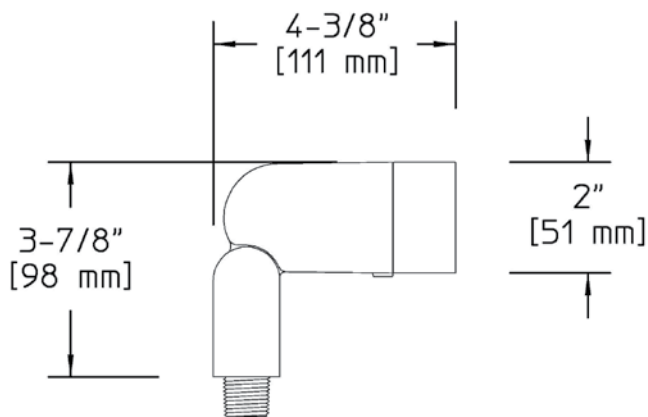


Project: \_\_\_\_\_  
 Location: \_\_\_\_\_  
 Cat.No: \_\_\_\_\_  
 Type: \_\_\_\_\_  
 Lamps: \_\_\_\_\_ Qty: \_\_\_\_\_  
 Notes: \_\_\_\_\_



### Ordering Guide

Example: BL711 A S7 LED2W

<b>Product Code</b>	BL711	LED Aluminum Mini-Accent
<b>Finish</b>	A H	Black Bronze
<b>Mounting</b>	S7	Mounting Stake
<b>LED</b>	LED2W	LED Lamp

### Specifications

#### HOUSING:

Die-cast aluminum. Double gasketed shroud, die-cast aluminum. Fully-adjustable swivel arm with vibration-proof locking teeth. 1/2" NPS male threads to screw onto accessory mounting stake or junction box, sold separately. Fasteners are 300 series stainless steel.

#### FINISH:

Thermoset polyester powdercoat is electrostatically applied after a five-stage conversion cleaning process and bonded by heat fusion thermosetting. Laboratory tested for superior weatherability and fade resistance in accordance with ASTM B117 specifications.

#### OPTICAL ASSEMBLY:

Clear tempered glass lens.

#### LAMPING:

Lamp is included with fixture. Philips 12V LED 1.2W Capsule lamp. Up to 88% energy savins when compared to a 10W Capsule halogen lamp. Long lifetime of 15,000 hours (B50,L70). Operating temperature range is between -20C and 35C (ambient). Suitable for use in enclosed luminaires where the case temperature (Tc) remains below Tc MAX. Total Lumens = 105lm Lower wattage lamps are acceptable.

#### ELECTRICAL ASSEMBLY:

Bi-pin socket type (G4) with 250° C high temperature teflon coated wire leads. 12 Volt fixture is pre-wired with 3-ft pigtail of 18-2 AWG, 105° C, SPT-1W wire. Low voltage quick connector, catalog #LVC3 included for easy hook-up to the low voltage supply cable, not included. 12 Volt system requires remote transformer, not included.

#### WARRANTY:

Five-year limited warranty.

#### CERTIFICATIONS:

ETL listed to U.S. safety standards for wet locations. cETL listed to Canadian safety standards for wet locations. Manufactured to ISO 9001:2008 Standards.

#### Width:

2" (51mm)

#### Depth:

4 3/8" (111mm)

#### Max. Weight:

0.85 lb

