



Calculite LED 6" generation 3 features industry leading visual comfort and excellent uniform illumination over time.

Project: \_\_\_\_\_  
 Location: \_\_\_\_\_  
 Cat.No: \_\_\_\_\_  
 Type: \_\_\_\_\_  
 Lamps: \_\_\_\_\_ Qty: \_\_\_\_\_  
 Notes: \_\_\_\_\_

**Standard luminaire:** Order without BAC option code.

**Buy American Act of 1933 (BAA)<sup>6</sup> Compliant luminaire:** Order with BAC option code.

### Fixture

**standard example:** C6SDL15835MZ10UCCW **BAC example:** C6SDL15835MZ10UCCW-BAC

Series	Mounts	Styles	Lumens	CRI	CCT	Beams	Dimming	Voltage	Reflector finish	Cylinder finish	Buy American
<b>C6</b>											
C6 Calculite LED 6"	S Surface W Wall P Pendant <sup>1</sup>	DL Downlight	10 1000	8 80	27 2700	N Narrow	D Dali <sup>3</sup> L Lutron LDE1 EcoSystem (fade-to-black) <sup>3</sup> Z100-10V 1% SOL EldoLED Solo 0-10V 0.1% <sup>3</sup> DMX Digital Multiplex <sup>3</sup>	U Universal 120V/277V	CL Specular clear CC Comfort clear CD Comfort clear diffuse CZ Champagne bronze BK Black (matte)	W White (matte) B Black (matte) A Aluminum RAL RAL Color <sup>5</sup> (standard code)	BAC Meets requirements of the Buy American Act of 1933 (BAA) <sup>6</sup>
		DW Double Wall Wash <sup>2</sup>	15 1500 20 2000 25 2500 35 3500 48 4800 <sup>3</sup> 60 6000 <sup>3</sup>	9 90 30 3000 35 3500 40 4000	M Medium W Wide <sup>2</sup>	ELV ELV <sup>4</sup> (120V only dimming)					

### Pendant accessories (field adjustable)<sup>1</sup> example: CASK36BK

Series	Mounts	Length	Finish	Options
<b>CA</b>				
CA Calculite Accessory	SK Stem Kit	36 36 inches 48 48 inches 60 60 inches 72 72 inches	WH White (matte) BK Black (matte) AL Aluminum RAL RAL Color <sup>5</sup> (standard code)	X for DMX dimming only
	CK Cable Kit <sup>7</sup>	10 120 inches	WH White (matte) BK Black (matte) AL Aluminum RAL RAL Color <sup>5,8</sup> (standard code)	-

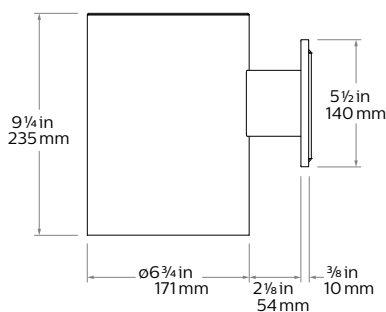
### Accessories (not currently BAA-compliant)

**SBA Interact Ready System Bridge Accessory**  
 (refer to Philips System Bridge Accessory spec sheet for options and details)<sup>9</sup>

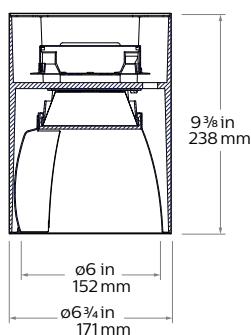
- Pendant (P) option needs to be ordered with an accessory.
  - Wall Wash (WW) and Double Wall Wash (DW) are only available with Wide (W) beam.
  - Lutron (L), Dali (D), EldoLED Solo (SOL), and Digital Multiplex (DMX) are only available up to 3500lm (35) configurations.
  - ELV (ELV) dimming is only compatible with up to 2500lm (25) configurations.
  - RAL standard colors can be specified upon request. Add RAL standard code to (RALxxxx).
  - Failure to properly select the "BAC" suffix could result in you receiving product that is not BAA compliant product with no recourse for an RMA or refund. This BAC designation hereunder does not address (i) the applicability of, or availability of a waiver under, the Trade Agreements Act, or (ii) the "Buy America" domestic content requirements imposed on states, localities, and other non-federal entities as a condition of receiving funds administered by the Department of Transportation or other federal agencies.
  - Digital Multiplex (DMX) dimming is not compatible with the Cable Kit (CK) accessory.
  - RAL cable canopy kit will be with black cord.
  - Requires IRT9015 IR remote & Interact Pro App for commissioning.
- Note:** Consult factory for Wood ceiling installation.

### Dimensions

#### Wall mount

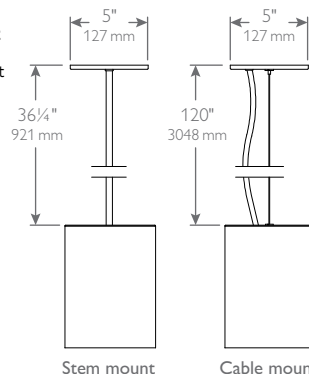


#### Surface mount



#### Pendant mount

Order the Pendant mount cylinder and select the stem or cable kit.



# C6 Calculite LED 6" gen 3

## Cylinder

### Cylinder

**Cylinder housing:** Cast aluminum, available for installation onto a 3" or 4" junction box, stem, cable, or wall mounted.

**Surface mounting (C6S):** Mounts directly to junction box. Listed for wet location use.

**Pendant mounting (C6P):** Order with the stem or cable kit. Listed for damp location use.

**Wall Mounting (C6W):** Pre-attached hardware allows for simple installation into wall mounted junction box. Listed for damp location use.

### Pendant accessories

**Stem mounting kit:** 0.375" diameter steel stem (1/8" National Pipe Thread, can be field cut to required length. 5-wire conductor cable runs alongside of stem for power and dimming. Magnetic attachment of canopy to junction box provides clean look free of hardware. Self-aligning swivel mounting system ensures cylinder hangs straight down. Stem can be cut in field for length adjustment. A 1/8" hole is required to reconnect the pendant stem to the canopy swivel. Swivel accommodates maximum 45° pitch.

**Cable mounting kit:** 10' long steel cable with 5-wire cable for power and dimming. Hardware free canopy for clean aesthetics.

### Drivers

- Advance 0-10V 1% dimming
- Lutron Hi-lume EcoSystem H Series 1% dimming
- EldoLED ECOdrive Dali 1% dimming
- EldoLED SOLOdrive 0-10V 0.1% dimming
- ELV dimming

### Optical systems

**Comfort throughout the space:** Patented optical system combines primary and secondary optics to provide a true 50° physical cutoff and 45° reflected cutoff virtually eliminating the view of the light source and bright spots in the reflector. A new reflector curve reduces reflector brightness by up to 50% compared to existing products, allowing for the use of higher lumen packages in smaller apertures without creating bright spots in the ceiling.

**Quality of light:** 2 SDCM ensures color consistency from fixture to fixture and over the luminaire's long lifetime. Proprietary optical grade silicone lens with patterned surface provides soft, even beam diffusion without hotspots or dark rings.

### ENERGY STAR® exceptions

- 90 CRI configurations
- Champagne Bronze and Black finishes
- EldoLED Solo drivers

### Labels and Listings

- cULus listed for wet locations (surface mount)
- cULus listed for damp locations (wall and pendant mount)
- ENERGY STAR® certified
- RoHS certified

### Warranty

5 year warranty on complete system.



Complete warranty available at: [http://images.philips.com/is/content/PhilipsConsumer/PDFDownloads/United%20States/ODL120150930\\_003-UPD-en\\_US-Philips-warranty-indoor-PLS-us.pdf](http://images.philips.com/is/content/PhilipsConsumer/PDFDownloads/United%20States/ODL120150930_003-UPD-en_US-Philips-warranty-indoor-PLS-us.pdf)

### Narrow (0-10V)

Lumen package	Input volts	Input freq	Input current	Drive current	Input power	THD power	Power factor
1000lm	120V	50/60Hz	0.08	230 mA	9W	<15%	>0.95
	277V		0.04			<20%	>0.90
1500lm	120V	50/60Hz	0.11	340 mA	15W	<10%	>0.95
	277V		0.05			<15%	>0.95
2000lm	120V	50/60Hz	0.16	460 mA	22W	<10%	>0.95
	277V		0.08			<15%	>0.95
2500lm	120V	50/60Hz	0.20	590 mA	25W	<10%	>0.95
	277V		0.10			<15%	>0.95
3500lm	120V	50/60Hz	0.30	900 mA	36W	<10%	>0.95
	277V		0.14			<15%	>0.95
4800lm	120V	50/60Hz	0.42	1250 mA	51W	<10%	>0.95
	277V		0.19			<15%	>0.95
6000lm	120V	50/60Hz	0.48	1400 mA	57W	<10%	>0.95
	277V		0.21			<15%	>0.95

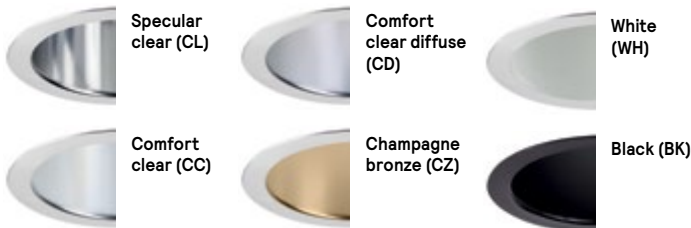
### Medium/Wide (0-10V)

Lumen package	Input volts	Input freq	Input current	Drive current	Input power	THD power	Power factor
1000lm	120V	50/60Hz	0.08	210 mA	9W	<15%	>0.95
	277V		0.04			<20%	>0.95
1500lm	120V	50/60Hz	0.11	320 mA	15W	<10%	>0.95
	277V		0.05			<15%	>0.95
2000lm	120V	50/60Hz	0.15	430 mA	19W	<10%	>0.95
	277V		0.07			<15%	>0.95
2500lm	120V	50/60Hz	0.19	550 mA	23W	<10%	>0.95
	277V		0.09			<15%	>0.95
3500lm	120V	50/60Hz	0.25	570 mA	30W	<10%	>0.95
	277V		0.11			<15%	>0.95
4800lm	120V	50/60Hz	0.36	810 mA	40W	<10%	>0.95
	277V		0.16			<15%	>0.95
6000lm	120V	50/60Hz	0.50	1130 mA	57W	<10%	>0.95
	277V		0.22			<15%	>0.95

### Lifetime (TM-21) data

Lumens	Narrow beam	Medium/Wide beam
1000lm 1500lm 2000lm	L90 @ 60,000 hrs.	L90 @ 60,000 hrs.
2500lm 3500lm 4800lm 6000lm	L90 @ 60,000hrs.	L85 @ 60,000hrs.

### Reflector

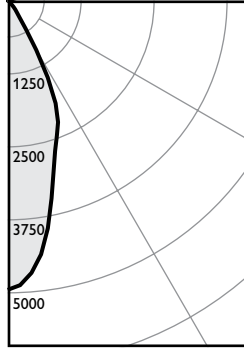


# C6 Calculite LED 6" gen 3

## Cylinder

### Narrow beam, 2500lm Engine, 103.0 lm/W

#### Candela Curve



Cylinder: **C6SDL25835NZ10UCLW**

Output lumens: 2462 lms  
 Input watts: 23.9 W  
 CRI: 80 min  
 CCT: 3500K  
 Spacing Crit.: 0.6  
 Beam Angle: 40°

#### Zonal summary

Zone	Lumens	%Luminaire
0-30	2113	85.8%
0-40	2383	96.8%
0-60	2459	99.9%
0-90	2462	100.0%

Angle	Mean CP	Lumens
0	4938	
5	4667	423
10	3948	
15	3027	856
20	2456	
25	1936	834
30	977	
35	352	270
40	205	
45	87	72
50	13	
55	4	4
60	3	
65	2	2
70	1	
75	1	1
80	0	
85	1	0
90	0	

#### Single unit data

Height to lighted plane	Initial center beam foot-candles	Beam diameter (ft)*
5'	198	3.0'
6'	137	3.6'
7'	101	4.2'
8'	77	4.8'
9'	61	5.4'

\* Beam diameter is where foot-candles drop to 50% of maximum.

#### Multiple unit data - RCR 2

Spacing on center	Initial center beam foot-candles	Watts per sq. ft.
5'	114.3	1.06
6'	75.0	0.70
7'	53.6	0.50
8'	44.7	0.41
9'	35.7	0.33

38' x 38' x 10' Room, Workplane 2.5' above floor, 80/50/20% Reflectances

Efficacy: 103.0 lm/w  
 Report#: F37145

#### Adjustment factors

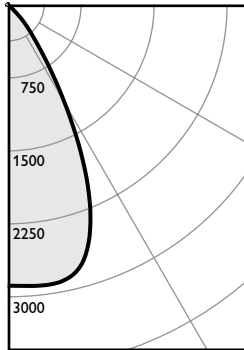
Finish	CCT	Lumens
CL = 100%	80CRI 4000K = 103%	6000lm = 202%
CC = 95%	80CRI 3500K = 100%	4800lm = 192%
CD = 87%	80CRI 3000K = 95%	3500lm = 140%
CZ = 63%	80CRI 2700K = 93%	2500lm = 100%
WH = 87%	90CRI 3000K = 83%	2000lm = 80%
BK = 57%	90CRI 2700K = 78%	1500lm = 60%
		1000lm = 40%

#### Coefficients of utilization

Ceiling	80%				70%		50%		30%		0%	
	70	50	30	10	50	10	50	10	50	10		
Wall	70	50	30	10	50	10	50	10	50	10	0	
RCR	Zonal cavity method - Effective floor reflectance = 20%											
Room Cavity Ratio	0	119	119	119	119	116	116	111	111	106	106	100
	1	114	112	109	107	110	106	105	102	102	99	95
	2	109	105	101	98	103	97	100	95	97	93	90
	3	105	99	95	91	98	90	95	89	93	88	85
	4	100	94	89	85	93	85	90	84	88	83	80
	5	96	89	84	80	88	79	86	79	84	78	76
	6	92	84	79	75	83	75	82	74	81	74	72
	7	88	80	75	71	79	71	78	71	77	70	69
	8	85	76	71	67	76	67	75	67	74	67	65
	9	81	73	68	64	72	64	72	64	71	64	62
	10	78	70	65	61	69	61	68	61	68	61	59

### Medium beam, 2500lm Engine, 115.2 lm/W

#### Candela Curve



Cylinder: **C6SDL25835MZ10UCLW**

Output lumens: 2454 lms  
 Input watts: 21.3 W  
 CRI: 80 min  
 CCT: 3500K  
 Spacing Crit.: 0.8  
 Beam Angle: 55°

#### Zonal summary

Zone	Lumens	%Luminaire
0-30	1896	77.2%
0-40	2319	94.5%
0-60	2450	99.8%
0-90	2454	100.0%

Angle	Mean CP	Lumens
0	2886	
5	2900	277
10	2903	
15	2809	777
20	2472	
25	1880	842
30	1178	
35	644	423
40	347	
45	153	124
50	23	
55	6	8
60	4	
65	3	3
70	2	
75	1	1
80	1	
85	1	0
90	0	

#### Single unit data

Height to lighted plane	Initial center beam foot-candles	Beam diameter (ft)*
5'	115	4.0'
6'	80	4.8'
7'	59	5.6'
8'	45	6.4'
9'	36	7.2'

\* Beam diameter is where foot-candles drop to 50% of maximum.

#### Multiple unit data - RCR 2

Spacing on center	Initial center beam foot-candles	Watts per sq. ft.
5'	112.7	0.94
6'	74.0	0.62
7'	52.8	0.44
8'	44.0	0.37
9'	35.2	0.30

38' x 38' x 10' Room, Workplane 2.5' above floor, 80/50/20% Reflectances

Efficacy: 115.2 lm/w  
 Report#: F37135

#### Adjustment factors

Finish	CCT	Lumens
CL = 100%	80CRI 4000K = 102%	6000lm = 240%
CC = 95%	80CRI 3500K = 100%	4800lm = 192%
CD = 87%	80CRI 3000K = 97%	3500lm = 140%
CZ = 63%	80CRI 2700K = 87%	2500lm = 100%
WH = 87%	90CRI 3000K = 77%	2000lm = 80%
BK = 57%	90CRI 2700K = 73%	1500lm = 60%
		1000lm = 40%

#### Coefficients of utilization

Ceiling	80%				70%		50%		30%		0%	
	70	50	30	10	50	10	50	10	50	10		
Wall	70	50	30	10	50	10	50	10	50	10	0	
RCR	Zonal cavity method - Effective floor reflectance = 20%											
Room Cavity Ratio	0	119	119	119	119	116	116	111	111	106	106	100
	1	114	111	109	107	109	105	105	102	101	99	94
	2	108	104	100	97	102	96	99	94	96	92	88
	3	103	97	92	89	96	88	93	87	91	85	82
	4	98	91	86	82	90	81	88	80	86	79	77
	5	94	86	80	76	85	76	83	75	81	74	72
	6	89	81	75	71	80	71	78	70	77	70	68
	7	85	76	70	66	76	66	74	66	73	66	64
	8	81	72	66	62	71	62	70	62	69	62	60
	9	77	68	63	59	68	59	67	58	66	58	57
	10	74	65	59	55	64	55	63	55	63	55	54

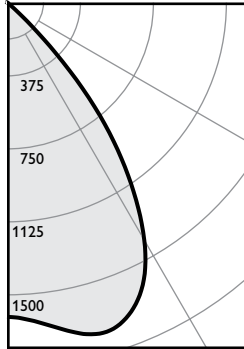
1. Correlated Color Temperature within specs as defined in ANSI\_NEMA\_ANSLG C78.377-2008: Specifications for the Chromaticity of Solid State Lighting Products.  
 2. Tested using absolute photometry as specified in LM79: IESNA Approved Method for the Electrical and Photometric Measurements of Solid-State Lighting Products.

# C6 Calculite LED 6" gen 3

## Cylinder

### Wide beam, 2500lm Engine, 108.3 lm/W

#### Candela Curve



Cylinder: **C6SDL25835WZ10UCLW**

Output lumens: 2307 lms  
 Input watts: 21.3 W  
 CRI: 80 min  
 CCT: 3500K  
 Spacing Crit.: 1.1  
 Beam Angle: 72°

#### Zonal summary

Zone	Lumens	%Luminaire
0-30	1394	60.4%
0-40	2059	89.2%
0-60	2302	99.8%
0-90	2307	100.0%

Angle	Mean CP	Lumens
0	1612	
5	1641	159
10	1705	
15	1760	495
20	1740	
25	1629	740
30	1408	
35	1083	665
40	700	
45	270	232
50	39	
55	9	12
60	5	
65	3	3
70	2	
75	1	1
80	1	
85	1	1
90	0	

#### Single unit data

Height to lighted plane	Initial center beam foot-candles	Beam diameter (ft)*
5'	64	5.5'
6'	45	6.6'
7'	33	7.7'
8'	25	8.8'
9'	20	9.9'

\* Beam diameter is where foot-candles drop to 50% of maximum.

#### Multiple unit data - RCR 2

Spacing on center	Initial center beam foot-candles	Watts per sq. ft.
5'	104.1	0.94
6'	68.3	0.62
7'	48.8	0.44
8'	40.7	0.37
9'	32.5	0.30

38' x 38' x 10' Room, Workplane 2.5' above floor, 80/50/20% Reflectances

Efficacy: 108.3 lm/w  
 Report#: F37140

#### Adjustment factors

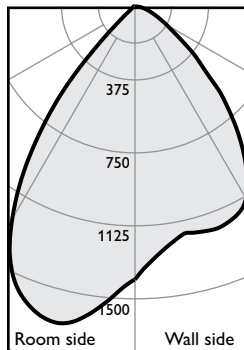
Finish	CCT	Lumens
CL = 100%	80CRI 4000K = 102%	6000lm = 240%
CC = 95%	80CRI 3500K = 100%	4800lm = 192%
CD = 87%	80CRI 3000K = 97%	3500lm = 140%
CZ = 63%	80CRI 2700K = 87%	2500lm = 100%
WH = 87%	90CRI 3000K = 77%	2000lm = 80%
BK = 57%	90CRI 2700K = 73%	1500lm = 60%
		1000lm = 40%

#### Coefficients of utilization

Ceiling	80%		70%		50%		30%		0%	
	70	50	30	10	50	10	50	10	50	10
Wall	70	50	30	10	50	10	50	10	50	10
RCR	Zonal cavity method - Effective floor reflectance = 20%									
Room Cavity Ratio	0	119	119	119	116	116	111	111	106	106
	1	113	110	108	105	108	104	104	100	97
	2	107	102	98	94	100	93	97	91	89
	3	101	94	89	85	93	84	90	83	81
	4	95	87	81	77	86	76	84	76	72
	5	90	81	75	70	80	70	78	69	66
	6	85	75	69	64	75	64	73	64	61
	7	80	70	64	59	70	59	68	59	57
	8	76	66	59	55	65	55	64	54	52
	9	72	61	55	51	61	51	60	50	49
	10	68	57	51	47	57	47	56	47	45

### Wall Wash, 2500lm Engine, 103.5 lm/w

#### Candela Curve



Cylinder: **C6SWW25835WZ10UCLW**

CCT: 3500K  
 Output lumens: 2204 lms  
 Input watts: 21.3 W  
 CRI: 80 min

Efficacy: 103.5 lm/w  
 Report#: F37141

#### Multiple unit data

Footcandles on wall

Distance from ceiling in feet	2' from wall		
	3' on ctr.	3' on ctr.	3' on ctr.
1	33	24	33
2	61	44	61
3	58	60	58
4	46	49	46
5	37	37	37
6	28	29	28
7	23	23	23
8	19	19	19
9	16	16	16
10	14	14	14
12	12	12	12
14	10	10	10

#### Multiple unit data

Footcandles on wall

Distance from ceiling in feet	3' from wall		
	3' on ctr.	3' on ctr.	3' on ctr.
1	15	15	15
2	26	26	26
3	37	37	37
4	40	42	40
5	38	38	38
6	33	33	33
7	28	28	28
8	24	24	24
9	20	20	20
10	18	18	18
12	14	15	14
14	13	12	13

#### Multiple unit data

Footcandles on wall (shown above)

Distance from ceiling in feet	3' from wall		
	4' on ctr.	4' on ctr.	4' on ctr.
1	13	11	13
2	22	18	22
3	31	26	31
4	31	32	31
5	28	30	28
6	25	26	25
7	21	22	21
8	18	18	18
9	16	16	16
10	14	14	14
12	11	11	11
14	10	10	10

#### Adjustment factors

Finish	CCT	Lumens
CL = 100%	80CRI 4000K = 102%	6000lm = 202%
CC = 95%	80CRI 3500K = 100%	4800lm = 192%
CD = 87%	80CRI 3000K = 97%	3500lm = 140%
CZ = 63%	80CRI 2700K = 87%	2500lm = 100%
WH = 87%	90CRI 3000K = 77%	2000lm = 80%
BK = 57%	90CRI 2700K = 73%	1500lm = 60%
		1000lm = 40%

1. Correlated Color Temperature within specs as defined in ANSI\_NEMA\_ANSLG C78.377-2008: Specifications for the Chromaticity of Solid State Lighting Products.
2. Tested using absolute photometry as specified in LM79: IESNA Approved Method for the Electrical and Photometric Measurements of Solid-State Lighting Products.

