

LIGHTOLIER

by  Signify

Downlighting

IS:C2LIC

Calculite 2.0in. Aperture Insulated Ceiling Frame-in Kit

Read and understand these instructions before installing fixture.



This fixture is intended for installation in accordance with the National Electrical Code and local regulations. To assure full compliance with local codes and regulations, check with your local electrical inspector before installation. To prevent electrical shock, turn off electricity at fuse box before proceeding.

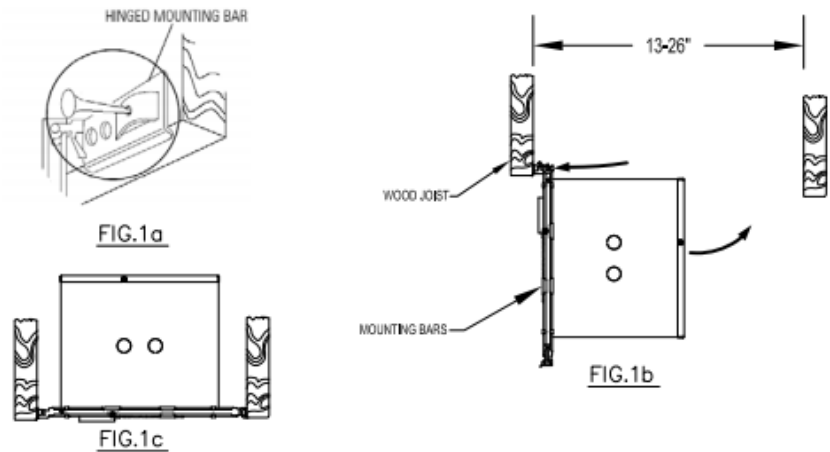
Retain these instructions for maintenance reference

<p>Items needed for Installation</p> <ol style="list-style-type: none"> 1. C2LIC 2. Wire nuts 3. Philips head screwdriver 	<p>CAUTION</p> <p>Use only reflector trims and provided by Lightolier. Use of other manufacturers' trims or accessories may void the Underwriters Laboratories listing and could constitute a fire hazard.</p>
--	---

This guide contains information on the Installation and use of your new solid state luminaire frame-in kit. Please save this Instruction sheet for future reference.

Installation

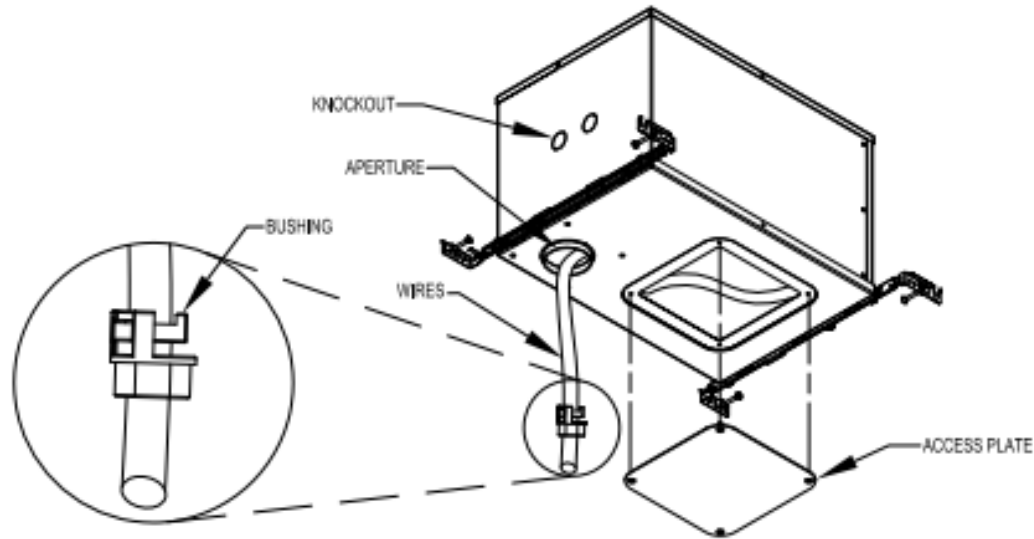
To install C2LIC in wood joist ceilings bend hinged mounting bars as shown in figure 1a. Using the supplied screws attach to the wood joist. Swing C2LIC up 90 degrees and repeat attachment into adjacent joist as shown in figure 1b. When finished C2LIC should be secured in ceiling as shown in figure 1c.



NOTE: To insure proper installation it is important the mounting frame always be secured to structural ceiling members

IS:C2LIC**Calculite 2.0in. Aperture Insulated Ceiling Frame-in Kit**Wiring

C2LIC has four ½” trade size knockouts (two per side) Remove the access plate via the four retaining screws. This allows for the inside of the C2LIC to be accessed and aid in feeding the wires from the knockout to the 2” aperture. Guide wires out of aperture (12-24”) and ratchet Heyco bushing (Part #1280), provided with C2LIC, onto wires for later installation of C2 Series Frame-in Kit. Leave about 4” of wire after the bushing. This is critical as the C2 series Frame-In Kits must be wired below ceiling after ceiling installation. Finally screw access plate back onto C2LIC to complete installation. If access plate screws become stripped in field, apply caulk to access plater border to re-establish seal.



CAUTION: To reduce risk of electric shock wires must be capped and not energized.

