



With **FloatPlane**, it's easier than ever to integrate sleek and sporty style into your layout and within budget. Fresh and playful, with Curve and Edge profile options, FloatPlane's performance rivals that of high-end LED luminaires with affordability to fit your budget.

Project: _____
 Location: _____
 Cat.No: _____
 Type: _____
 Line ID: _____ Qty: _____
 Notes: _____

Ordering guide

example: 24G8LEBAA087DSWNCS, A2-24

Family	Version	Source	CRI/CCT ¹	Lumens ¹	Optics	Distribution	Run Length	
24		L			A			
24	G8 Edge Wall	L LED	A 80CRI/4000K	D 80CRI/2700K	C 4200 lm/4ft	A Acrylic Diffuser	A Acrylic Diffuser	O4 4ft
	R8 Curve Wall		B 80CRI/3500K	E 80CRI/5000K	E 3100 lm/4ft		D 45% Down Kit	O6 6ft
			C 80CRI/3000K	S 90CRI/3500K	G 2200 lm/4ft	G 75% Down Kit	O8 8ft	
			2 CRI 80, 2700-6500K 2ch Tunable White (confirm controls) ^{5,11}			H 90% Down Kit	xx Continuous Run (2ft increments)	
						J 100% Down Kit		

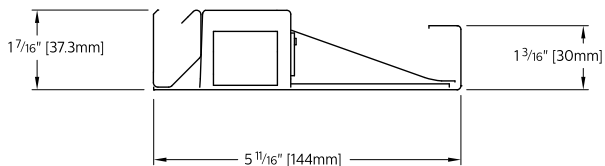
Wiring Option ^{2,7}	Voltage	Driver	Finish	Option	System / Controls ⁹
7 Single Circuit	D UNV 120-277V	E Advance Xitanium 0-10V (1% Dim)	W Standard White	N None	NN None
E Dual Circuit A/B (Alt. 4' Sections)	3 347V ³		T Titanium Silver		
M Single Circuit + Auxiliary Wiring ⁶	D UNV 120-277V	D Advance Xitanium DALI (5% Dim) ³	B Black		
N Single Circuit + Battery Pack ³	D UNV 120-277V	H Lutron EcoSystem LDE1 (<1% Dim, Fade-to-Black) ^{3,12}	P Pacific Aqua		VR Lutron Vive Integral Fixture Control (RF only) - DFCSJ-OEM-RF ^{4,12}
			Y Surf Yellow		NN None
			F Factory Color ⁸		RA Interact Pro RF sensor, enables wireless connected lighting control ⁴
			C Custom		VR Lutron Vive Integral Fixture Control (RF only) - DFCSJ-OEM-RF ⁴
7 Single Circuit	D UNV 120-277V	S Advance Xitanium SR (1% Dim) ³			
N Single Circuit + Battery Pack ³					
R Single Circuit + UL924 Sensor Bypass Relay ¹⁰					

- Nominal values within a range. Consult photometry data for CRI, color temp, lumens & distribution of chosen configuration. Down kits reduce optical efficiency.
 - Not all wiring types are available with all configurations. Consult Ledalite for a complete list of available options.
 - 347V not available with Battery Pack, DALI, Lutron EcoSystem or Sensor Ready drivers or Interact Pro or Vive options.
 - Interact options require separate controls hardware by Signify. Vive option requires separate controls hardware by Lutron.
 - Tunable White is available. Please enquire about Engineered-to-Order (ETO) options for Tunable White with DALI (DT6 or DT8), 0-10V, or DMX control.
 - Auxiliary Wiring not available with Interact Pro, Interact Office Wired or Vive luminaires.
 - Luminaires are pre-wired to both ends with quick wire connectors at one end for standard circuit & battery pack trigger wire (if applicable). Each circuit has its own neutral conductor. All circuits are clearly labelled at each end. Thru Wire options can provide either one additional set of (4) power and dimming wires (Black/White/Purple/Grey) or one additional battery pack trigger wire (orange) through a selected module, please consult factory for other Thru Wire options.
 - Factory Color includes premium finishes from other Ledalite product families such as those available with EyeLine and Modify. Options are shown on page 4. Please specify exact finish when ordering.
 - Sensors are only available in white, but can be combined with any luminaire finish. Other third party sensors also available, please enquire about options for Lutron Athena, or others.
 - UL924 listed sensor bypass relay is factory installed between driver & sensor. Must be ordered with an integral sensing option. Must be installed in conjunction with a UL1008 device.
 - This option is qualified as Engineered-to-Order (ETO) ready. Other options not shown here may be possible via an ETO request. Lead times and minimum order quantities may vary, please consult factory.
 - When selecting a Lutron Vive sensor in combination with the Lutron Ecosystem LDE1 driver, the luminaire will include a Lutron Fixture Control Digital Link Interface (DFC-OEM-DBI).
- Note:** Due to continuing product improvements, Ledalite reserves the right to change the specifications without notice.

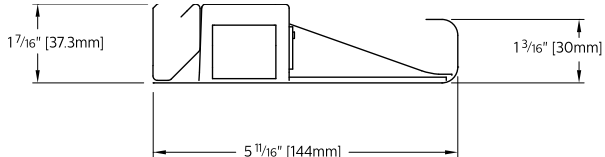
FloatPlane wall

Cross Section View

Edge

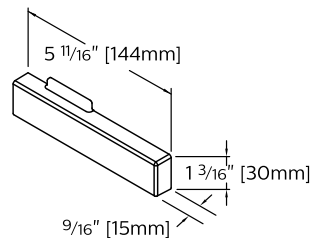


Curve

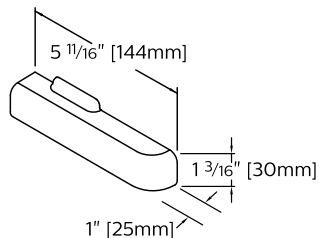


Cross Section View – Endcaps

Edge

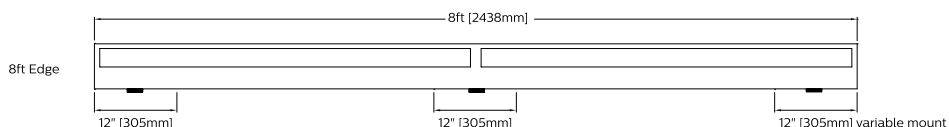
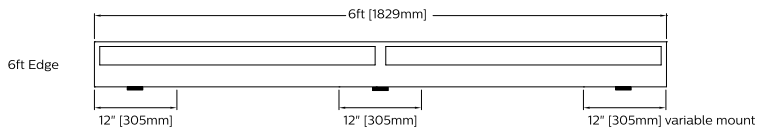
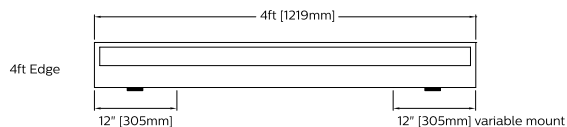


Curve

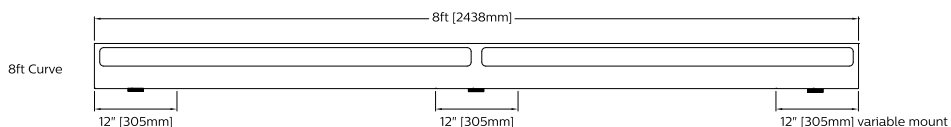
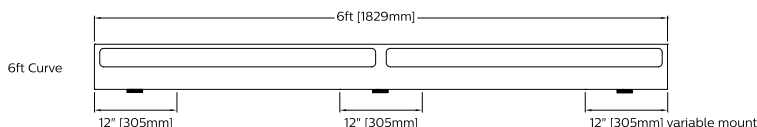
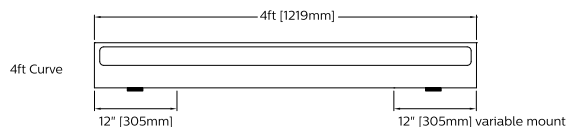


Module Details & Dimensions

Edge



Curve



Finish Options



White

Titanium Silver



Black

Graphite Grey



Surf Yellow

Pacific Aqua



Racing Red

Hero Gold (Gloss)



Silver Nova (Gloss)

Venom Black (Textured)



Custom

FloatPlane wall

Specifications

Optical System

White light emitted from a single linear array of lateral facing LEDs is diffused and redirected into the upper and lower hemispheres with a combination of high reflectivity elements and acrylic diffusers. This delivers a highly efficient 70% up / 30% down indirect/direct distribution with a wide, asymmetric distribution in the upper hemisphere. A polymer diffuser on the lower surface with an optical aperture of 2-1/4" delivers a uniform, controlled brightness, maximizing visual comfort and luminaire efficacy. Factory or field installable variable optics kits are available to modify the distribution to 45%, 75%, 90% or close to 100% down light. Field installable dust covers are available for suspended versions.

Housing

Precision formed 18 gauge cold-rolled steel.
Approx. cross section size: 1.2" h x 5.7" w

Endcaps

Diecast aluminum endcaps in either Edge or Curve versions to match housing.

Finish

High quality powder coated, available in standard Matte White, Black, Titanium Silver, or Graphite Grey. Other premium factory colors such as Pacific Aqua, Surf Yellow, Racing Red, Hero Gold, Silver Nova and Venom Black are available for a small per ft. upcharge. FloatPlane can also be specified in any custom color upon request for a one-time setup charge. Finishes other than standard white can result in up to 15% drop in efficacy. Optional sensors (such as SpaceWise and Interact) available in white only.

Mounting

Wall: A hidden steel rail and bracket system attaches to the existing structure and supports housings close to the wall. Mount positioning is fully variable along the modules to accommodate site conditions, spaced up to 4-1/2' on center and within 12" of an end or joint.

Joints

Self-aligning, gasketed joining system. Access panels in the driver channel allow quick and hassle-free wiring of modules either before or after mechanical joints are completed.

Weight

Maximum 3.3lb/ft.

Electrical

Fixtures are factory pre-wired to section ends with quick-wire connectors and tested for all circuits and backup battery packs. LED boards and drivers are easily field replaceable with access from below the ceiling.

Standard Drivers

Advance Xitanium 0-10V, 1% Dimming.
Advance Xitanium DALI, 5% Dimming.
Advance Xitanium Sensor Ready, 1% Dimming.
Lutron EcoSystem LDE1, 1% Dimming with Soft-On and Fade-to-Black.
Class 2 rated output. Consult Ledalite for other available drivers.

Standard Battery Packs

Bodine Battery Pack, 90 min, 10W, Class 2 rated output.
Lumen output = 10W x luminaire efficacy x 1.1. Typical output ~1200lm.

Lumen Maintenance

LEDs have been tested by the manufacturer in accordance with IESNA LM-80-15. At an ambient temperature of 25°C, the LED lumen maintenance expectation according to IES TM-21-11 is:

$L_{90}(10k) > 60,000$ hours (Reported methodology).

Source Color

LEDs rated for color rendering of:

$CRI R_9 \geq 80, R_g \geq 0$
 $CRI R_f \geq 90, R_g \geq 50, G_a \geq 97, C_g \geq 90$
IES TM-30-18 : $R_f \geq 90, R_{f,h1} \geq 89, R_g \geq 99, R_{cs,h1} \geq -5\%$

SPD and TM-30-18 reports available upon request

Fixture to fixture color accuracy within:

2 SDCM for Static White luminaires
3 SDCM for Tunable White luminaires

Approvals

Certified to UL, IES & CSA Standards.

Complies in accordance with CAN ICES-005-A/NEB-005-A & FCC Part 15-A.

Certain suspended versions without battery packs are DesignLights Consortium® qualified. Please see the DLC QPL list for exact catalog numbers.

www.designlights.org/QPL

Environment

Rated for dry or damp locations in operating ambient temperatures of 0-25°C (32-77°F).

Many luminaire components, such as reflectors, refractors, lenses, and LEDs are made from various types of plastics which can be adversely affected by airborne contaminants. If sulfur-based chemicals, petroleum-based products, cleaning solutions, or other contaminants are expected in the intended area of use, consult factory for compatibility. Damage caused by sulfur, chlorine, petroleum-based solution, or other contaminants are not covered under warranty. Not suitable for natatorium environments.

Warranty

Five-year luminaire limited warranty including LED boards and driver:

www.signify.com/warranties

FloatPlane wall

Wireless Controls Options

Radio only sensor (RA):

- Integral RADIO only sensor simply enables wireless mesh connectivity to the luminaire without any occupancy or daylight sensing.
- Ideal for applications where sensing functionality is managed by other Interact devices and the luminaire only needs to have wireless connectivity.
- Interact Pro includes an App, a portal and a broad portfolio of wireless luminaires, lamps and retrofit kits all working on the same system.
- Startup is implemented via Interact Pro App (Android or iPhone) & Bluetooth connectivity. The App provides flexibility to choose between a gateway or non-gateway mode for setup.
- Setup with the gateway requires wired internet access to the gateway. It is possible to add a gateway at a later point.
- Prepare project configuration steps remotely, identify and group devices together onsite.
- Compatible with UID8451/10 wireless dimmer switch, SWS200 wireless scene switch, wireless Occ sensor (OCC SENSOR IA CM IP42 WH 10/1) and wireless Day/Occ sensor (OCC MULTI SENSOR IA CM WH 10/1).
- For more information on Interact Pro visit:
www.interact-lighting.com/interactproscalablesystem

Emergency Options (R):

- Power Sensing (Factory default) – Recommended
- UL924 option requires unswitched power sense line, absence of voltage on the normal circuit triggers luminaire to 100% output.
- Power Interruption Detection (Field option)
- Detects AC power interruption >30ms triggers 90 minute emergency mode with luminaire at 100% output.

Wired Controls Options

Tunable White:

- Tunable White is available. Control options for Tunable White with DALI (DT6 or DT8), 0-10V, or DMX control are available via an Engineered-to-Order (ETO) request.
- Signify tunable white solutions are designed to help maximize the influence of lighting on your daily life.
- Dynamic behaviors via scheduled lighting recipes mimicking daylight patterns or supporting biorhythms.
- Scene setting via lighting pre-sets based on various combinations of lighting color temperature and intensity.

FloatPlane wall

Functionalities overview

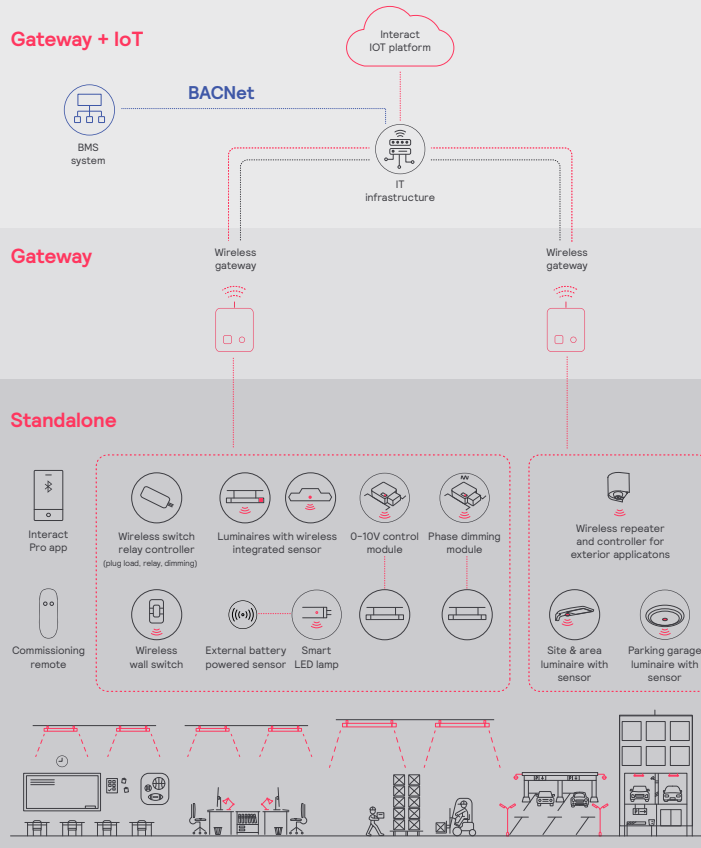
	The three tiers of Interact		
	Standalone	Gateway	Gateway + IoT
Dimming, grouping, and zoning	✓	✓	✓
Bluetooth and ZigBee enabled	✓	✓	✓
Motion sensing and daylight harvesting	✓	✓	✓
Integration with 0-10V and phase dimming fixtures	✓	✓	✓
Code compliance	✓	✓	✓
Granular dimming and dwell time	✓	✓	✓
New Correlated color temperature (CCT) tuning by switch	✓	✓	✓
New Support for sensor-based Tunable White luminaires	✓	✓	✓
Energy reporting and monitoring		✓	✓
Scheduling		✓	✓
Demand response		✓	✓
BMS integration (BACnet)			✓
Floor plan visualization			✓
IoT sensors for wellness			✓
IoT Apps for productivity			✓

Currently supported maximum system size

To be able to design the lighting system correctly for the customer, it is important to know the prime characteristics of the system, its possibilities and limitations.

System level	
Total number of gateways	Unlimited
Total number of devices	200 per network
• luminaires with integrated sensors	150
• smart TLEDs	150
Total number of ZGP devices (sensors and switches)	50
• sensors	30
• switches	50
• zones and groups	64
Group level	
Recommended number of lights	40 (recommended 25)
Number of ZGP devices	5
Number of scenes	16

Interact system architecture for office, education, healthcare, retail, industrial and parking applications



FloatPlane wall

Photometrics

Acrylic Diffusers (AA)

(Click "PDF" and "IES" text to Download)

Lumen Package	Nominal CRI & CCT	Flux (lm)	Watts (W)	Efficacy (LPW)	CRI	R9	RP-1 VDT	DLC	Photometry Report	IES File
4200 lm/4ft	80CRI, 4000K	4163	32.5	128.1	82	10	Critical spaces	N/A	PDF	IES
	80CRI, 3500K	4242	32.5	130.5	82	9	Critical spaces	N/A	PDF	IES
	80CRI, 3000K	4123	32.5	126.9	83	9	Critical spaces	N/A	PDF	IES
	90CRI, 3500K	4209	38.6	109.0	93	65	Critical spaces	N/A	PDF	IES
3100 lm/4ft	80CRI, 4000K	3042	24.0	126.8	82	10	Critical spaces	N/A	PDF	IES
	80CRI, 3500K	3100	24.0	129.2	82	9	Critical spaces	N/A	PDF	IES
	80CRI, 3000K	3013	24.0	125.5	83	9	Critical spaces	N/A	PDF	IES
	90CRI, 3500K	3097	28.0	110.6	93	65	Critical spaces	N/A	PDF	IES
2200 lm/4ft	80CRI, 4000K	2159	16.4	131.6	82	10	Critical spaces	N/A	PDF	IES
	80CRI, 3500K	2200	16.4	134.1	82	9	Critical spaces	N/A	PDF	IES
	80CRI, 3000K	2138	16.4	130.4	83	9	Critical spaces	N/A	PDF	IES
	90CRI, 3500K	2205	18.8	117.3	93	65	Critical spaces	N/A	PDF	IES

CANDELA DISTRIBUTION						Flux
	0	45	90	135	180	Lumens
0	208	208	208	208	208	
5	208	208	207	207	206	20
15	202	202	199	198	198	56
25	188	188	185	183	181	85
35	168	168	164	161	159	102
45	141	142	138	134	132	106
55	112	113	109	105	100	96
65	77	79	76	72	68	73
75	45	46	44	38	37	43
85	15	15	13	11	9	14
90	0	0	0	0	0	
95	157	133	25	9	3	68
105	717	419	81	45	44	231
115	792	565	130	75	70	292
125	769	598	175	110	101	293
135	727	566	209	147	134	260
145	644	502	233	186	169	208
155	527	422	249	220	206	146
165	403	341	258	242	235	83
175	287	280	262	254	251	26
180	263	263	263	263	263	

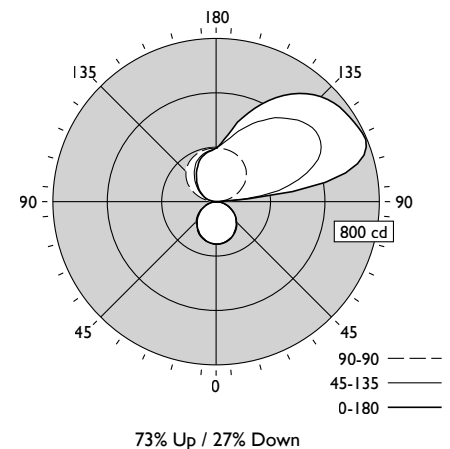
*Photometric data shown is for 2200 lm/4ft, 3500K, 80 CRI configuration.

COEFFICIENTS OF UTILIZATION (%)													
Pc---	80				70				50				0
Pw---	70	50	30	10	70	50	30	50	30	10	0	0	
RCR	0	102	102	102	102	91	91	91	71	71	71	27	
	1	93	88	84	81	82	79	76	62	59	57	22	
	2	84	77	71	66	75	69	64	54	50	47	19	
	3	77	67	60	55	68	60	54	47	43	40	16	
	4	70	59	52	46	62	53	47	42	37	34	13	
	5	64	53	45	39	57	47	41	37	32	29	12	
	6	59	47	39	34	52	42	36	33	28	25	10	
	7	54	42	35	29	48	38	31	30	25	22	9	
	8	50	38	31	26	45	35	28	27	23	19	8	
	9	47	35	28	23	42	31	25	25	20	17	7	
	10	43	32	25	20	39	29	23	23	18	15	6	

ZONAL LUMEN SUMMARY			
Zone	Lumens	%Fixture	%Lamp
0-30	161	7.3%	7.3%
0-40	263	12.0%	12.0%
0-60	464	21.1%	21.1%
0-90	595	27.0%	27.0%
90-130	884	40.2%	40.2%
90-150	1352	61.4%	61.4%
90-180	1606	73.0%	73.0%

Electrical				
Voltage (V)	Power (W)	Current (A)	THD (%)	Power factor
120	15.7	0.131	10.3	0.999
277	16.4	0.062	14.2	0.953
347V	16.5	0.050	11.3	0.959

AVG LUMINANCE (cd/m²)			
	0	90	180
0	3034	3034	3034
5	3044	3027	3012
15	3048	3001	2978
25	3020	2975	2914
35	2988	2913	2822
45	2897	2845	2707
55	2838	2767	2546
65	2656	2615	2346
75	2548	2452	2081
85	2539	2138	1453



AccuRender technology with CRI 90 available now, photometry coming soon.

FloatPlane wall

Photometrics

Acrylic Diffusers + 45% Down Kit (AD)

(Click "PDF" and "IES" text to Download)

Lumen Package	Nominal CRI & CCT	Flux (lm)	Watts (W)	Efficacy (LPW)	CRI	R9	RP-1 VDT	DLC	Photometry Report	IES File
4200 lm/4ft	80CRI, 4000K	3791	32.5	116.6	82	10	Normal spaces	N/A	PDF	IES
	80CRI, 3500K	3863	32.5	118.9	82	9	Normal spaces	N/A	PDF	IES
	80CRI, 3000K	3754	32.5	115.5	83	9	Normal spaces	N/A	PDF	IES
	90CRI, 3500K	3833	38.6	99.3	93	65	Normal spaces	N/A	PDF	IES
3100 lm/4ft	80CRI, 4000K	2770	24.0	115.4	82	10	Critical spaces	N/A	PDF	IES
	80CRI, 3500K	2823	24.0	117.6	82	9	Critical spaces	N/A	PDF	IES
	80CRI, 3000K	2743	24.0	114.3	83	9	Critical spaces	N/A	PDF	IES
	90CRI, 3500K	2821	28.0	100.8	93	65	Critical spaces	N/A	PDF	IES
2200 lm/4ft	80CRI, 4000K	1966	16.4	119.9	82	10	Critical spaces	N/A	PDF	IES
	80CRI, 3500K	2003	16.4	122.1	82	9	Critical spaces	N/A	PDF	IES
	80CRI, 3000K	1947	16.4	118.7	83	9	Critical spaces	N/A	PDF	IES
	90CRI, 3500K	2008	18.8	106.8	93	65	Critical spaces	N/A	PDF	IES

CANDELA DISTRIBUTION						Flux
	0	45	90	135	180	Lumens
0	317	317	317	317	317	
5	316	316	315	314	314	30
15	307	306	303	301	299	85
25	285	285	280	277	273	129
35	254	255	250	243	241	155
45	212	215	209	204	197	160
55	167	171	166	156	154	145
65	121	120	114	105	104	111
75	67	66	64	61	56	65
85	23	24	18	15	14	20
90	0	0	0	0	0	
95	58	105	14	5	2	46
105	483	322	48	12	14	155
115	685	475	80	16	16	220
125	682	489	101	36	21	217
135	608	437	113	67	39	182
145	500	366	123	88	75	137
155	395	281	129	107	98	89
165	259	205	133	120	117	47
175	155	148	134	128	127	14
180	134	134	134	134	134	

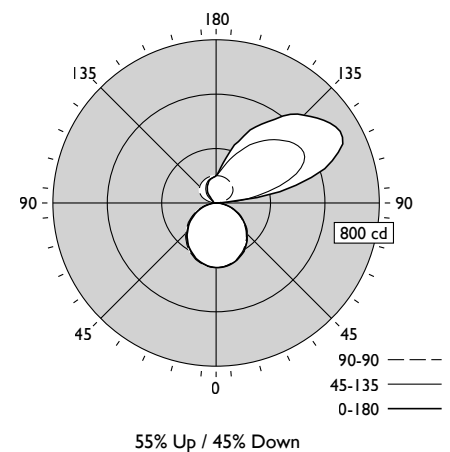
*Photometric data shown is for 2200 lm/4ft, 3500K, 80 CRI configuration.

COEFFICIENTS OF UTILIZATION (%)													
Pc---	80				70				50				0
Pw----	70	50	30	10	70	50	30	50	30	10	0		
RCR													
0	106	106	106	106	97	97	97	80	80	80	45		
1	96	92	88	85	88	84	81	70	68	66	37		
2	88	80	74	69	80	74	68	61	57	54	31		
3	80	70	63	57	73	65	58	54	49	45	26		
4	73	62	54	48	66	57	50	48	43	38	22		
5	67	55	47	41	61	51	44	43	37	33	19		
6	62	49	41	35	56	46	38	38	33	29	17		
7	57	45	37	31	52	41	34	35	29	25	15		
8	53	40	33	27	48	37	30	32	26	22	13		
9	49	37	29	24	45	34	27	29	24	20	12		
10	46	34	26	22	42	31	25	27	21	18	11		

ZONAL LUMEN SUMMARY			
Zone	Lumens	%Fixture	%Lamp
0-30	244	12.2%	12.2%
0-40	399	19.9%	19.9%
0-60	704	35.1%	35.1%
0-90	899	44.9%	44.9%
90-130	638	31.8%	31.8%
90-150	956	47.7%	47.7%
90-180	1105	55.1%	55.1%
0-180	2003	100.0%	100.0%

Electrical				
Voltage (V)	Power (W)	Current (A)	THD (%)	Power factor
120	15.7	0.131	10.3	0.999
277	16.4	0.062	14.2	0.953
347V	16.5	0.050	11.3	0.959

AVG LUMINANCE (cd/m²)			
	0	90	180
0	4611	4611	4611
5	4622	4605	4586
15	4623	4567	4506
25	4584	4494	4382
35	4514	4443	4276
45	4359	4311	4064
55	4249	4223	3916
65	4175	3924	3596
75	3791	3606	3127
85	3825	3040	2339



AccuRender technology with CRI 90 available now, photometry coming soon.

FloatPlane wall

Photometrics

Acrylic Diffuser & 75% Down Kit (AG)

Spacing Criteria: 1.30/1.28

(Click "PDF" and "IES" text to Download)

Lumen Package	Nominal CRI & CCT	Flux (lm)	Watts (W)	Efficacy (LPW)	CRI	R9	RP-1 VDT	DLC	Photometry Report	IES File
4200 lm/4ft	80CRI, 4000K	3289	32.5	101.2	82	10	N/A	N/A	PDF	IES
	80CRI, 3500K	3352	32.5	103.1	82	9	N/A	N/A	PDF	IES
	80CRI, 3000K	3258	32.5	100.2	83	9	N/A	N/A	PDF	IES
	90CRI, 3500K	3326	38.6	86.2	93	65	N/A	N/A	PDF	IES
3100 lm/4ft	80CRI, 4000K	2403	24.0	100.1	82	10	Normal spaces	N/A	PDF	IES
	80CRI, 3500K	2449	24.0	102.0	82	9	Normal spaces	N/A	PDF	IES
	80CRI, 3000K	2380	24.0	99.2	83	9	Normal spaces	N/A	PDF	IES
	90CRI, 3500K	2447	28.0	87.4	93	65	Normal spaces	N/A	PDF	IES
2200 lm/4ft	80CRI, 4000K	1706	16.4	104.0	82	10	Critical spaces	N/A	PDF	IES
	80CRI, 3500K	1738	16.4	106.0	82	9	Critical spaces	N/A	PDF	IES
	80CRI, 3000K	1689	16.4	103.0	83	9	Critical spaces	N/A	PDF	IES
	90CRI, 3500K	1742	18.8	92.7	93	65	Critical spaces	N/A	PDF	IES

CANDELA DISTRIBUTION					Flux	
	0	45	90	135	180	Lumens
0	446	446	446	446	446	
5	446	446	443	442	441	42
15	432	432	428	422	419	120
25	407	405	395	388	383	181
35	365	361	351	339	333	218
45	305	305	298	281	279	225
55	243	243	232	216	211	203
65	171	175	159	148	140	155
75	100	100	90	77	72	91
85	33	36	28	18	13	27
90	0	0	0	0	0	
95	31	33	8	4	3	18
105	163	98	26	10	11	57
115	216	150	53	13	13	80
125	225	167	69	28	15	85
135	220	165	79	51	31	81
145	201	156	85	67	56	68
155	175	138	89	77	73	49
165	132	113	91	84	82	28
175	99	95	91	88	87	9
180	91	91	91	91	91	

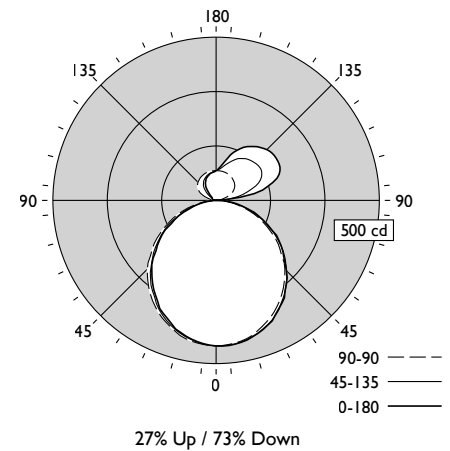
*Photometric data shown is for 2200 lm/4ft, 3500K, 80 CRI configuration.

COEFFICIENTS OF UTILIZATION (%)													
Pc---	80				70				50				0
Pw---	70	50	30	10	70	50	30	50	30	10	0		
RCR	0	113	113	113	113	107	107	107	96	96	96	73	
1	103	98	94	90	97	93	89	84	81	78	61		
2	93	85	79	73	88	81	75	73	69	64	50		
3	85	75	67	61	80	71	64	64	59	54	42		
4	78	66	58	51	73	63	55	57	51	46	36		
5	71	59	50	44	67	56	48	51	45	40	31		
6	66	53	44	38	62	51	43	46	39	34	27		
7	61	48	39	34	57	46	38	42	35	30	24		
8	56	43	35	30	53	42	34	38	32	27	21		
9	53	40	32	27	50	38	31	35	29	24	19		
10	49	37	29	24	47	35	28	32	26	22	17		

ZONAL LUMEN SUMMARY			
Zone	Lumens	%Fixture	%Lamp
0-30	343	19.8%	19.8%
0-40	561	32.3%	32.3%
0-60	990	56.9%	56.9%
0-90	1263	72.7%	72.7%
90-130	240	13.8%	13.8%
90-150	389	22.4%	22.4%
90-180	475	27.3%	27.3%
0-180	1738	100.0%	100.0%

Electrical				
Voltage (V)	Power (W)	Current (A)	THD (%)	Power factor
120	15.7	0.131	10.3	0.999
277	16.4	0.062	14.2	0.953
347V	16.5	0.050	11.3	0.959

AVG LUMINANCE (cd/m²)			
	0	90	180
0	6492	6492	6492
5	6522	6477	6442
15	6514	6455	6315
25	6541	6345	6144
35	6480	6238	5924
45	6271	6133	5736
55	6178	5891	5363
65	5877	5488	4836
75	5608	5034	4061
85	5445	4644	2171



AccuRender technology with CRI 90 available now, photometry coming soon.

FloatPlane wall

Photometrics

Acrylic Diffuser & 90% Down Kit (AH)

Spacing Criteria: 1.30/1.28

(Click "PDF" and "IES" text to Download)

Lumen Package	Nominal CRI & CCT	Flux (lm)	Watts (W)	Efficacy (LPW)	CRI	R9	RP-1 VDT	DLC	Photometry Report	IES File
4200 lm/4ft	80CRI, 4000K	3152	32.5	97.0	82	10	N/A	N/A	PDF	IES
	80CRI, 3500K	3212	32.5	98.8	82	9	N/A	N/A	PDF	IES
	80CRI, 3000K	3122	32.5	96.1	83	9	N/A	N/A	PDF	IES
	90CRI, 3500K	3187	38.6	82.6	93	65	N/A	N/A	PDF	IES
3100 lm/4ft	80CRI, 4000K	2303	24.0	96.0	82	10	Normal spaces	N/A	PDF	IES
	80CRI, 3500K	2347	24.0	97.8	82	9	N/A	N/A	PDF	IES
	80CRI, 3000K	2281	24.0	95.0	83	9	Normal spaces	N/A	PDF	IES
	90CRI, 3500K	2345	28.0	83.8	93	65	N/A	N/A	PDF	IES
2200 lm/4ft	80CRI, 4000K	1635	16.4	99.7	82	10	Critical spaces	N/A	PDF	IES
	80CRI, 3500K	1666	16.4	101.6	82	9	Critical spaces	N/A	PDF	IES
	80CRI, 3000K	1619	16.4	98.7	83	9	Critical spaces	N/A	PDF	IES
	90CRI, 3500K	1669	18.8	88.8	93	65	Critical spaces	N/A	PDF	IES

CANDELA DISTRIBUTION						Flux
	0	45	90	135	180	Lumens
0	521	521	521	521	521	
5	522	521	518	516	515	49
15	506	507	498	492	489	140
25	475	475	462	450	448	212
35	423	426	410	395	390	255
45	361	359	348	328	319	263
55	287	284	270	253	239	238
65	206	199	186	171	161	181
75	120	118	103	91	84	106
85	43	43	31	21	15	32
90	0	0	0	0	0	
95	14	11	7	5	3	8
105	58	33	14	9	10	23
115	63	43	23	14	13	30
125	50	44	32	25	19	30
135	49	51	38	34	27	31
145	56	53	43	38	37	28
155	56	54	46	42	41	22
165	55	53	48	45	45	14
175	52	50	49	47	47	5
180	49	49	49	49	49	

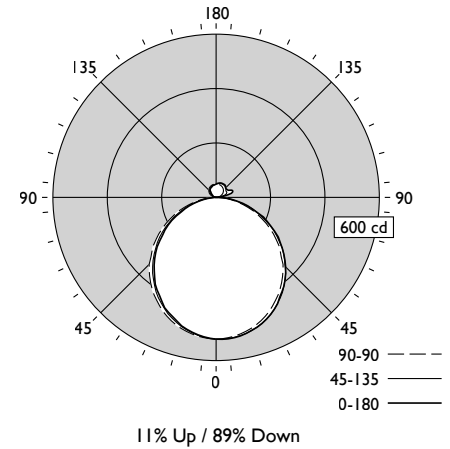
*Photometric data shown is for 2200 lm/4ft, 3500K, 80 CRI configuration.

COEFFICIENTS OF UTILIZATION (%)													
Pc---	80				70				50				0
Pw---	70	50	30	10	70	50	30	10	50	30	10	0	
RCR	0	116	116	116	116	112	112	112	105	105	105	89	
	1	106	101	97	93	102	98	94	92	88	86	74	
	2	96	88	81	76	93	85	79	80	75	71	61	
	3	88	77	69	63	84	75	68	70	64	59	52	
	4	80	68	60	53	77	66	58	62	56	50	44	
	5	74	61	52	46	71	59	51	56	49	43	38	
	6	68	55	46	40	65	53	45	50	43	38	33	
	7	63	50	41	35	61	48	40	46	39	33	29	
	8	59	45	37	31	56	44	36	42	35	30	26	
	9	55	42	33	28	53	40	33	39	32	27	23	
	10	51	38	30	25	49	37	30	36	29	24	21	

ZONAL LUMEN SUMMARY			
Zone	Lumens	%Fixture	%Lamp
0-30	402	24.1%	24.1%
0-40	656	39.4%	39.4%
0-60	1157	69.5%	69.5%
0-90	1476	88.6%	88.6%
90-130	90	5.4%	5.4%
90-150	149	9.0%	9.0%
90-180	190	11.4%	11.4%
0-180	1666	100.0%	100.0%

Electrical				
Voltage (V)	Power (W)	Current (A)	THD (%)	Power factor
120	15.7	0.131	10.3	0.999
277	16.4	0.062	14.2	0.953
347V	16.5	0.050	11.3	0.959

AVG LUMINANCE (cd/m²)			
	0	90	180
0	7588	7588	7588
5	7626	7564	7520
15	7625	7512	7373
25	7622	7426	7190
35	7511	7292	6931
45	7439	7165	6576
55	7295	6840	6071
65	7100	6400	5560
75	6767	5794	4725
85	7199	5228	2506



AccuRender technology with CRI 90 available now, photometry coming soon.

FloatPlane wall

Photometrics

Acrylic Diffuser & 100% Down Kit (AJ)

Spacing Criteria: 1.30/1.28

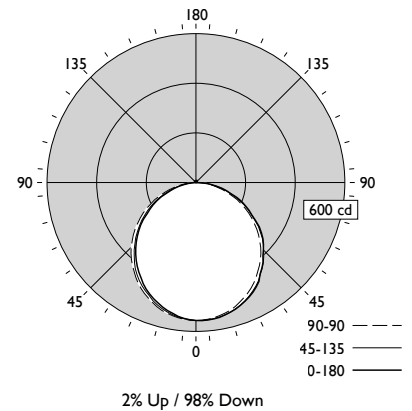
(Click "PDF" and "IES" text to Download)

Lumen Package	Nominal CRI & CCT	Flux (lm)	Watts (W)	Efficacy (LPW)	CRI	R9	RP-1 VDT	DLC	Photometry Report	IES File
4200 lm/4ft	80CRI, 4000K	3050	32.5	93.8	82	10	N/A	N/A	PDF	IES
	80CRI, 3500K	3108	32.5	95.6	82	9	N/A	N/A	PDF	IES
	80CRI, 3000K	3021	32.5	93.0	83	9	N/A	N/A	PDF	IES
	90CRI, 3500K	3084	38.6	79.9	93	65	N/A	N/A	PDF	IES
3100 lm/4ft	80CRI, 4000K	2229	24.0	92.9	82	10	N/A	N/A	PDF	IES
	80CRI, 3500K	2271	24.0	94.6	82	9	N/A	N/A	PDF	IES
	80CRI, 3000K	2207	24.0	92.0	83	9	N/A	N/A	PDF	IES
	90CRI, 3500K	2270	28.0	81.1	93	65	N/A	N/A	PDF	IES
2200 lm/4ft	80CRI, 4000K	1582	16.4	96.5	82	10	Normal spaces	N/A	PDF	IES
	80CRI, 3500K	1612	16.4	98.3	82	9	Normal spaces	N/A	PDF	IES
	80CRI, 3000K	1567	16.4	95.5	83	9	Normal spaces	N/A	PDF	IES
	90CRI, 3500K	1615	18.8	85.9	93	65	Normal spaces	N/A	PDF	IES

CANDELA DISTRIBUTION						Flux
	0	45	90	135	180	Lumens
0	556	556	556	556	556	
5	556	556	553	551	550	53
15	540	540	533	526	519	150
25	508	506	493	482	474	226
35	451	452	435	426	412	272
45	384	386	369	347	340	281
55	312	307	287	267	259	253
65	219	216	199	181	174	193
75	128	124	111	94	89	113
85	46	43	32	22	19	34
90	0	0	0	0	0	
95	4	3	4	3	3	3
105	4	5	5	5	5	5
115	5	6	6	6	6	6
125	7	7	6	7	7	6
135	8	8	7	8	8	6
145	9	9	7	8	8	5
155	10	9	8	8	8	4
165	10	9	8	7	8	2
175	8	8	8	7	7	1
180	8	8	8	8	8	

COEFFICIENTS OF UTILIZATION (%)													
Pc---	80				70				50				0
Pw---	70	50	30	10	70	50	30	50	30	10	0	0	
RCR	0	118	118	118	118	115	115	115	110	110	110	98	
	1	108	103	99	95	105	101	97	96	93	90	81	
	2	98	90	83	77	95	88	81	84	78	74	68	
	3	89	79	71	64	87	77	69	74	67	62	57	
	4	82	70	61	54	79	68	60	65	58	53	48	
	5	75	62	53	47	73	61	53	59	51	45	42	
	6	69	56	47	41	67	55	47	53	45	40	37	
	7	64	51	42	36	62	50	42	48	41	35	32	
	8	60	46	38	32	58	46	37	44	37	31	29	
	9	56	43	34	29	54	42	34	40	33	28	26	
	10	52	39	31	26	51	39	31	37	30	26	23	

AVG LUMINANCE (cd/m²)			
	0	90	180
0	8094	8094	8094
5	8125	8081	8035
15	8142	8036	7828
25	8165	7911	7617
35	8006	7735	7326
45	7910	7601	7002
55	7916	7279	6561
65	7537	6852	5984
75	7205	6266	5012
85	7667	5379	3140



*Photometric data shown is for 2200 lm/4ft, 3500K, 80 CRI configuration.

AccuRender technology with CRI 90 available now, photometry coming soon.

© 2025 Signify Holding. All rights reserved. The information provided herein is subject to change, without notice. Signify does not give any representation or warranty as to the accuracy or completeness of the information included herein and shall not be liable for any action in reliance thereon. The information presented in this document is not intended as any commercial offer and does not form part of any quotation or contract, unless otherwise agreed by Signify.

GENLYTE SOLUTIONS
a **signify** business

Signify North America Corp.
400 Crossing Blvd, Suite 600
Bridgewater, NJ 08807
Telephone: 800-555-0050

Signify Canada Ltd.
281 Hillmount Road,
Markham, ON, Canada L6C 2S3
Telephone: 800-668-9008

All trademarks are owned by Signify Holding or their respective owners.