



Ceiling mounted test switch provided standard, add EM suffix to new construction frame-in kit (example: C4RNEM). Reflector mounted test switch available on some trim types, see below table for availability and restrictions, add EM suffix to reflector trim where available (example: 4RDLCCEM).

Project: \_\_\_\_\_

Location: \_\_\_\_\_

Cat.No: \_\_\_\_\_

Type: \_\_\_\_\_

Lamps: \_\_\_\_\_ Qty: \_\_\_\_\_

Notes: \_\_\_\_\_

### Calculite LED compatibility

Calculite LED gen 3 round & square (new construction frames only)		Nominal initial EM lumens (3500K)	Ceiling mount with EM test button	Reflector trim mount with EM test button
3"	500-1800lm	670lm	Standard	Not Available
4"	500-3000lm options, all beams	880lm	Standard	Available*
6" & 7"	1000-6000lm, Narrow beam	800lm	Standard	Available*
6" & 7"	1000-6000lm, Medium & Wide beam	885lm	Standard	Available*

### LyteProfile LED compatibility

LyteProfile LED round (new construction frames only)		Nominal initial EM lumens (3500K)	Ceiling mount with EM test button	Reflector trim mount with EM test button
3"	500-1500lm	770lm	Standard	Not Available
4"	P4R Series	816lm	Standard	Not Available
6"	P6R Series	832lm	Standard	Not Available

1. Varies depending on lumen package.
2. The 4" and 6" require above ceiling access to install test button.

### Features

**Battery pack:** Bodine BSL17C battery pack provides 90 minutes of lighting when AC power fails. Meets National Electrical and Life Safety Codes. Can be accessed and replaced below-ceiling. To estimate lumen output in emergency mode, multiply emergency pack wattage by efficacy, then by 1.1. Compatible with both 120V/277V.

**Test switch/charge light:** Can be installed in compatible reflectors (EM suffix required) or ceiling. All required components included for both installations.

**Mounting:** Mounts to frame-in kit mounting bracket.

**Maximum ceiling thickness:**

- 3" Aperture: 2"
- 4" Aperture (round only): 2"
- 6" Aperture (round only): 2"
- 7" Aperture (round only): 2-3/4"

### Options and Accessories

**For field install emergency battery kits**  
**CAEM:** EM pack for Calculite LED gen 3

### Labels and Listings

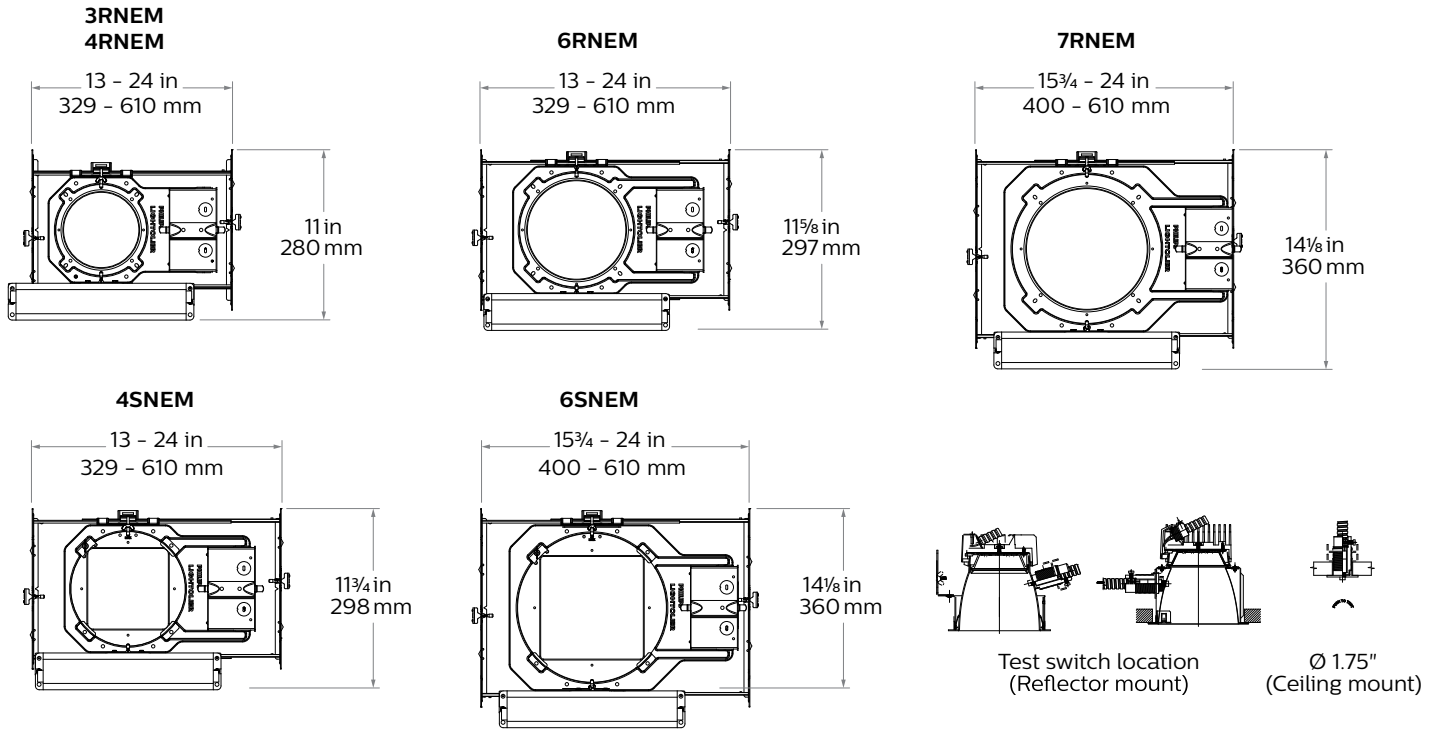
UL listed for damp locations only.  
 Not approved for Chicago plenum applications.

### Warranty



5 year limited warranty  
 Visit [Signify.com/warranties](http://Signify.com/warranties)  
 for more information on Signify's  
 standard 5-year limited warranty  
 on complete luminaire systems.

# LED-EM Calculite, LyteProfile, & EasyLyte Emergency Battery Pack



© 2020 Signify Holding. All rights reserved. The information provided herein is subject to change, without notice. Signify does not give any representation or warranty as to the accuracy or completeness of the information included herein and shall not be liable for any action in reliance thereon. The information presented in this document is not intended as any commercial offer and does not form part of any quotation or contract, unless otherwise agreed by Signify.

Signify North America Corporation  
200 Franklin Square Drive,  
Somerset, NJ 08873  
Telephone 855-486-2216

Signify Canada Ltd.  
281 Hillmount Road,  
Markham, ON, Canada L6C 2S3  
Telephone 800-668-9008

All trademarks are owned by Signify Holding or their respective owners.