

CHLORIDE

WayGlo LED Night Light

IMPORTANT SAFEGUARDS

When using electrical equipment, basic safety precautions should always be followed, including the following:

READ AND FOLLOW ALL SAFETY INSTRUCTIONS

All servicing should be performed by qualified personnel only.

Equipment should be mounted in locations and at heights where it will not be readily subjected to tampering by unauthorized personnel.

The use of accessory equipment not recommended by the manufacturer may cause an unsafe condition.

Do not use this equipment for other than intended use.

Do not use outdoors.

Do not let supply cords touch hot surfaces.

Do not mount near gas or electric heaters.

INSTALLATION AND OPERATING INSTRUCTIONS

Use caution when servicing batteries. Battery acid can cause burns to skin and eyes. If acid is spilled on skin or eyes, flush acid with fresh water and contact a physician immediately.

CAUTION: To avoid electrical overload, total connected lamp load (factory and field installed) should not exceed output rating.

WARNING – Shut off AC power to branch circuits to which units will be connected. All wiring should be per N.E.C. Articles 501-4(b) and local codes.

To maintain warranty, equipment with batteries must be installed or placed on charge within prescribed period after shipment.

SAVE THESE INSTRUCTIONS

CHLORIDE

Signify North America Corporation
200 Franklin Square Drive
Somerset, NJ 08873, USA
Phone: 855-486-2216
www.chloride-lighting.com

Signify Canada Ltd./Signify Canada Ltée.
281 Hillmount Road,
Markham, ON, Canada L6C 2S3
Phone: 800-668-9008

July 2018
443580498451

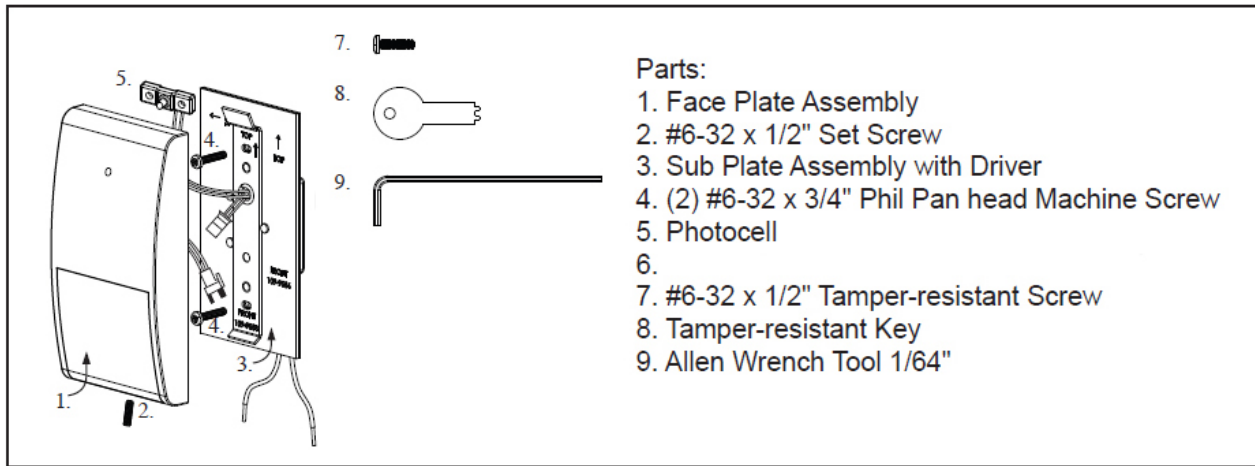
OVERVIEW

To ensure proper installation please read through the entire instruction sheet prior to beginning installation.

These instructions describe how to install the WayGlo series night light using either:

- a.) the optional accessory single-gang back box
- b.) retrofitting using an existing NEMA single-gang back box or a 1900 back box fitted with a single-gang plaster ring
- c.) in conjunction with the optional accessory Thru-wall back box for dual-face (2-sided) applications

Please carefully follow the procedures below in the order presented to ensure a satisfactory installation.



A. INSTALLING OPTIONAL SINGLE-GANG BACK BOX (IF ORDERED)

Follow these steps when utilizing the optional accessory single-gang back box with your product. If you have ordered a Thru-wall assembly (2-sided application), you need to skip to the "Installing Optional Thru-wall Back Box" instructions shown in Section B.

1. A hanger strap is provided to simplify the mounting of the back box. If not already attached, attach the side hanger strap to the side of the back box as shown in Figure 2. Note that the side hanger strap can be installed on the back box in either a vertical or horizontal orientation into the screw holes provided. Check to make sure the orientation matches the WayGlo faceplate ordered. (The flanges at the top and bottom of the back box can be removed.)

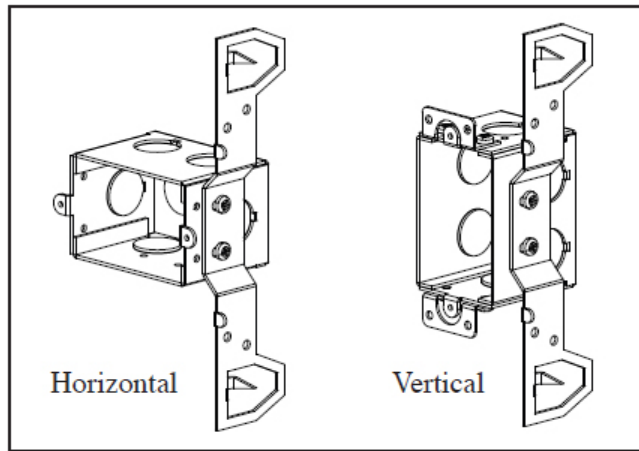


Figure 2

2. Align hanger strap, utilizing the hanger's tabs, to the front of the wall stud. Position the center of the box at the recommended height of 14" above finished floor and then drive the hanger spikes into the stud as shown in Figure 3. Install additional screws thru the holes in the hanger to secure the back box.

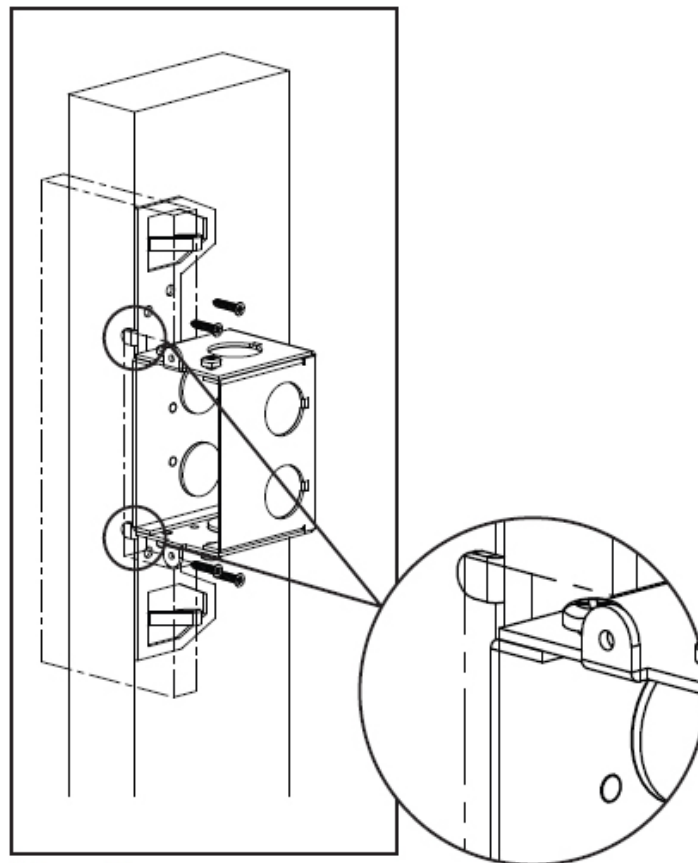


Figure 3

Detail of Tabs

3. The front edge of the back box must be inset at least 1/16" below the finished wall surface to ensure proper gasket contact pressure and sealing.
4. Bring your electrical supply to the back box utilizing the knockouts provided.

When you have completed all of the steps listed above, move to Section D – “Installing the Faceplate”.

B. INSTALLING OPTIONAL THRU-WALL BACK BOX (IF ORDERED)

Follow the steps below when utilizing the optional accessory Thru-wall back box with your product. This is the proper back box to use when you are looking for a 2-sided installation. If you are working with a single-sided application, please move to either Section A – “Installing Provided Single-Gang Back Box” or Section C – “Retrofitting into an Existing Single-Gang Back Box”.

1. Determine if your WayGlo faceplates are intended to be installed in a vertical or horizontal orientation. (Note: For Thru-wall applications, the two faceplates must be of the same orientation.) The Thru-wall back box can be installed in either a vertical or horizontal orientation.
2. Install the hanger bars through the slots in the brackets of the back box to match the required orientation of the back box. There is a male and female portion of the brackets that slide together. The brackets slide 24" apart to accommodate varied wall stud spacings (see figure 4).

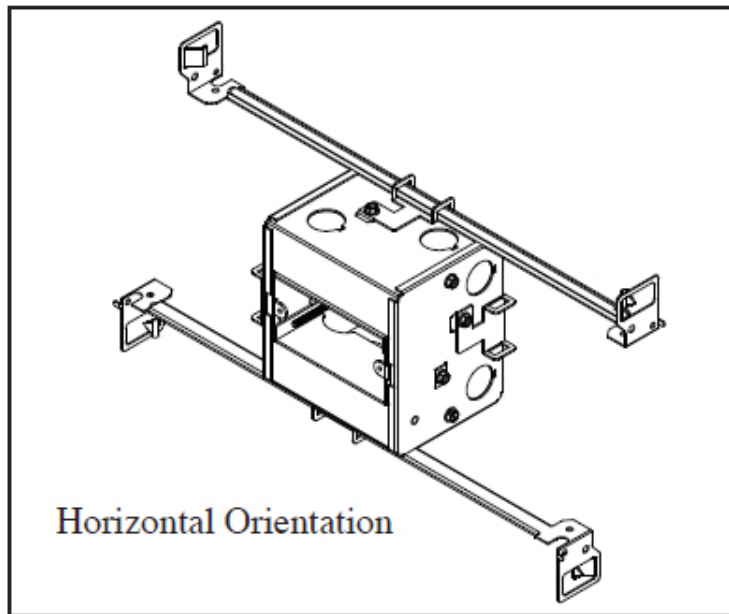


Figure 4

3. Align hanger strap, utilizing the hanger's tabs, to the front of the wall stud. Position the center of the box at the recommended height of 14" above finished floor and then drive the hanger spikes into the stud. Install additional screws through the holes in the hanger to secure the back box.
4. Slide the back box along the hanger bars until it is the desired horizontal position. Using a pair of pliers, clamp down on the slotted brackets that the hanger bars slide through to lock the back box in position.

5. The front edge of the back box must be inset at least 1/16" below the finished wall surface to ensure proper gasket contact pressure and sealing. The two sleeves are adjustable from the face of the wall. Simply screw in or out the sleeve adjustment screws until the front edge of the sleeve is in the proper position with respect to the finished wall surface. The Thru-wall back box can be adjusted to wall thickness from 3.5" up to 6".
6. Bring your electrical supply to the back box utilizing the knockouts provided.

When you have completed all of the steps listed above, move to the Section D – “Installing the Faceplate”.

C. RETROFITTING INTO AN EXISTING SINGLE-GANG BACK BOX

WayGlo faceplates can be retrofitted into either an existing NEMA single-gang back box or a 1900 back box fitted with a single-gang plaster ring. If you are utilizing either the OPTIONAL Single-Gang or OPTIONAL Thru-wall back box with your WayGlo faceplate, please refer to either Section A. or Section B. of these instructions.

1. Verify that the dimensions of the back box opening do not exceed the maximum dimensions shown in Figure 5. If they do, the back box will not work with the WayGlo faceplate. Either replace the back box with one of the optional back boxes mentioned above or install a new back box that meets the size requirements.

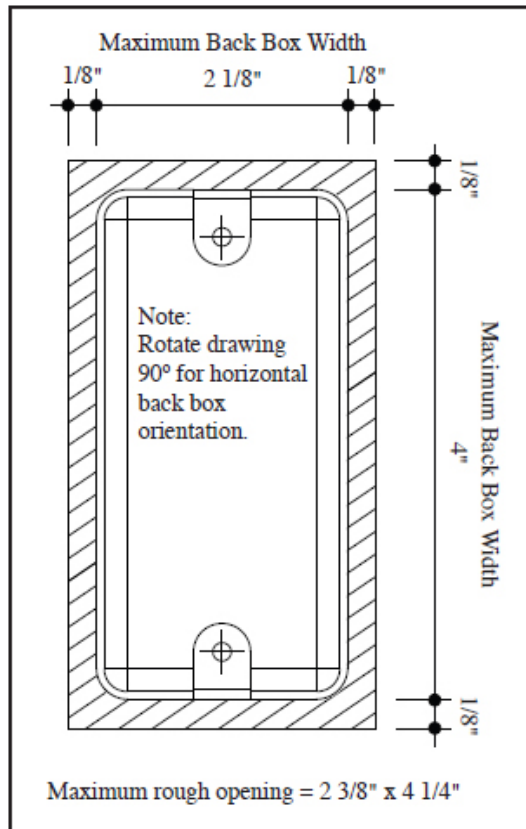


Figure 5

2. The front edge of the back box must be inset at least 1/16" below the finished wall surface to ensure proper gasket contact pressure and sealing.
3. Bring your electrical supply to the back box utilizing the knockouts provided.

When you have completed all of the steps listed above, move to Section D – “Installing the Faceplate”.

D. INSTALLING THE FACEPLATE

After completing the steps in Section A, B, or C. above, you are ready to complete the WayGlo installation.

1. First ensure that the front edge of the back box is at least 1/16" below the finished wall surface to ensure proper gasket contact pressure and sealing.
2. Review Figure 5 and make sure that there are not excessive gaps around the back box. The finished wall cutout cannot be more than 1/8" on any side of the back box. If the

cutout is greater than that, be sure to patch the wall around the box until it meets the maximum opening dimension and maximum gap along the sides of the back box as shown in Figure 5.

3. Fill the gap between the rough opening and the back box with a waterproof silicone sealant (GE RTV-162 or equivalent).
4. Separate the faceplate from the sub-plate by loosening the set screw located on the lower edge of the faceplate with the Allen wrench tool provided. Separate the faceplate away from the sub-plate.



5. IMPORTANT!! - Check to make sure the power is turned off to the circuit!

Applying power to the driver without the LED module attached will severely damage the product. Do not apply AC power until Step 6! Using suitable wire nuts, connect the AC supply hot (black) lead to the black lead coming from the driver and then connect the AC neutral (white) lead to the white lead coming from the driver. Connect the AC ground to the ground lead (green).

6. Temporarily connect the quick-connect plug from the sub-plate assembly to the faceplate assembly. Apply power only after connecting this plug! Confirm that the WayGlo's LEDs are operating.
7. WayGlo is approved for wet locations (standard orientation only – faceplate mounting screw facing down). If WayGlo is going to be used in a wet environment, the following directions are to be followed. If not, refer to Step 10 below.
8. Shut-off power and disconnect the faceplate assembly from the sub-plate.
9. Apply a generous bead of a waterproof silicone sealant (GE RTV-162 or equivalent) along the back edge of the sub-plate gasket. The bead of sealant is to be between the gasket and the finished wall surface. Once the sub-plate has been fastened securely to the wall, wipe off any excess sealant. **WARNING: Failure to follow this direction could allow moisture to penetrate the wall assembly. If the sub-plate is removed for any reason, the wall surface must be cleaned of any residual sealant and a new bead of sealant must be reapplied.**
10. Install the sub-plate assembly onto the back box with the supplied 8-32 x 3/4" screws. The arrow embossed into the surface of the sub-plate should be pointing upward. Check to make sure that the gasket is compressing against the finished wall surface. If not, review the steps above and correct issues.
11. If the WayGlo model being installed has the photocell option, the photocell needs to be attached to the faceplate. Locate the photocell extending from the backplate. The photocell should be inserted into the small pocket on the back of the faceplate with the point of the

CHLORIDE

Signify North America Corporation
200 Franklin Square Drive
Somerset, NJ 08873, USA
Phone: 855-486-2216
www.chloride-lighting.com

Signify Canada Ltd./Signify Canada Ltée.
281 Hillmount Road,
Markham, ON, Canada L6C 2S3
Phone: 800-668-9008

July 2018
443580498451

photocell inserted carefully into the small hole through the faceplate. There is a red dot to indicate the top of the photocell. Be sure to orient the photocell so that the red dot is pointed towards the top of the fixture. Once the photocell is positioned into the pocket, use the provided Allen wrench tool to secure the photocell to the faceplate with the provided screws. See Figure 6.

Photocell Control Note: The photocell is factory set to switch Off at 10fc (± 2.5 fc) of ambient light and switch On when the light level is below 5fc (± 2.5 fc). The sensitivity of the photocell is not field adjustable and performance can vary depending on room finishes, mounting location and surrounding objects.

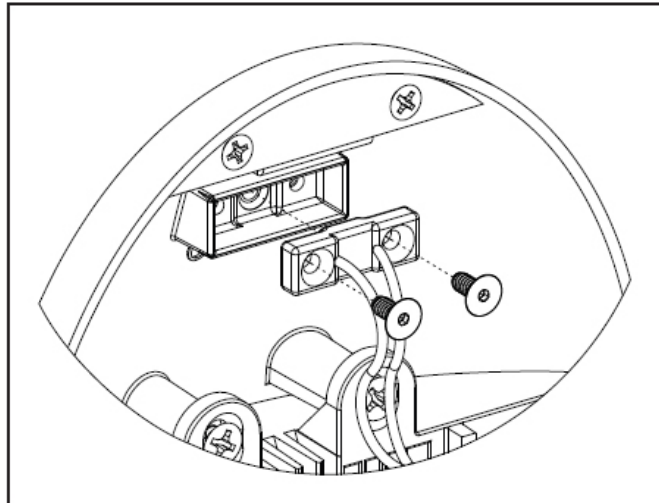


Figure 6

12. Connect the faceplate to the sub-plate assembly using the quick-connect plug.
13. Hook the faceplate assembly onto the sub-plate by first sliding the upper catch (located at the top of the backside of the faceplate) over the upper tab of the sub-plate. Press the faceplate assembly downward onto the sub-plate until it is firmly seated on the upper tab. See Figure 7A and 7B.

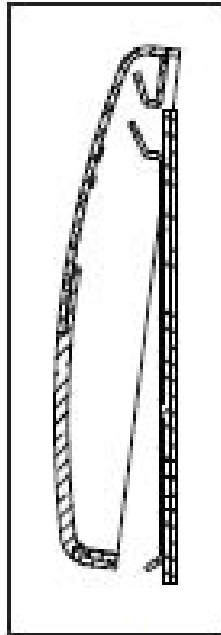


Figure 7A

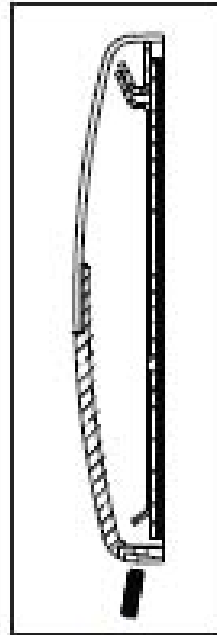


Figure 7B

14. Make sure the quick-connect plug is tucked in a cavity of the faceplate. Push the lower portion of the faceplate toward the wall making sure to clear the bottom tab. With slight downward pressure, press the faceplate firmly against the wall.
15. Install and tighten the supplied set screw (or optional tamper-proof, spanner machine screw) with the provided Allen wrench or Tamper-resistant key.
16. If the application is a wet location, apply a waterproof silicone sealant (GE RTV-162 or equivalent) to seal all openings between the faceplate and the finished wall. Make sure that the two weep holes (located on either side of the faceplate attachment screw) remain open. **If the faceplate is removed for any reason, clean off any sealant residue and repeat the steps above.**
17. Your WayGlo is ready to be energized and put into operation.