

**Read and understand these instructions before installing fixture.**

This fixture is intended for installation in accordance with the National Electrical Code and local regulations. To assure full compliance with local codes and regulations, check with your local electrical inspector before installation. To prevent electrical shock, turn off electricity at fuse box before proceeding.

**Retain these instructions for maintenance reference.**

**PowerTrip™ END FEED CONNECTOR 9099 FOR USE WITH 9100 SERIES TRACK OR 6099 CONNECTOR FOR USE WITH 6000 SERIES TRACK ONLY. PowerTrip Breaker will limit the wattage on a circuit and can be used as a standard ON/OFF switch.**

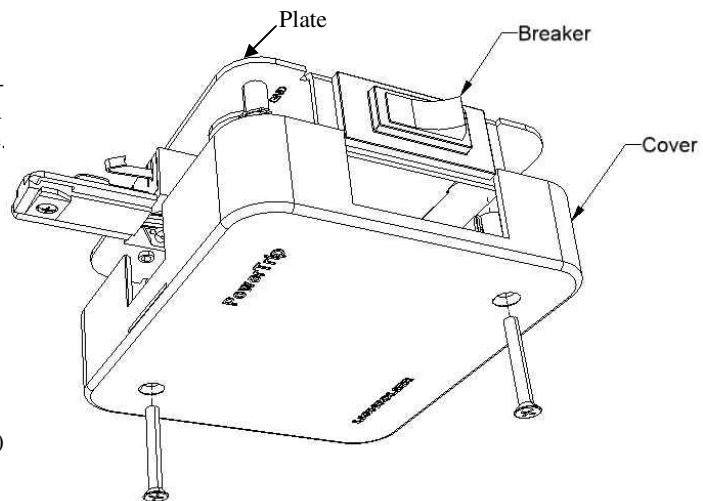
**NOTE:**

POWERTRIP CONNECTOR CAN BE FED USING A 4 in. OCTAGON JUNCTION BOX, FED DIRECTLY USING FLEXIBLE OR RIGID CONDUIT WITH 3/8 OR 1/2 ELECTRICAL CONNECTOR FROM STANDARD CEILINGS OR GRID CEILING RUNNER SYSTEMS, OR FED USING BASIC TRACK STEM MOUNTING KITS.

- **TURN OFF POWER AT BREAKER BOX BEFORE INSTALLING ELECTRICAL CONNECTOR AND TRACK.**
- **IF FEEDING WITH ELECTRICAL CONNECTORS: DO NOT USE POWERTRIP AS A CONDUIT SUPPORT. INDEPENDANT CONDUIT SUPPORTS MUST BE USED TO ATTACH THE CONDUIT TO THE BUILDING STRUCTURE.**
- **OBSERVE POLARITY; WHITE NEUTRAL WIRE MUST BE CONNECTED TO THE TERMINAL MARKED “NEUT” IN THE POWERTRIP CONNECTOR.**
- **USE 12 GA. OR 14 GA. SOLID WIRE IN CONNECTOR ONLY. CONNECTOR RATING 120V, 20AMP, 60HZ.**
- **USE THE PROPER CURRENT RATED LIGHTOLIER BREAKER TO LIMIT THE LOAD ON THE CIRCUIT. (BREAKERS SOLD SEPARATELY).**
- **CONNECTOR IS POLARIZED AND WILL ONLY INSTALL INTO ONE END OF THE TRACK. POINT POLARITY TAB ON POWERTRIP CONNECTOR AWAY FROM TRACK BEAD FOR PROPER INSTALLATION. SEE FIGURE.**
- **DO NOT POSITION LUMINAIRE SUCH THAT IT TOUCHES THE POWERTRIP CONNECTOR. DO NOT USE WITH 9100 SERIES STEM MOUNTED TRACK.**

**A. INSTALLING POWERTRIP CONNECTOR ON A J- BOX.**

1. The centerline of the track must be on the center of the J-BOX and the mounting holes for the J-BOX must be at a 45° to the centerline of the track. See figure on next page.
2. Remove the COVER and retain.
3. Remove the RECTANGULAR KNOCK OUT from the PLATE. Do not remove any other knock outs.
4. Put COVER on PLATE and push BREAKER into PLATE through the cut-out in the COVER. See figure.
5. Remove COVER and retain.
6. Fasten PLATE to J-Box passing supply wires through RECTANGULAR HOLE. Secure PLATE by passing (2) screws through PLATE and into J-BOX.
7. Attach wires per WIRING INSTRUCTIONS BELOW.
8. Slide TRACK onto POWERTRIP CONNECTOR ensure (2) CONTACT BLADES insert into the gap of the track BUSS BAR. See figure on next page.
9. Tighten LOCKING SCREW.
10. Fasten COVER without pinching any wires.
11. See operating instructions below.

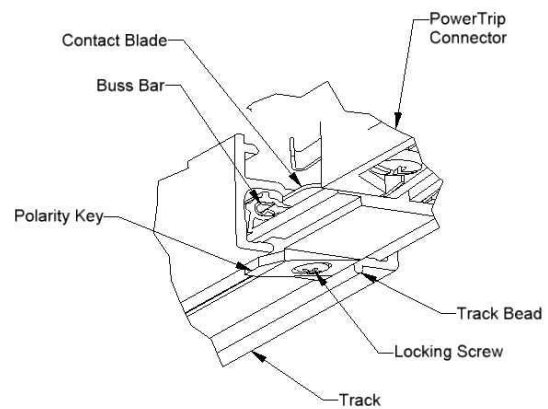
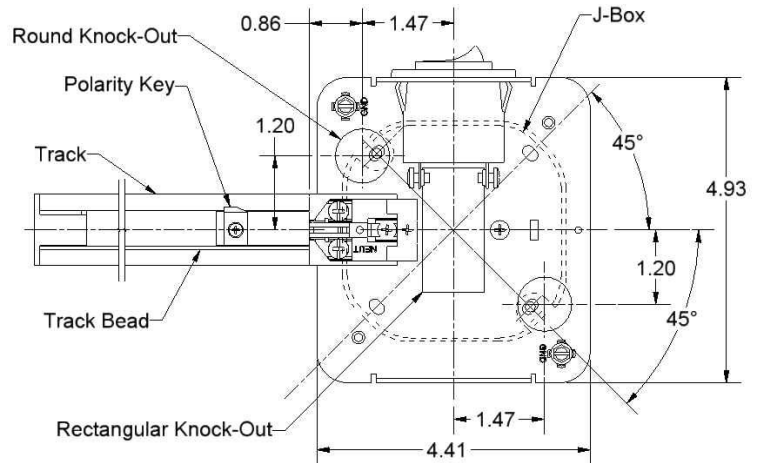


**Note: PowerTrip Current Limiter conforms to section 130.d.3 of the California Energy Code.**

**LIGHTOLIER®**

## B. INSTALLING POWERTRIP CONNECTOR USING FLEXIBLE OR RIGID CONDUIT.

1. Mark centerline of PLATE on ceiling to determine the mounting location of the POWERTRIP CONNECTOR.
2. Make a hole in the ceiling for the electrical connector in the position that coincides with one of the ROUND KNOCK OUTS.
3. Remove the COVER and retain. See figure on page 1..
4. Remove one ROUND KNOCK OUT where the power is to be passed through. Do not remove any other knock outs.
5. Put COVER on plate and push BREAKER into PLATE. See figure on page 1
6. Remove COVER and retain.
7. Attach electrical connector (by others) to PLATE in round hole.
8. Pass supply wires through hole in ceiling and through electrical connector.
9. Mount PLATE to ceiling using (2) of the PLATE MOUNTING HOLES that are not located on a knock out.
10. Attach wires per WIRING INSTRUCTIONS BELOW.
11. Slide TRACK onto POWERTRIP CONNECTOR ensure (2) CONTACT BLADES insert into the gap of the track BUSS BARS.
12. Tighten LOCKING SCREW.
13. Fasten Cover to PLATE without pinching any wires.
14. See operating instructions below.

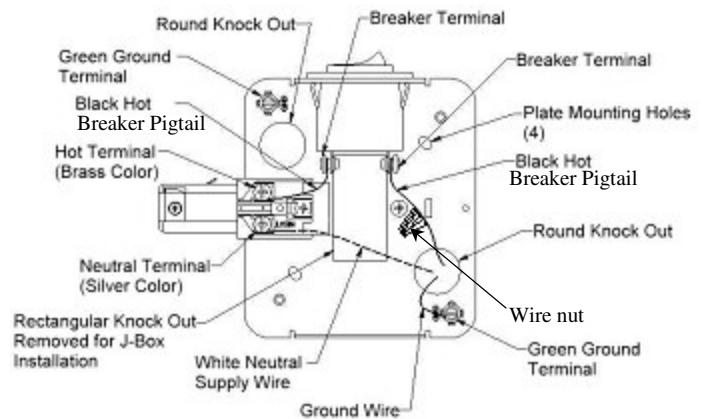


## C. FEEDING CONNECTOR ON STEM MOUNTED TRACK. 6099 CONNECTOR ONLY.

1. Follow instructions for Basic Track on Instruction sheet IS: 7586 included with the stem mounting kits.
2. Install BREAKER into PLATE.
3. Wire connector per wiring instructions below.

## D. WIRING INSTRUCTIONS

1. Strip ground wire enough to wrap around #8 screw. Wrap copper portion of ground wire around one of the GREEN GROUND TERMINALS between screw and washer. Tighten Green screw and wire.
2. Strip White neutral wire 7/16" and connect to NEUTRAL TERMINAL (silver color). Clamp wire using screw.
3. Strip Black Hot supply wire and Splice with one of the Hot Breaker Pigtails..
4. Use other Hot Breaker Pigtail wire to go from BREAKER TERMINAL to HOT TERMINAL . Clamp with screw.



## E. OPERATING POWERTRIP CONNECTOR. See IS: CLD 120 or IS: PLD120

1. Place luminaires on track. Place BREAKER SWITCH to ON position. Turn power ON to supply connector.
2. The BREAKER will automatically switch to OFF if its ratings are exceeded. OFF is designated by a red color on the BREAKER SWITCH.
3. If breaker tripped off: reduce the wattage on the track so the total wattage is less than the wattage specified on the BREAKER Turn the BREAKER SWITCH to ON.

