



**Calculite LED 4" generation 3** provides excellent performance coupled with optimized installation flexibility via UniFrame. Industry leading visual comfort and uniform illumination make it an ideal choice for open office, institution, healthcare, and retail applications.

**Standard luminaire:** Complete luminaire = Frame + Engine + Trim + Accessories (optional)

**Flex install luminaire:** Complete luminaires = Engine (F) + Trim + Accessories (optional)

**Buy American Act of 1933 (BAA)\*\* Compliant luminaire\*:** Complete luminaire = Frame-BAC + Engine-BAC + Trim-BAC

\* BAA compliance requires that BAC option be selected for each of frame, engine, and trim. Frame and engine will be ordered/shipped together; trim will be ordered/shipped separately. Accessories (optional) are not currently BAA-compliant.

Project: \_\_\_\_\_  
 Location: \_\_\_\_\_  
 Cat.No: \_\_\_\_\_  
 Type: \_\_\_\_\_  
 Qty: \_\_\_\_\_  
 Notes: \_\_\_\_\_

### Frame

standard example: 4RN | BAC example: 4RN-BAC

Series	Installation	Voltage / Options	
<b>4R</b>			
4R 4" Non-IC Round	N New construction	— Universal 120/277/347V EM6 Emergency, 6W Self-Test/Self-Diagnostic <sup>1</sup>	LC Chicago Plenum <sup>2</sup> BAC Meets the requirements of the Buy American Act of 1933 (BAA)**
	R Remodeler	— Universal 120/277/347V	BAC Meets the requirements of the Buy American Act of 1933 (BAA)**

### Engine

Series	Lumens	CRI/CCT	Beam	Dimming	Options	Voltage	Options
<b>C4L</b>							
C4L Calculite LED 4" gen 3	05 500lm	927 90CRI/2700K	N Narrow (43°) <sup>4</sup> M Medium (56°) <sup>4</sup> W Wide (76°)	Z10 0-10V 1%	— None D20 Dim to Off	U 120/277V 3 347V (Z10 only)	F Flex install <sup>6</sup> (no frame required) R Calculite legacyretrofit <sup>7</sup> RH Retrofit for tall collar frame <sup>7</sup> BAC Meets requirements of the Buy American Act of 1933 (BAA) <sup>8</sup>
	10 1000lm	930 90CRI/3000K					
	15 1500lm	935 90CRI/3500K					
	20 2000lm	940 90CRI/4000K					
	25 2500lm	950 90CRI/5000K <sup>3</sup>					
	30 3000lm*	D2W 90CRI/3000K to 1800K <sup>4</sup> (dim-to-warm)					
* See marked spacings requirements on page 9.							
				L01 Lutron PEQ0 EcoSystem 0.1% (up to 2000lm) L1 Lutron LDE1 EcoSystem (500lm not available) RA Integral Interact RF sensor <sup>5</sup> (enables wireless connected lighting control)		U 120/277V	
				D DALI 0.1%	— None LIN Linear	U 120/277V	
				SOL EldoLED Solo 0-10V 0.1% DMX Digital Multiplexing w/RDM 0.1%	— None LIN Linear SQR Square	U 120/277V	
				E Forward & Reverse Phase (up to 2500lm)		1 120V	

### Trim

standard example: C4RDLCCP | BAC example: C4RDLCCP-BAC

Series	Aperture	Style	Finish	Flange	Options
<b>C4</b>	<b>R</b>				
C4 Calculite LED 4" gen 3	R Round	DL Downlight	BK Black (anodized) CL Specular clear	CC Comfort clear CD Comfort clear diffuse CZ Champagne bronze	— White (matte) P Polished (matches aperture) F Flangeless (requires CA4RFT)
			WH White (matte)		— White (matches finish) F Flangeless (requires CA4RFT)
			WHAMF White (gloss antimicrobial)		— White (matches finish)
			SL Shower light <sup>9</sup>	WH White (matte) WHAMF White (gloss antimicrobial)	— White (matches finish)
					IEM6 Trim mounted EM test switch BAC Meets requisites of the Buy American Act of 1933 (BAA) <sup>8</sup>

### Accessories (Not currently BAA-compliant) learn more on page 2

<b>SBA</b>	Interact Ready System Bridge Accessory (refer to Philips System Bridge Accessory spec sheet for options and details)	<b>7920</b>	Sloped ceiling 4" adapter for 4RN and 4RA frames
<b>T347-75VA</b>	347.120V step-down transformer for non-IC (N) frame only (see page 2 for details)	<b>CA4RFT</b>	Mud-in ring for use in 4" round flangeless trim installations (ordered with a flangeless trim)
<b>4RN-NJB</b>	4" round non-IC frame for use with Flex (F) light engine (provides mechanical support for rough-in construction only, no junction box)	<b>CAEM6</b>	Field-installable Bodine BSL6 6W battery pack with self-test/self-diagnostic (for new construction frames, 120-277V)
<b>LCEM6</b>	Field installable Bodine BSL06 emergency battery pack (for Flex (F) light engine only, includes switch mounting plate)	<b>C4RVPWH</b>	IP65 Rated vandal proof matte white accessory mounts onto flangeless trims (C4RDLIF) and new construction frame only
		<b>CAEM6TSCP</b>	Must be ordered with EM6 frame for remote test switch (see page 2 for details)

- Emergency (EM6) frame is compatible with reflector mounted test switch when trim is ordered with IEM6 option code (not compatible with 347V or Power over Ethernet configurations). For remote mount switch, order standard trim and CAEM6TSCP mounting plate accessory.
- Chicago Plenum (LC) frame is not available for Buy American Compliant (BAC) configurations.
- Consult factory for 5000K CCT (50) with narrow (N) beam.
- Dim-to-warm (D2W) available only with Z10 dimming. Narrow (N) and medium (M) beams only.
- Linear driver profile (see page 8).
- Flex install option requires light engine (F) & trim only. Up to 2500lm only. Accessory frames available. Not compatible with standard frames and associated options. Not available with Interact (RA) light engine dimming and IEM6 trim options.
- Retrofits select legacy luminaires (E & Z10 dimming only see pages 2 & 8).
- Failure to properly select the "BAC" suffix could result in you receiving product that is not BAA compliant product with no recourse for an RMA or refund. This BAC designation hereunder does not address (i) the applicability of, or availability of a waiver under, the Trade Agreements Act, or (ii) the "Buy America" domestic content requirements imposed on states, localities, and other non-federal entities as a condition of receiving funds administered by the Department of Transportation or other federal agencies.
- Non-conductive flush mount lens with pre-installed gasket (matte white non-conductive flange with diffuse lens that is flush with the flange).



# C4RDL Calculite LED 4" gen 3

## Round Downlight

### Frame-in-kits

#### New Construction:

Galvanized stamped steel for dry or plaster ceilings. Pre-installed telescoping mounting bars from 13" to 24". For 4' distances, use 1/2" EMT, 1-1/2" x 1/2" U or C channel.

**Max ceiling thickness is 2" (51 mm) including PoE frame 4.88" (124 mm) plenum depth for installation.**

#### Patented install Mounting frame:

- Pre-installed mounting bars for fast and tool-less installs into T-grid & hat channel ceilings.
- Close-cut aperture design eliminates possibility of gap between ceiling opening and reflector flange.
- Separate wiring compartment for wiring frame to building allows inspection prior to light engine install.
- Simple plug-and-play connection between frame and light engine from below ceiling.

### Retrofit

- Easily updates legacy Calculite downlights to the latest LED technology. Includes light engine, trim, and driver mounted on cover plate that mounts to junction box of previous Calculite generations. Order with R or RH option code at end of light engine catalog number (see details on page 6).

#### Compatibility:

Frames	Engines
<b>With CFL</b> S4118_series	<b>Use Retrofit configuration</b> C4R_ Trim + C4L_ Engine
<b>With INC</b> AS400_series	<b>Use Retrofit configuration</b> C4R_ Trim + C4L_ Engine
<b>With LED</b> C4L_N series C4X4L_N series P4RD_N_series	<b>Use Retrofit configuration</b> C4R_ Trim + C4L_ Engine C4S_ Trim + C4L_ Engine C4R_ Trim + C4L_ Engine

\* Not available for retrofitting luminaires with integral emergency battery.

### Emergency

Bodine BSL6 6W battery pack with self-test/diagnostic functionality. Factory or field mounted to frame.

- For trim with integral emergency test switch, order trim with IEM6 option (ex: C4RDLCIEM6).
- For remote ceiling mounted test switch, order standard trim (ex: C4RDLC). Optional accessory ceiling mounting plate available (CAEM6TSCP) for remote mounted test switch.
- Refer to Calculite-LyteProfile-EasyLyte Emergency Battery Pack specification sheet for more details.

### Dimming

All configurations are FCC Class A unless otherwise specified.

- Advance 0-10V 1% (Z10), logarithmic curve is standard. Specify D2O for factory-set dim-to-off function, consult factory for linear dimming curve.
- EldoLED SOLODrive (SOL) 0-10v 0.1%
- Lutron PEQ0 (L) Hi-Lume Premier 0.1% EcoSystem
- Lutron LDE1 (L01) EcoSystem 1%
- Lutron LTE (LTE) Hi-Lume 2-wire phase cut 1%
- Electronic low voltage (E) - forward or reverse phase dimming. Remodel and AirSeal IC Shallow are FCC Class B
- DALI (D) - DT6 DALI 0.1%
- DMX (DMX) - Digital Multiplexing with RDM 0.1%

#### Dimming Options

The following are factory-set options for the SOL, D, and DMX driver options (ex. DMXLIN):

- SOL/D/DMX: Logarithmic (-) standard
- SOL/D/DMX: Linear (LIN)
- SOL/DMX: Square (SQR)
- Dim to Warm (D2W): option changes CCT from 3000-1800K gradually as it dims. Use with Z10 dimming only. Fixture-to-fixture consistency of  $\leq 3$ SDCM at 2700K & 3000K, and  $\leq 5$ SDCM at 1800K.

### Optical systems

#### Comfort throughout the space:

True 50° physical cutoff and 45° reflected cutoff.

#### Quality of light:

2 SDCM ensures color consistency from fixture to fixture and over the luminaire's long lifetime.

#### MesoOptics PET optical diffusion film:

Provides a smooth beam shape and mitigates color over angle with optimized luminaire efficiency.

### Light engine

Quick connect power pack allow for easy installation and replacement from below ceiling with no need for additional wiring. This allows for:

- Frame and ceiling installation to be performed while still finalizing details such as lumen packages, CCT and control type.
- Easy replacement of electronics at end of life with minimal wasted material and labor required.
- Ease and upgradability of technology.
- 347V light engines are Z10 dimming only and include dedicated 347V driver. For 347V non-Z10 dimming, order T347-75VA field-installed step-down transformer accessory.

### Options and Accessories

#### Flangeless mud-in ring: Use CA4RFT

For use with flangeless plaster installations.

**Sloped ceilings:** Compatible with sloped ceiling adapters (see SCA spec sheet).

**C4RVPWH:** Includes machined aluminum ring painted white, gasketed for IP65 protection, and impact resistant polycarbonate lens (IK10). Locks in place with discrete setscrew (key included). Available also with antimicrobial finish (C4RVPWHAMF).

**CAEM6TSCP:** Ceiling cover plate for remote mounted EM6 test switch. 1/2" (25mm) hole, 4 3/8" (109mm) x 2 3/4" (69mm) rectangular. Includes two mounting screws.

**Field install EM6 kit with Bodine BSL6 6W battery pack with self-test/self-diagnostic:** Includes remote ceiling plate for test switch. To mount test switch to trim for new construction frame, order trim with IEM6 option code (e.g. C4RDLCIEM6). Refer to Calculite-LyteProfile-EasyLyte Emergency Battery Pack specification sheet for more details.

**CAEM6:** For use with UniFrame frame in kits.

**LCEM6:** For use with Flex intall (F) light engines.

**SBA:** Interact Ready System Bridge Accessory Requires IRT9015 IR remote and Interact Pro App for commissioning.

**T347-75VA:** Field installable 347:120V 75VA step-down transformer, attaches to knock out on frame junction box, for use with non-IC (N) or remodel (R) frames.

### ENERGY STAR® exceptions

- 500lm & 90 CRI configurations
- Champagne Bronze & Black finishes
- 347V & Emergency voltage/options
- Dali, EldoLED Solo & PoE drivers

### Title 24 exceptions

- 1000lm configurations
- Champagne Bronze & Black finishes

### Labels and Listings

- cULus listed for wet locations
- ENERGY STAR® certified
- RoHS certified
- CEC Title 24 JA8 certified
- CCEA (frames with \*LC suffix)
- IP65 rated with vandal proof accessory

### Warranty



5 year limited warranty  
Visit Signify.com/warranties for more information on Signify's standard 5-year limited warranty on complete luminaire systems.

# C4RDL Calculite LED 4" gen 3

## Round Downlight



### AccuRender Technology (CRI 90+)

The right light brings colors to life. Our new AccuRender technology helps ensure colors are rendered more accurately and consistently, while doing so as efficiently as CRI 80 products.



**Standard CRI 80**  
Good color rendering and high efficacy



**Standard CRI 90**  
Better color rendering and low efficacy



**AccuRender**  
Best color rendering, color preference and high efficacy

### Enjoy design flexibility

Full range of products and options:

- Available soon in across Lightolier portfolio for application flexibility
- Multiple color temperatures (CCTs) and lumen packages offered

### Promote savings

High efficacy, with no penalty:

- Energy efficacy compares well to conventional 80 CRI
- Up to 25% more energy savings vs competitor 90 CRI<sup>1</sup>
- Helps meet Title 24 requirements

### Show your true colors

High color rendering:

- True to life colors that help energize your environment and render better flesh tones critical for healthcare hospitality and retail applications.
- $R_a$  up to 94 CRI    •  $R_r$  up to 92 TM-30
- $R_g$  up to 67 CRI    •  $R_{e,ht}$  up to 91 TM-30
- $G_a$  up to 99 CRI    •  $R_g$  up to 100 TM-30
- $C_g$  up to 94 CRI    •  $R_{cs,ht}$  up to -5% TM-30

### Achieve color balance

Best in class color consistency:

- Promote aesthetic harmony in your space with  $\leq 2$  SDCM

## Round Downlight

Photometric – Downlights with CRI of 90+ & R9 of 50+

Lumen Package	Beam	Flux (lm)	Efficacy (lm/W)	Beam Angle	CBCP	CRI	R9	IES TM-30-18			UGR
								$R_r$	$R_g$	$R_{cs,ht}$	
500 lm	Narrow (N)	609	101	39°	1409	90+	50+	91	100	-6%	0
	Medium (M)	625	102	53°	769	90+	50+	91	99	-6%	0
	Wide (W)	570	93	69°	378	90+	50+	91	99	-6%	0
1000 lm	Narrow (N)	905	104	39°	2094	90+	50+	91	100	-6%	0
	Medium (M)	1056	105	53°	1300	90+	50+	91	99	-6%	0
	Wide (W)	963	95	69°	638	90+	50+	91	99	-6%	0
1500 lm	Narrow (N)	1347	101	39°	3118	90+	50+	91	100	-6%	1
	Medium (M)	1510	108	53°	1859	90+	50+	91	99	-6%	2
	Wide (W)	1385	99	69°	917	90+	50+	91	99	-6%	1
2000 lm	Narrow (N)	1778	101	39°	4115	90+	50+	91	100	-6%	2
	Medium (M)	1937	105	53°	2385	90+	50+	91	99	-6%	2
	Wide (W)	1779	97	69°	1178	90+	50+	91	99	-6%	2
2500 lm	Narrow (N)	2107	98	39°	4875	90+	50+	91	100	-6%	3
	Medium (M)	2431	103	53°	2992	90+	50+	91	99	-6%	3
	Wide (W)	2233	95	69°	1479	90+	50+	91	99	-6%	3
3000 lm	Narrow (N)	2587	93	39°	5987	90+	50+	91	100	-6%	3
	Medium (M)	2991	101	53°	3682	90+	50+	91	99	-6%	4
	Wide (W)	2702	91	69°	1790	90+	50+	91	99	-6%	4

# C4RDL Calculite LED 4" gen 3

## Round Downlight

### interact

	Gateway Connected		
	Standalone	Option 1	Option 2
Dimming, grouping, and zoning	✓	✓	✓
Bluetooth and ZigBee enabled	✓	✓	✓
Motion sensing and daylight harvesting	✓	✓	✓
Integration with 0-10V and phase dimming fixtures	✓	✓	✓
Code compliance	✓	✓	✓
Granular dimming and dwell time	✓	✓	✓
Correlated color temperature (CCT) tuning by switch	New	✓	✓
Support for sensor-based Tunable White luminaires	New	✓	✓
Energy reporting and monitoring		✓	✓
Scheduling		✓	✓
Demand response		✓	✓
BMS integration (BACnet)			✓
Floor plan visualization			✓
IoT sensors for wellness			✓
IoT Apps for productivity			✓

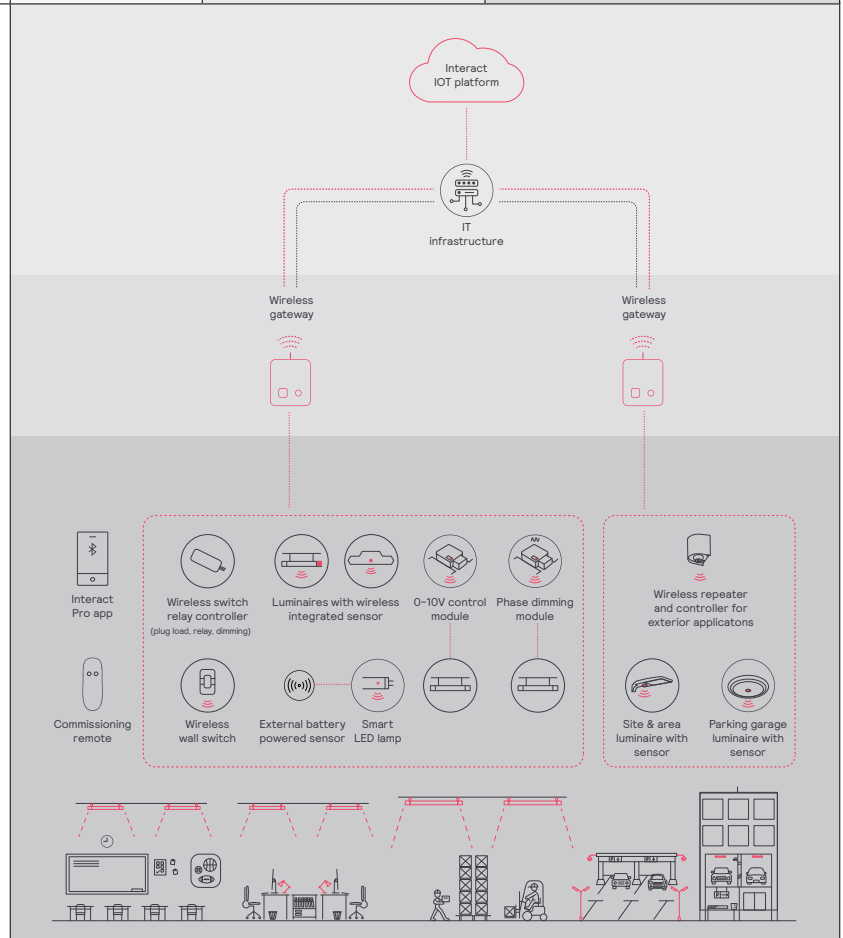
### Currently supported maximum system size

To be able to design the lighting system correctly for the customer, it is important to know the prime characteristics of the system, its possibilities and limitations.

System level	
Total number of gateways	Unlimited
Total number of devices	200 per network
• Luminaires with integrated sensors	150
• Smart TLEDS	150
• Zones + groups	64
Total number of ZGP devices (sensors and switches)	50
• Sensors	30
• Switches	50

Group level	
Recommended number of lights	40 (maximum 150)
Number of ZGP devices	5
Number of scenes	16



# C4RDL Calculite LED 4" gen 3

## Round Downlight

### Wireless controls options

#### Interact

- SWZCS is a connected sensor with integral occupancy and daylight sensing and supports wireless mesh connectivity.
- The sensor works in the standalone mode (similar to SpaceWise) when configured without a gateway or in a cloud connected mode if a compatible gateway is used.
- Interact includes an App, a portal and a broad portfolio of wireless luminaires, lamps and retrofit kits all working on the same system.
- Startup is implemented via Interact Pro App (Android or iPhone) & Bluetooth connectivity. The App provides flexibility to choose between a gateway or non gateway mode for setup.
- Setup with the gateway requires wired internet access to the gateway. It is possible to add a gateway at a later point.
- Prepare project configuration steps remotely and use IRT9015 remote on-site to identify and group devices together.

#### Compatible with:

- SWS200 & UID8465 wireless scene switch
- Battery powered IP42 presence sensor OCC sensor IA CM WH 10/1
- Battery powered IP42 presence & daylight sensor OCC-DL sensor IA CM IP42 WH
- LCN3110: battery powered IP65 presence sensor, OCC sensor IA CM IP65W
- LCN3120: battery powered IP65 presence & daylight sensor, OCC-DL sensor IA CM IP65 WH
- For more information on Interact visit: [interact-lighting.com/interactproscalablesystem](https://interact-lighting.com/interactproscalablesystem)

#### Radio only sensor (RA or RADIO)

- Integral RA or RADIO only sensor simply enables wireless mesh connectivity to the luminaire without any occupancy or daylight sensing.
- Ideal for applications where sensing functionality is managed by other Interact devices and the luminaire only needs to have wireless connectivity.
- Interact includes an App, a portal and a broad portfolio of wireless luminaires, lamps and retrofit kits all working on the same system.
- Startup is implemented via Interact Pro App (Android or iPhone) & Bluetooth connectivity. The App provides flexibility to choose between a gateway or non-gateway mode for setup.
- Setup with the gateway requires wired internet access to the gateway. It is possible to add a gateway at a later point.
- Prepare project configuration steps remotely, identify and group devices together onsite.
- Compatible with SWS200 and UID8465 wireless scene switch, wireless Occ sensor (OCC SENSOR IA CM IP42 WH 10/1) and wireless Day/Occ sensor (OCC MULTI SENSOR IA CM WH 10/1).
- For more information on Interact visit: [interact-lighting.com/interactproscalablesystem](https://interact-lighting.com/interactproscalablesystem)

#### Sensor bundle (IAOSB or SB)

- A wireless IoT connected lighting solution for large enterprises that span across multiple floors, buildings and require multiple gateways.
- View all your projects under one dashboard and easily compare insights from multiple projects in one view.
- Compatible with SWS200 wireless scene switch, wireless Occ sensor (OCC SENSOR IA CM IP42 WH 10/1) and wireless Day/Occ sensor (OCC MULTI SENSOR IA CM WH 10/1) and wireless Occupancy or Daylight & Occupancy sensors available. Use Interact software and insights to increase building efficiency, achieve building wide integration and optimize space through occupancy analytics.
- IAOSB or SB option in addition to occupancy and daylights sensing supports advanced IoT capabilities, such as people estimation analysis, desk level temperature & humidity sensing, noise classification, and BLE beacon.
- Requires compatible Gateway and internet connectivity for commissioning.
- For more information, visit: [interact-lighting.com/interactproscalablesystem](https://interact-lighting.com/interactproscalablesystem)

#### Emergency Options (ER100)

- **Power Sensing** (factory default) – Recommended UL924 option requires unswitched power sense line, absence of voltage on the normal circuit triggers luminaire to 100% output.
- **Power Interruption Detection** (field option) – Detects AC power interruption >30ms triggers 90 minute emergency mode with luminaire at 100% output.

# C4RDL Calculite LED 4" gen 3

## Round Downlight

### Polished Reflectors



**Specular clear (CL):** Most specular and most efficient finish, delivers maximum photometric performance but can produce a mirror image effect of the interior space.



**Champagne bronze (CZ):** Semi-specular finish that softens light at the source of the reflector while providing a warmer reflector appearance (slightly warmer).



**Comfort clear (CC):** Semi-specular finish that softens the light at the source of the reflector and creates a subtle, even luminance from the reflector cone.



**White (WH):** (matte) Brightest illuminated aperture and provides the smoothest transition to most ceilings when off (white is only available with a white flange).



**Comfort clear diffuse (CD):** Slightly diffuse clear finish, that eliminates iridescence and reduces the mirror image effect inherent with specular finishes.



**Black (BK):** (anodized) Specular finish that provides the lowest aperture brightness possible and significantly reduces source identification in a ceiling.



**Vandal proof (VP):** Provides an elegant solution for vandal resistant needs. One piece machined aluminum ring with impact resistant clear lens. Flangeless (F) flange must be ordered. Provides the luminaire with an IK10 impact and IP65 rating.



**Shower light (SL):** Wet location rated shower light with clear acrylic lens applicable in any installation requiring dead front trims, interior or exterior non-corrosive applications, or where a diffused lens at the ceiling is required (non-conductive).

### Flanges



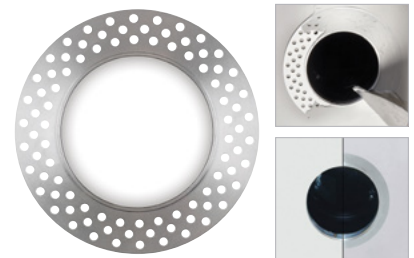
**White (-):** (matte) Provides the smoothest transition to ceilings when off.



**Polished (P):** (matches aperture) Produces a continuous look throughout the reflector (aperture matching).



**Flangeless (F):** (flush-mount) Creates a flush, virtually seamless transition from aperture to ceiling.

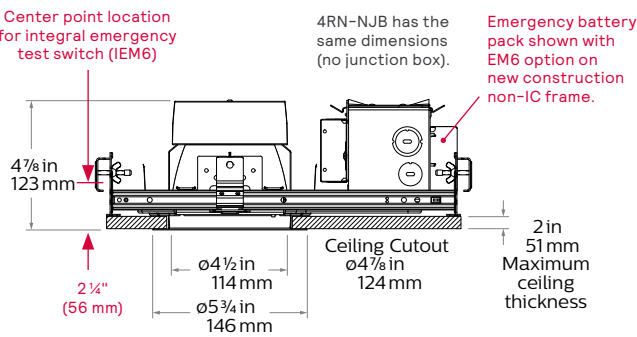
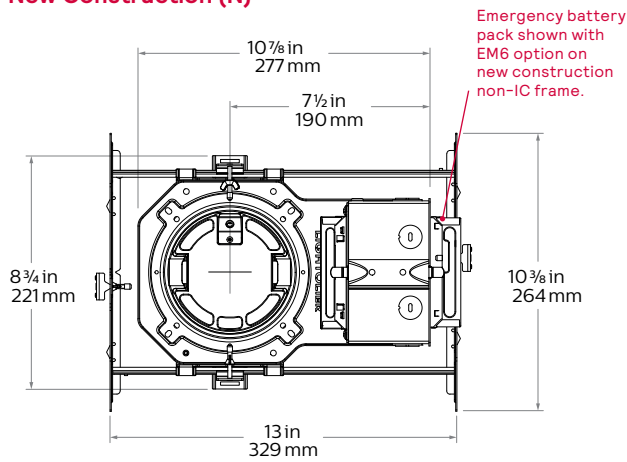


**Mud-in ring (FT):** Low profile, machined aluminum mud-in ring provides a raised rib to plaster up to and a 3/16" flange thickness. The ring is attached to the ceiling material as opposed to the frame-in kit to avoid conduction of heat and vibration which can cause yellowing or cracking of the plaster.

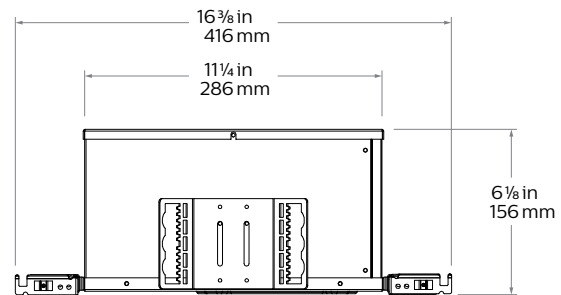
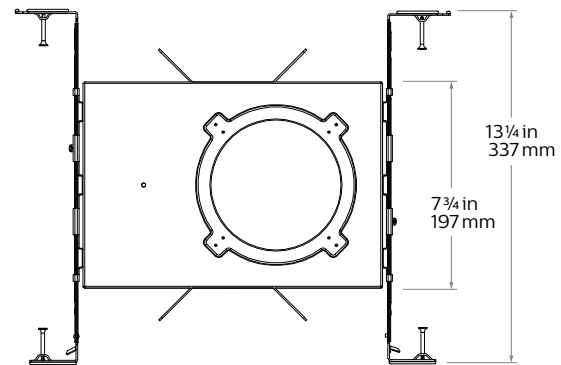
# C4RDL Calculite LED 4" gen 3

## Round Downlight

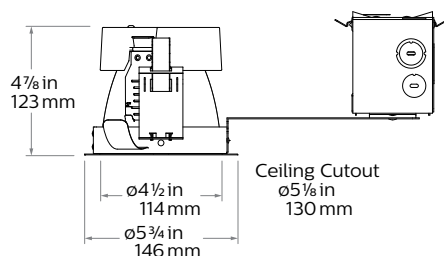
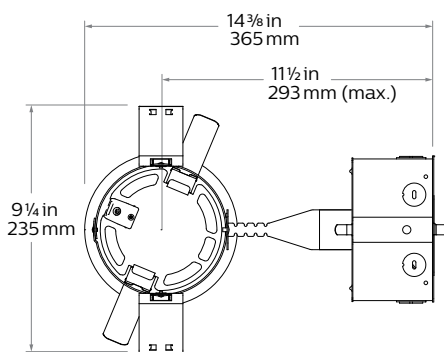
### New Construction (N)



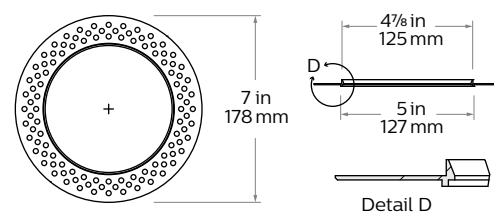
### Chicago Plenum (LC)



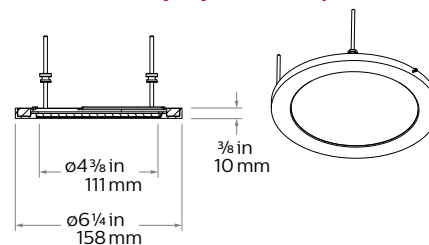
### Remodeler (R)



### Flangeless mud-in ring (CA4RFT) accessory



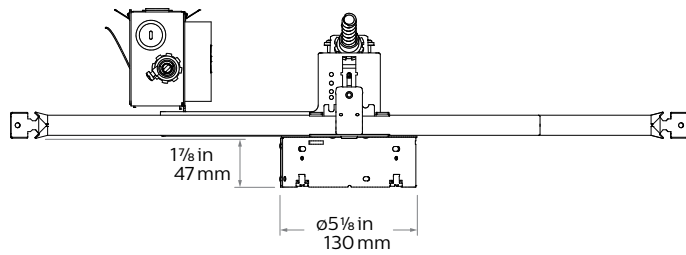
### Vandal Proof (VP) accessory



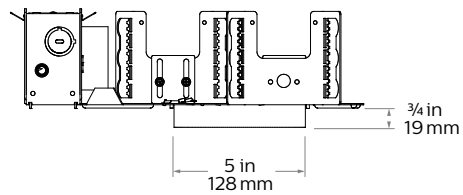
# C4RDL Calculite LED 4" gen 3

## Round Downlight

### Round tall collar frame (RH type light engine required)

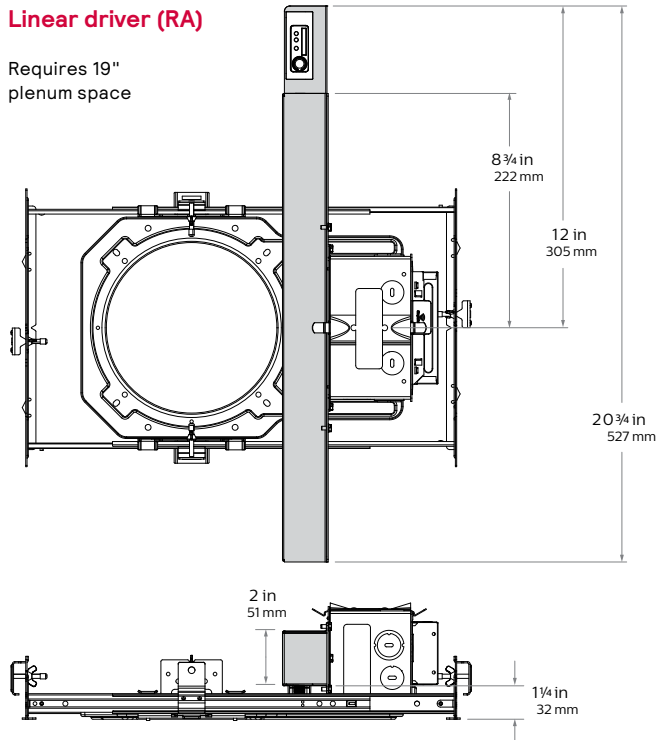


### Round standard steel frame (R type light engine required)

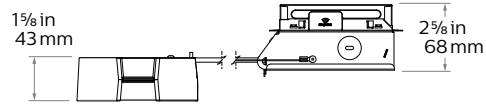
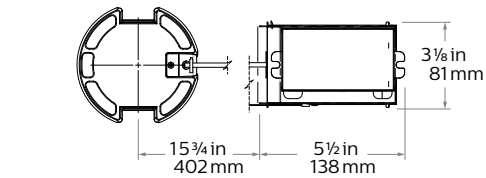


### Linear driver (RA)

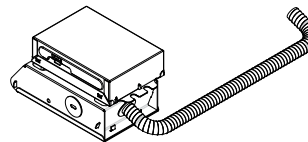
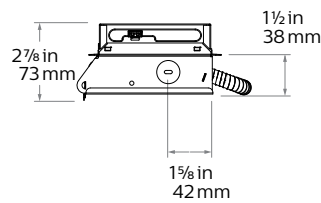
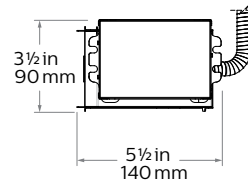
Requires 19" plenum space



### Flex Install (F)



### LCEM6 Flex install (F) engine only



\* 12" conduit with connector to j-box knock out



# C4RDL Calculite LED 4" gen 3

## Round Downlight

### Electrical - Narrow

Light engine	Input Volts	Input Freq.	Input Current	Drive Current	Input Power	LED Power	THD Factor @ Max Load	Power Factor
500lm	120V	50/60Hz	0.050A	0.15A	6.0W	4.8W	<10%	>0.9
	277V	50/60Hz	0.023A	0.15A	6.3W	4.8W	<30%	>0.9
	347V	50/60Hz	0.020A	0.15A	7.0W	4.8W	N/A	>0.9
1000lm	120V	50/60Hz	0.072A	0.22A	8.7W	7.1W	<10%	>0.9
	277V	50/60Hz	0.032A	0.22A	8.9W	7.1W	<20%	>0.9
	347V	50/60Hz	0.029A	0.22A	10.1W	7.1W	<30%	>0.9
1500lm	120V	50/60Hz	0.108A	0.33A	12.9W	10.8W	<10%	>0.9
	277V	50/60Hz	0.047A	0.33A	13.0W	10.8W	<10%	>0.9
	347V	50/60Hz	0.043A	0.33A	14.8W	10.8W	<25%	>0.9
2000lm	120V	50/60Hz	0.147A	0.45A	17.6W	14.9W	<10%	>0.9
	277V	50/60Hz	0.064A	0.45A	17.7W	14.9W	<10%	>0.9
	347V	50/60Hz	0.056A	0.45A	19.6W	14.9W	<20%	>0.9
2500lm	120V	50/60Hz	0.180A	0.55A	21.6W	18.3W	<10%	>0.9
	277V	50/60Hz	0.078A	0.55A	21.7W	18.3W	<10%	>0.9
	347V	50/60Hz	0.066A	0.55A	22.9W	18.3W	<20%	>0.9
3000lm	120V	50/60Hz	0.231A	0.70A	27.7W	23.7W	<10%	>0.9
	277V	50/60Hz	0.100A	0.70A	27.6W	23.7W	<10%	>0.9
	347V	50/60Hz	0.083A	0.70A	28.9W	23.7W	<15%	>0.9

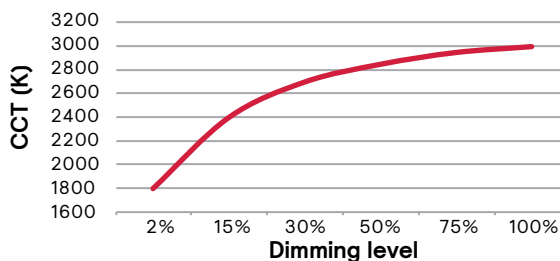
### Electrical - Medium & Wide Downlights

Light engine	Input Volts	Input Freq.	Input Current	Drive Current	Input Power	LED Power	THD Factor @ Max Load	Power Factor
500lm	120V	50/60Hz	0.051A	0.15A	6.1W	4.8W	<10%	>0.9
	277V	50/60Hz	0.023A	0.15A	6.4W	4.8W	<30%	>0.9
	347V	50/60Hz	0.020A	0.15A	7.1W	4.8W	N/A	>0.9
1000lm	120V	50/60Hz	0.084A	0.25A	10.1W	8.3W	<10%	>0.9
	277V	50/60Hz	0.037A	0.25A	10.3W	8.3W	<10%	>0.9
	347V	50/60Hz	0.034A	0.25A	11.7W	8.3W	<30%	>0.9
1500lm	120V	50/60Hz	0.117A	0.36A	14.0W	11.8W	<10%	>0.9
	277V	50/60Hz	0.051A	0.36A	14.1W	11.8W	<10%	>0.9
	347V	50/60Hz	0.046A	0.36A	16.0W	11.8W	<25%	>0.9
2000lm	120V	50/60Hz	0.153A	0.47A	18.4W	15.5W	<10%	>0.9
	277V	50/60Hz	0.067A	0.47A	18.5W	15.5W	<10%	>0.9
	347V	50/60Hz	0.059A	0.47A	20.3W	15.5W	<20%	>0.9
2500lm	120V	50/60Hz	0.197A	0.60A	23.6W	20.1W	<10%	>0.9
	277V	50/60Hz	0.085A	0.60A	23.6W	20.1W	<10%	>0.9
	347V	50/60Hz	0.072A	0.60A	24.9W	20.1W	<20%	>0.9
3000lm	120V	50/60Hz	0.247A	0.75A	29.7W	25.5W	<10%	>0.9
	277V	50/60Hz	0.107A	0.75A	29.7W	25.5W	<10%	>0.9
	347V	50/60Hz	0.087A	0.75A	30.4W	25.5W	<15%	>0.9

### Lifetime (TM-21) data

Lumens	Narrow beam	Medium/Wide beam
500lm	L85 @ 55,000hrs.	L90 @ 60,000hrs.
1000lm		
1500lm		
2000lm	L85 @ 55,000hrs.	L80 @ 60,000hrs.

### Dim-to-Warm: CCT vs Dimmed level



### Lifetime (TM-21) data

Lumens	Narrow beam	Medium/Wide beam*
500lm	L90 @ 60,000hrs.	L90 @ 60,000hrs.
1000lm		
1500lm		
2000lm	L90 @ 60,000hrs.	L85 @ 60,000hrs.
2500lm		
3000lm*		

\* Lutron 3000lm with Medium/Wide beam is L80 @ 60,000hrs.

### Marked spacing applications

Light engine	3000lm
C4L_Z10 series	X
C4L_L01 series	X
C4L_L1 series	X
C4L_LD series	X
C4L_LTE series	X
C4L_D series	X
C4L_DMx series	X
C4L_RA series	X

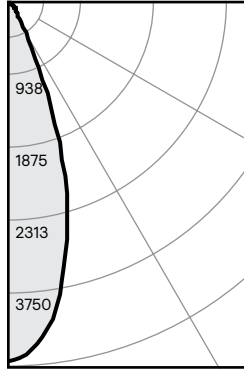
Modules marked with an X require marked spacing:  
 - Center-to-center of adjacent luminaires: 24" (610mm)  
 - Luminaire center to side building member: 12" (305mm)  
 In accordance with CAN ICES-005-A/ NEB-005-A and FCC Part 15-A.

# C4RDL Calculite LED 4" gen 3

## Round Downlight

### Narrow beam, 1500lm Engine, 117lm/W at 13W

#### Candela Curve



#### 4RN / C4L15935N / C4RDLCL

Output lumens: 1492 lms  
 Input watts: 12.8 W  
 CRI: 90 min  
 CCT<sup>1</sup>: 3500K  
 Spacing Crit.: 0.62  
 Beam Angle: 36°

#### Zonal summary

Zone	Lumens	%Luminaire
0-30	1322	88.6%
0-40	1437	96.3%
0-60	1490	99.9%
0-90	1492	100.0%

Angle	Mean CP	Lumens
0	3676	
5	3512	
10	3039	320
15	2364	
20	1536	639
25	769	
30	312	363
35	171	
40	135	115
45	64	
50	8	51
55	2	
60	1	2
65	1	
70	0	1
75	0	0
80	0	0
85	0	0
90	0	0

#### Single unit data

Height to lighted plane	Initial center beam foot-candles	Beam diameter (ft)*
5'	102	4.8'
6'	80	5.4'
7'	65	6.0'
8'	45	6.6'
9'	19	8.7'

\* Beam diameter is where foot-candles drop to 50% of maximum.

#### Multiple unit data - RCR 2

Spacing on center	Initial center beam foot-candles	Watts per sq. ft.
5'	63.0	0.57
6'	42.0	0.37
7'	30.0	0.27
8'	25.0	0.22
9'	20.0	0.18

38' x 38' x 10' Room, Workplane 2.5' above floor, 80/50/20% Reflectances

Efficacy: 116.6lm/W  
 Report<sup>2</sup>: STMR-2974

#### Adjustment factors

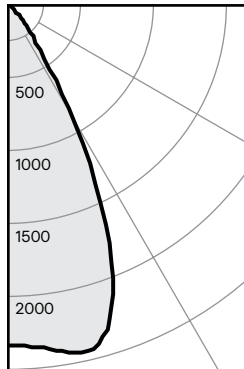
Finish	CCT	Lumens
CL = 100%	90CRI, 4000K = 102%	3000lm = 200%
CC = 95%	90CRI, 3500K = 100%	2500lm = 167%
CD = 87%	90CRI, 3000K = 96%	2000lm = 133%
CZ = 63%	90CRI, 2700K = 92%	1500lm = 100%
WH = 87%		1000lm = 67%
BK = 57%		500lm = 33%

#### Coefficients of utilization

Ceiling	80%				70%		50%		30%		0%	
	70	50	30	10	50	10	50	10	50	10	0	
Wall	70	50	30	10	50	10	50	10	50	10	0	
RCR	Zonal cavity method - Effective floor reflectance = 20%											
Room Cavity Ratio	0	119	119	119	119	116	116	111	111	106	106	100
	1	114	112	110	108	110	106	106	103	102	100	95
	2	110	106	103	100	104	99	101	96	98	94	91
	3	106	100	96	93	99	92	97	91	94	89	87
	4	102	96	91	88	94	87	92	86	91	85	83
	5	98	91	86	83	90	82	89	82	87	81	79
	6	94	87	82	79	86	78	85	78	84	77	76
	7	91	83	78	75	83	75	82	74	80	74	73
	8	88	80	75	72	79	72	78	71	77	71	70
	9	85	77	72	69	76	69	75	68	75	68	67
	10	82	74	69	66	73	66	73	66	72	66	64

### Medium beam, 1500lm Engine, 108lm/W at 14W

#### Candela Curve



#### 4RN / C4L15935M / C4RDLCL

Output lumens: 1510 lms  
 Input watts: 14.0 W  
 CRI: 90 min  
 CCT<sup>1</sup>: 3500K  
 Spacing Crit.: 0.92  
 Beam Angle: 54°

#### Zonal summary

Zone	Lumens	%Luminaire
0-30	1242	82.3%
0-40	1450	96.0%
0-60	1508	99.9%
0-90	1510	100.0%

Angle	Mean CP	Lumens
0	1859	
5	1871	
10	1924	180
15	1910	
20	1677	527
25	1204	
30	661	535
35	307	
40	154	208
45	69	
50	9	55
55	2	
60	1	3
65	1	
70	0	1
75	0	0
80	0	0
85	0	0
90	0	0

#### Single unit data

Height to lighted plane	Initial center beam foot-candles	Beam diameter (ft)*
5'	74	4.6'
6'	52	5.5'
7'	38	6.4'
8'	29	7.4'
9'	23	8.3'

\* Beam diameter is where foot-candles drop to 50% of maximum.

#### Multiple unit data - RCR 2

Spacing on center	Initial center beam foot-candles	Watts per sq. ft.
5'	70.0	0.62
6'	46.0	0.41
7'	32.0	0.29
8'	27.0	0.24
9'	22.0	0.19

38' x 38' x 10' Room, Workplane 2.5' above floor, 80/50/20% Reflectances

Efficacy: 107.9lm/W  
 Report<sup>2</sup>: STMR-1613

#### Adjustment factors

Finish	CCT	Lumens
CL = 100%	90CRI, 4000K = 102%	3000lm = 200%
CC = 95%	90CRI, 3500K = 100%	2500lm = 167%
CD = 87%	90CRI, 3000K = 96%	2000lm = 133%
CZ = 63%	90CRI, 2700K = 92%	1500lm = 100%
WH = 87%		1000lm = 67%
BK = 57%		500lm = 33%

#### Coefficients of utilization

Ceiling	80%				70%		50%		30%		0%	
	70	50	30	10	50	10	50	10	50	10	0	
Wall	70	50	30	10	50	10	50	10	50	10	0	
RCR	Zonal cavity method - Effective floor reflectance = 20%											
Room Cavity Ratio	0	119	119	119	119	116	116	111	111	106	106	100
	1	114	111	109	107	109	105	105	102	101	99	94
	2	109	104	101	97	103	96	99	94	96	92	89
	3	104	98	93	90	97	89	94	88	92	86	83
	4	99	92	87	83	91	83	89	82	87	81	79
	5	95	87	82	78	86	77	84	77	83	76	74
	6	90	82	77	73	81	72	80	72	79	72	70
	7	86	78	72	68	77	68	76	68	75	67	66
	8	83	74	68	64	73	64	72	64	71	64	62
	9	79	70	65	61	70	61	69	61	68	60	59
	10	76	67	61	58	66	58	65	57	65	57	56

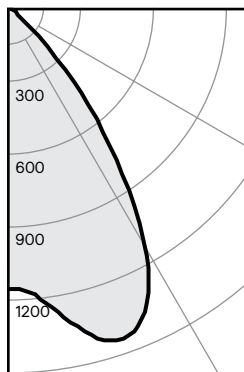
1. Correlated Color Temperature within specs as defined in ANSI\_NEMA\_ANSLG C78.377-2008: Specifications for the Chromaticity of Solid State Lighting Products.  
 2. Tested using absolute photometry as specified in LM79: IESNA Approved Method for the Electrical and Photometric Measurements of Solid-State Lighting Products.

# C4RDL Calculite LED 4" gen 3

## Round Downlight

Wide beam, 1500lm Engine, 99lm/W at 14W

### Candela Curve



4RN / C4L15935W / C4RDLCL

Output lumens: 1385 lms  
 Input watts: 14.0 W  
 CRI: 90 min  
 CCT<sup>1</sup>: 3500K  
 Spacing Crit.: 1.26  
 Beam Angle: 67°

### Zonal summary

Zone	Lumens	%Luminaire
0-30	886	64.0%
0-40	1264	91.3%
0-60	1384	99.9%
0-90	1385	100.0%

Angle	Mean CP	Lumens
0	917	
5	941	
10	1025	93
15	1116	
20	1135	314
25	1063	
30	873	479
35	606	
40	366	378
45	134	
50	15	116
55	3	
60	2	4
65	1	
70	1	1
75	0	
80	0	0
85	0	
90	0	0

### Single unit data

Height to lighted plane	Initial center beam foot-candles	Beam diameter (ft)*
5'	37	6.3'
6'	25	7.6'
7'	19	8.8'
8'	14	10.1'
9'	11	11.3'

\* Beam diameter is where foot-candles drop to 50% of maximum.

### Multiple unit data - RCR 2

Spacing on center	Initial center beam foot-candles	Watts per sq. ft.
5'	63.0	0.62
6'	42.0	0.41
7'	29.0	0.29
8'	25.0	0.24
9'	20.0	0.19

38' x 38' x 10' Room, Workplane 2.5' above floor, 80/50/20% Reflectances

**Efficacy: 98.9lm/W**  
 Report#: STMR-1641.1

### Adjustment factors

Finish	CCT	Lumens
CL = 100%	90CRI, 4000K = 102%	3000lm = 200%
CC = 95%	90CRI, 3500K = 100%	2500lm = 167%
CD = 87%	90CRI, 3000K = 96%	2000lm = 133%
CZ = 63%	90CRI, 2700K = 92%	1500lm = 100%
WH = 87%		1000lm = 67%
BK = 57%		500lm = 33%

### Coefficients of utilization

Ceiling	80%					70%		50%		30%		0%
	70	50	30	10	50	10	50	10	50	10	0	
Wall	0											
RCR	Zonal cavity method - Effective floor reflectance = 20%											
Room Cavity Ratio	0	119	119	119	119	116	116	111	111	106	106	100
1	113	110	108	106	108	104	104	101	101	100	98	93
2	107	102	98	95	101	93	97	91	94	89	86	86
3	102	95	90	85	93	85	91	83	88	82	79	79
4	96	88	82	78	87	77	85	76	83	75	73	73
5	91	82	76	71	81	71	79	70	77	70	67	67
6	86	76	70	65	75	65	74	65	72	64	62	62
7	81	71	65	60	70	60	69	60	68	59	58	58
8	77	66	60	56	66	56	65	55	64	55	53	53
9	72	62	56	52	62	52	61	51	60	51	50	50
10	69	58	52	48	58	48	57	48	56	48	46	46

1. Correlated Color Temperature within specs as defined in ANSI\_NEMA\_ANSLG C78.377-2008: Specifications for the Chromaticity of Solid State Lighting Products.  
 2. Tested using absolute photometry as specified in LM79: IESNA Approved Method for the Electrical and Photometric Measurements of Solid-State Lighting Products.

