

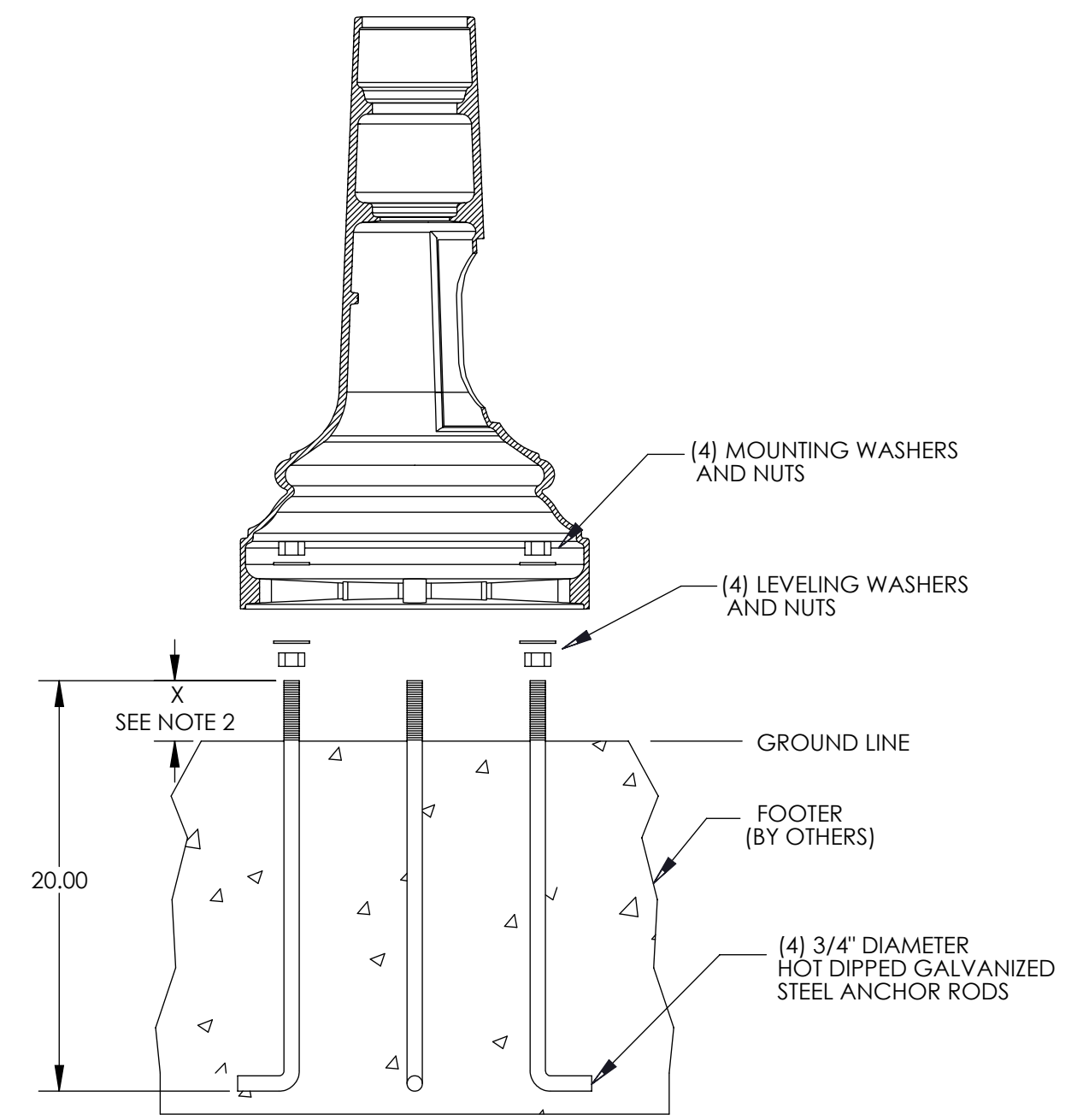
STREET SIDE

HOUSE SIDE

VERIFY BOLD LINE IS 8" LONG

OPTIONAL CHAIN LOOP LOCATIONS FOR TRADITIONAL BOLLARDS ONLY

ACCESS DOOR



- NOTES:
- SUGGESTED BOLT CIRCLE: 12" DIAMETER  
 MAXIMUM BOLT CIRCLE: 12" DIAMETER  
 MINIMUM BOLT CIRCLE: 8" DIAMETER
  - HADCO STRONGLY RECOMMENDS USING LEVELING NUTS TO MOUNT THE POST BASE. IF FOUNDATION IS NOT LEVEL, INCREASE "X" DIMENSION ACCORDINGLY WHEN USING LEVELING NUTS WITH WASHERS.  
 X = 3" WITH LEVELING NUTS  
 X = 2 1/4" WITHOUT LEVELING NUTS
  - IF USING GROUTING TO CONCEAL GAP BETWEEN BASE AND FOUNDATION, ALLOW FOR WATER DRAINAGE.

|  |  |                    |  |              |
|--|--|--------------------|--|--------------|
|  | CONFIDENTIAL: This drawing is confidential and proprietary to Signify Holdings and may not be reproduced in whole or in part without the express written consent of Signify Holdings.<br>© 2018 Signify Holdings. All rights reserved. |                    | TITLE:<br>ANCHOR ROD TEMPLATE FULL SIZE FOR P3100 SERIES POSTS |              |
|  | DRAWN BY: C. CARR  | DATE: 11/16/00     | DWG NO: T01000345  | SIZE: D      |
|  | CHECKED BY: B. DORON   | DATE: 7/30/09      | MATERIAL:<br>22 X 34 WHITE BOND PAPER                          |              |
|  | APPR BY: M. N. BANKERT   | DATE: 6/15/01      | * DO NOT SCALE THIS DRAWING *                                  |              |
| UNLESS OTHERWISE SPECIFIED:<br>*ALL DIMENSIONS ARE IN INCHES.<br>*ALL THREADS ARE UNC-2B OR UNF-2B AFTER COATING.<br>*ALL THREADS ARE TO BE VERIFIED WITH A THREAD GAGE. |  | EF-04-01-11 Rev.08 | SCALE: 1:1   | SHEET 1 OF 1 |