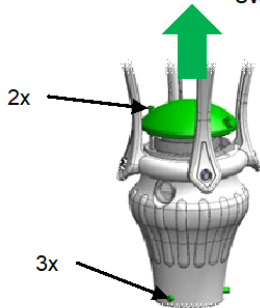
**WARNING Protect personnel against electrical shocks**

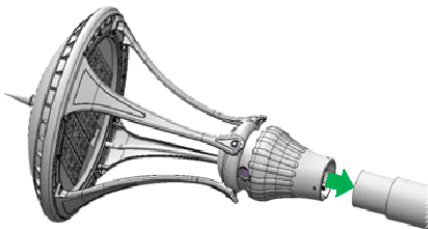
The luminaire connections shall be performed by qualified personnel in conformance with local and national electrical codes. Ensure that the AC service is OFF before installation or maintenance. Do not switch AC service to ON until the entire installation is complete.

**Tools Required:**

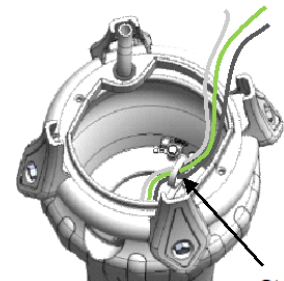
- Phillips screw driver
- 5/32" allen wrench/driver (set screws) or 1/2" socket/driver (hex bolts)
- Torque wrench capable of 7 – 11 ft.lbs. torque

1) Prepare for Installation

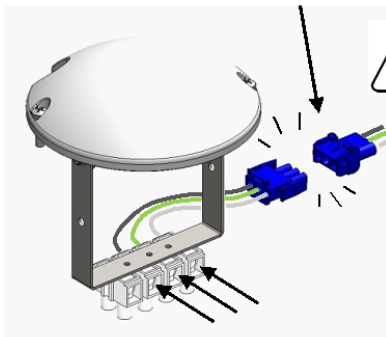
- Loosen pole fasteners, if required
- Out Wires: If supply wires are strain-relieved in pole, make connections to supplied out wires.
- Terminal Block: Loosen two (2) captive screws and remove pod cover.
 - Pull 12 to 18 inches of wire beyond top of pole.
 - Remove supplied out wires from terminal block and install pole wires.

**2) Install on Pole**

- Ensure that wires are not pinched.
- Slip luminaire onto pole
- Torque pole fasteners as follows:
 - Set screws - 7 ft. lbs.
 - Hex bolts - 11 ft. lbs.



Quick Connects

**CAUTION Prevent over torque damage**

Do not over torque nuts and bolts.

- Strain relieve supply wires using wire tie in pod if needed.

3) Connect Supply Wires

- Insert supply wires into terminal block (if applicable)

4) Install Photo Cell (if applicable)**5) Re-install Pod Cap**

- Ensure that wires are not pinched
- Tighten two (2) screws to secure pod cover

6) Restore AC power