

**READ AND UNDERSTAND THESE INSTRUCTIONS BEFORE INSTALLING FIXTURE**

This fixture is intended for installation in accordance with the National Electrical Code and local regulations. To assure full compliance with local codes and regulations, check with your local electrical inspector before installation. To prevent electrical shock, turn off electricity at fuse box before proceeding.

Retain these instructions for maintenance reference.

INSTRUCTION SHEET NO.

**IS:6020T**

1193 Page 1 of 1

**BASIC LYTESPAN TRACK LIGHTING SUPPLEMENT  
FOR USE WITH BASIC LYTESPAN TRACK SYSTEMS ONLY  
THIS INSTRUCTION SHEET TO BE INCLUDED WITH INSTRUCTION SHEETS:  
6020, 6046, 6048, 6049, 6062, 6063, 6065, 6066, 6069**

**INSTRUCTIONS FOR SELECTING AND PREPARING TRACK CONNECTORS  
TO FIT ALTERNATE TRACK DESIGNS**

**TRACK WITH ROUND CONDUCTORS**

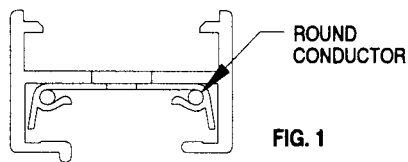
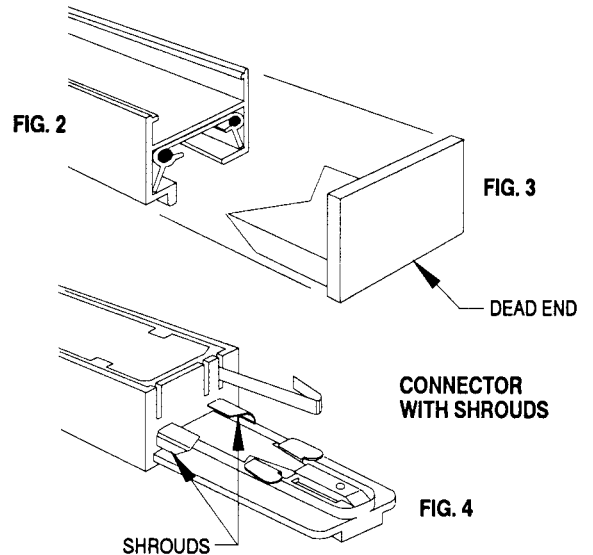


FIG. 1

**BASIC TRACK SECTION**

Use DEAD END shown in Fig. 3 for track with ROUND CONDUCTORS. (Fig. 1 & 2)

The CONNECTOR must have both SHROUDS in place (Fig. 4) when used with track with ROUND CONDUCTORS. (Fig. 1 & 2)



**TRACK WITH "U" SHAPED CONDUCTORS**

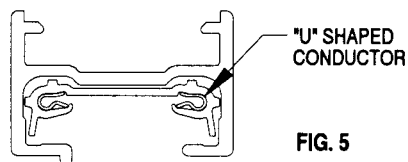


FIG. 5

**BASIC TRACK SECTION**

Use DEAD END shown in Fig. 7 for track with "U" SHAPED CONDUCTORS. (Fig. 5 & 6)

The CONNECTOR must have both SHROUDS cut off (Fig. 8) when used with track with "U" SHAPED CONDUCTORS. (Fig. 5 & 6)

