

Project: \_\_\_\_\_

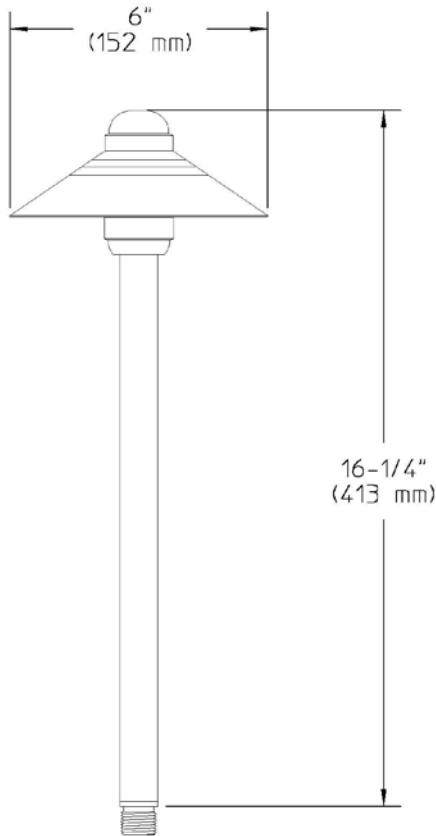
Location: \_\_\_\_\_

Cat.No: \_\_\_\_\_

Type: \_\_\_\_\_

Lamps: \_\_\_\_\_ Qty: \_\_\_\_\_

Notes: \_\_\_\_\_



### Ordering Guide

Example: CUL6 S7 \_

Product Code	CUL6	Copper Pathlyte	
Mounting	S7	Mounting Stake	*1
Finish	_	Natural Copper	*2

\*1 Mounting stake option only available with Natural Copper Pathlyte.

\*2 When ordering Natural Copper, product code will read as CUL6.

### Spacing Chart

### Specifications

#### HOUSING:

Spun solid copper roof with copper stem. Machined brass threaded adapter for tool-less relamping. 1/2" NPS male threads to screw onto accessory mounting stake or junction box, sold separately.

#### FINISH:

Natural Copper is bright polished, untreated copper. Color will age naturally to a fine dark copper patina.

#### OPTICAL ASSEMBLY:

Reflective white powdercoat on underside of roof. Frosted tempered glass lens.

#### LAMPING:

20W maximum T3 bi-pin lamp. Lamp is included with fixture. Lower wattage lamps are acceptable.

#### ELECTRICAL ASSEMBLY:

Bi-pin socket type (G4) with 250° C high temperature teflon coated wire leads. 12 Volt fixture is pre-wired with 3-ft pigtail of 18-2 AWG, 105° C, SPT-1W wire. Low voltage quick connector, catalog #LVC3 included for easy hook-up to the low voltage supply cable, not included. 12 Volt system requires remote transformer, not included.

# CUL6 Pathlyte

## Copper

### Specifications

---

**WARRANTY:**

Ten-year limited warranty.

**CERTIFICATIONS:**

Manufactured to ISO 9001:2008 Standards. ETL listed to U.S. safety standards for wet locations. cETL listed to Canadian safety standards for wet locations.

**Height :**

16 1/4" (413mm)

**Width:**

6" (152mm)

**Max. Weight:**

2.75 lb

