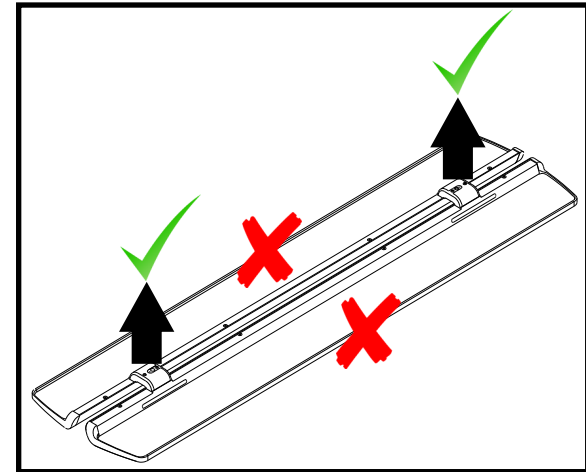
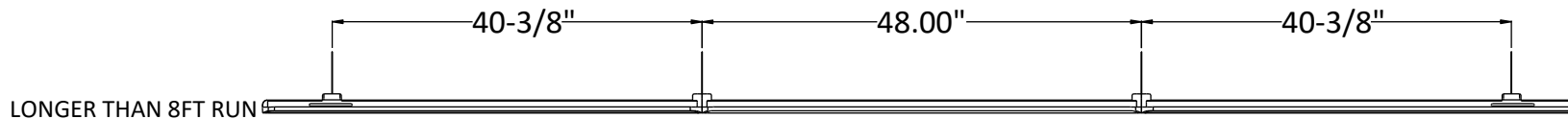
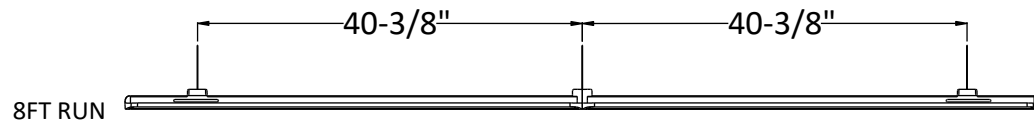
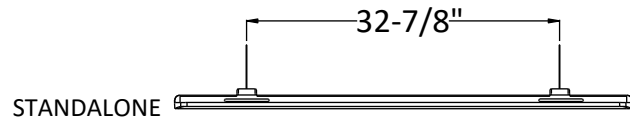


! IMPORTANT SAFETY AND HANDLING PROCEDURES

- **DO NOT POWER UP ROW UNTIL ALL FIXTURES ARE INSTALLED AND CONNECTED**
- AVOID HANDLING THE BOTTOM LENS
- KEEP LUMINAIRE IN THE BOX UNTIL READY TO BE INSTALLED
- MAKE SURE ALL LUMINAIRES AND JOINT KITS ARE ACCOUNTED FOR BEFORE BEGINNING INSTALLATION
- LEAVE THE PROTECTIVE BAG ON THE FIXTURE DURING INSTALLATION



MOUNT LOCATIONS



ONLY END LUMINAIRES ARE MOUNTED AT 40-3/8". MID RUN LUMINAIRES ARE ALWAYS 48" MOUNTS

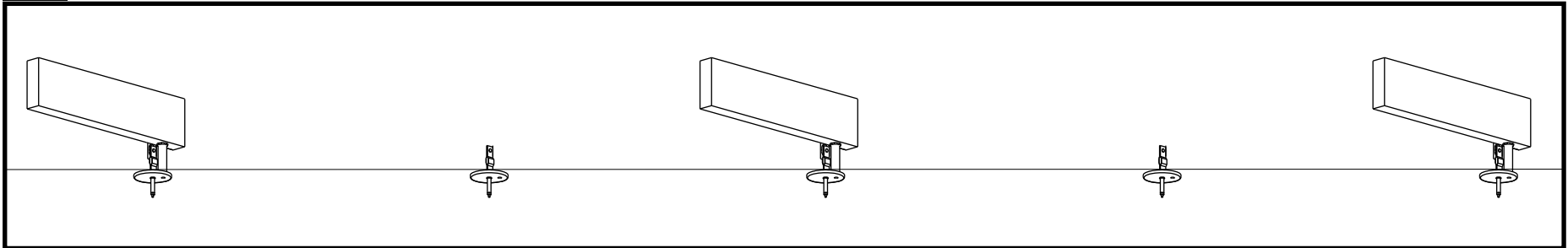
Installation Steps Overview:

1. Install driver pods and non-powered mounts (reference ID-DP_DriverPod.PDF)
2. Install joiner brackets in luminaires at floor level at the ends of the rows first
3. Install luminaires with power cords at the end of the row
4. Install mid-run luminaires with power cords
5. Install mid-run luminaires without power cords
6. Level row and trim aircraft cable

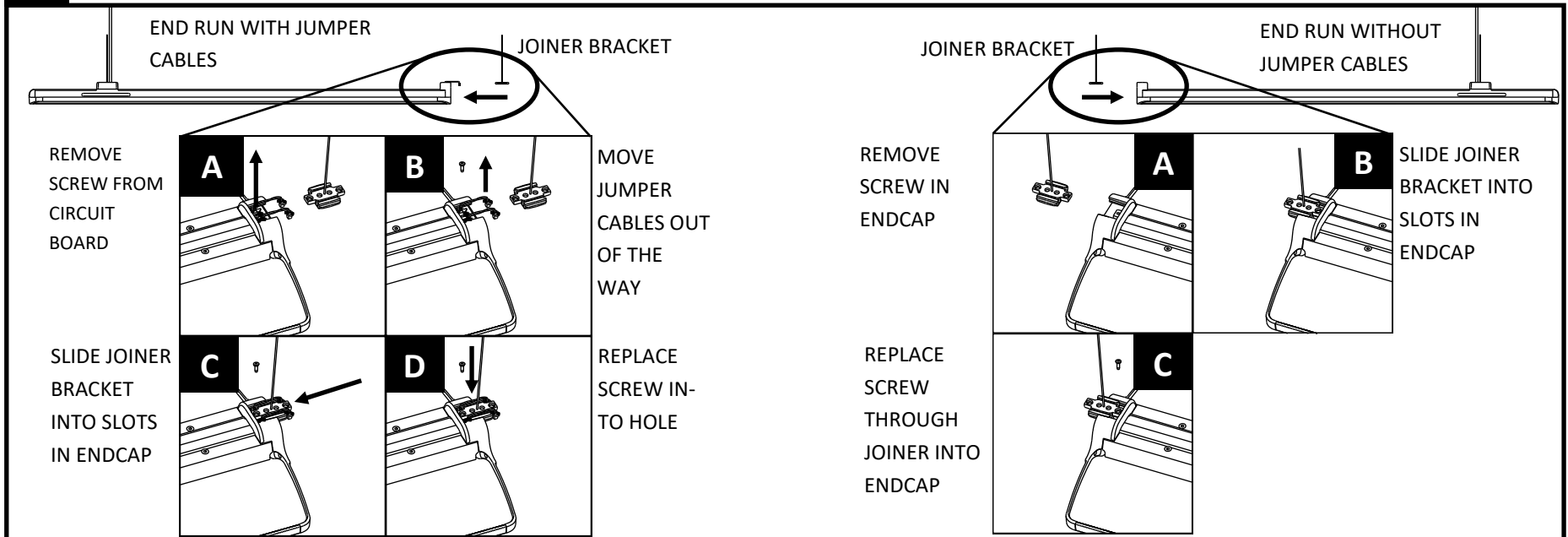
NOTES:

- Prior to luminaire installation, lay out fixtures to ensure correct power and non-power sections with ends and joints are supplied
- Instructions below are based on an example run of 16ft, 6800LM, EM

1 INSTALL DRIVER PODS AND NON-POWERED MOUNTS (SEE ID-DP_DriverPod.PDF)

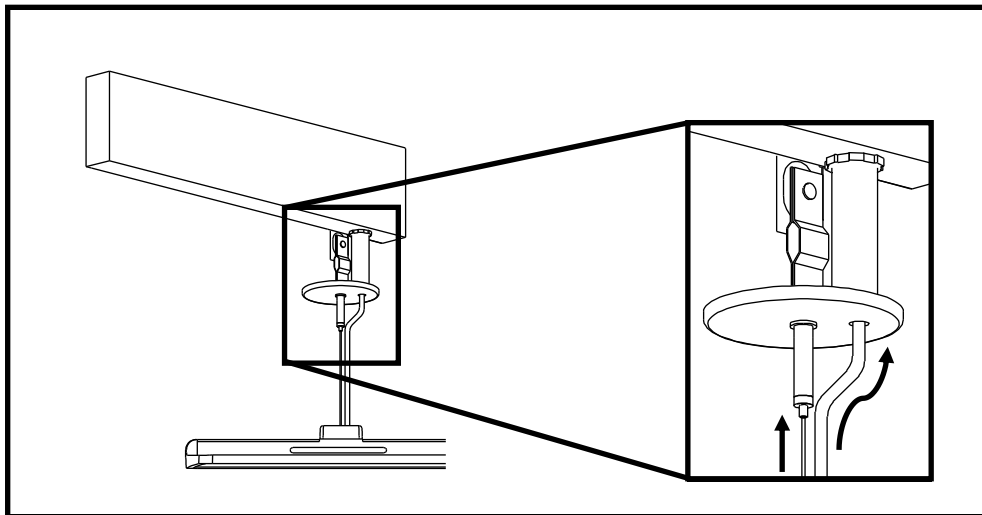
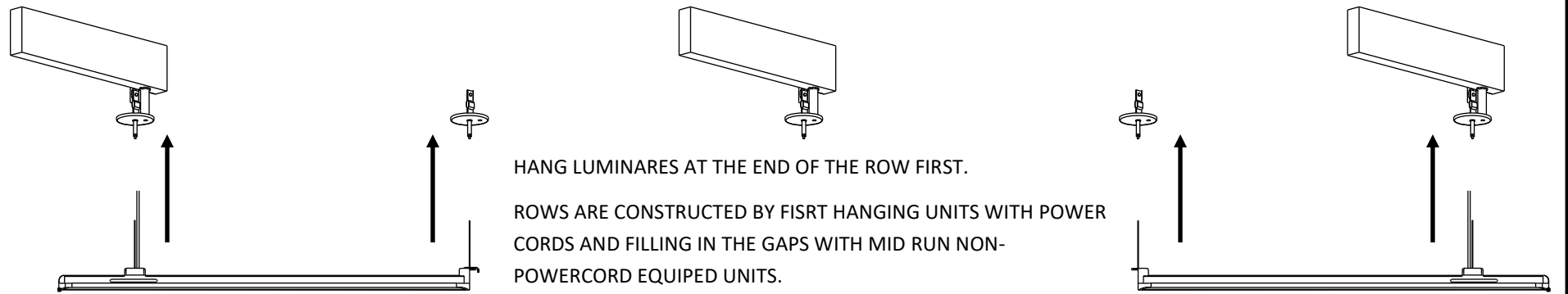


2 INSTALL JOINER BRACKETS IN LUMINAIRES AT FLOOR LEVEL AT THE ENDS OF THE ROW FIRST

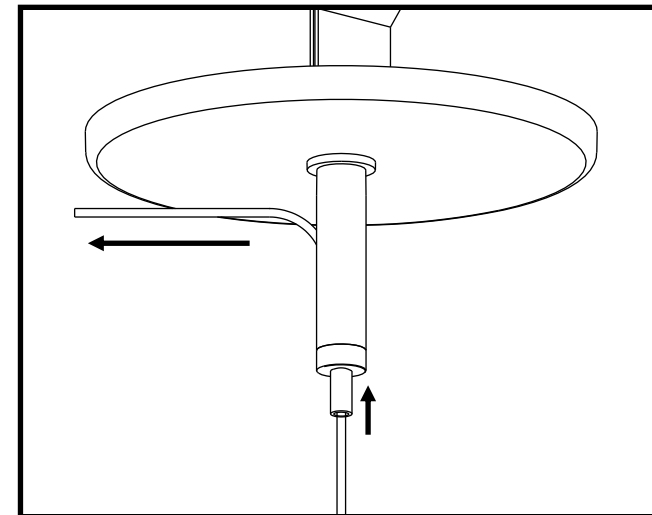


! ATTENTION: Install in accordance with national and local building and electrical codes.

3 INSTALL LUMINAIRES WITH POWER CORDS AT THE END OF THE ROW



PUSH AIRCRAFT CABLES INTO AND THROUGH ADJUSTERS. FEED POWER CORD INTO DRIVER POD. (SEE DRIVER POD SPECIFIC SECTION FOR WIRING)

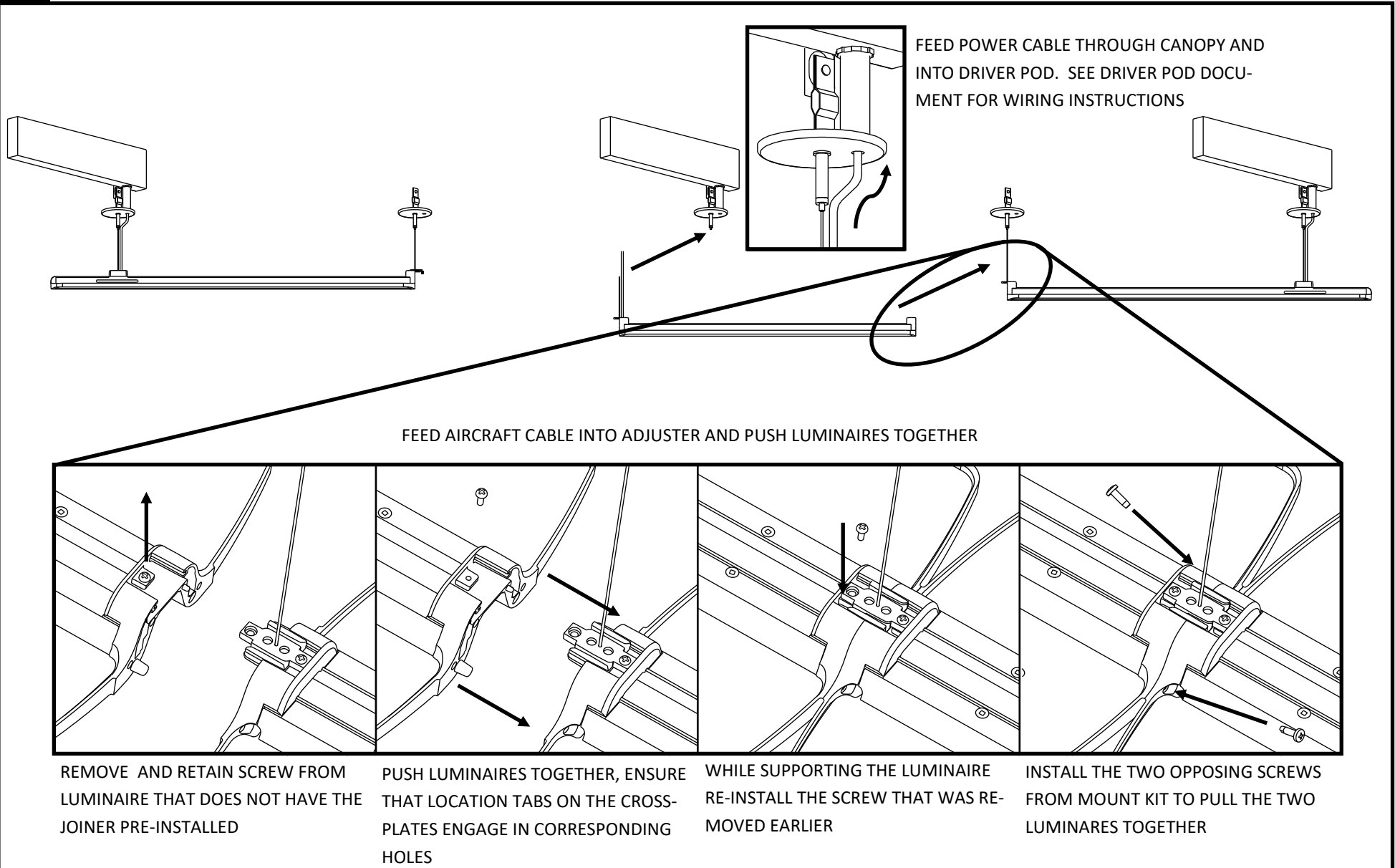


TO RELEASE AIRCRAFT CABLE PUSH UP ON THE SMALL PLUNGER ON THE BOTTOM OF THE ADJUSTER.

CAUTION: ALWAYS HOLD ONTO LUMINAIRE WHEN RELEASING AIRCRAFT CABLE

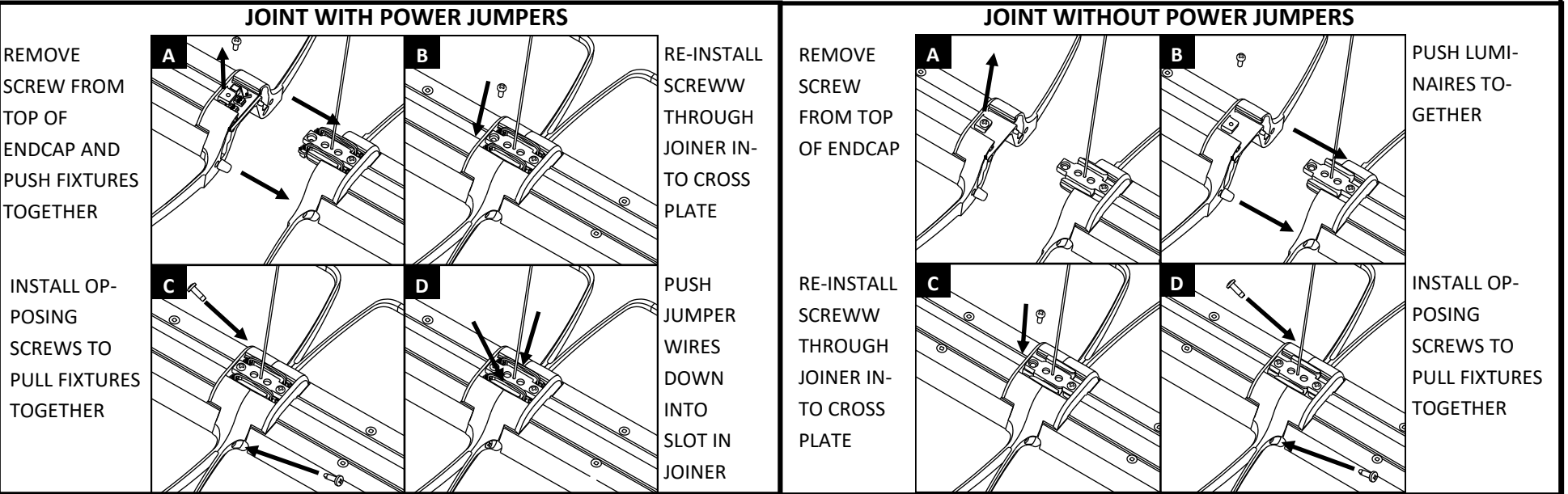
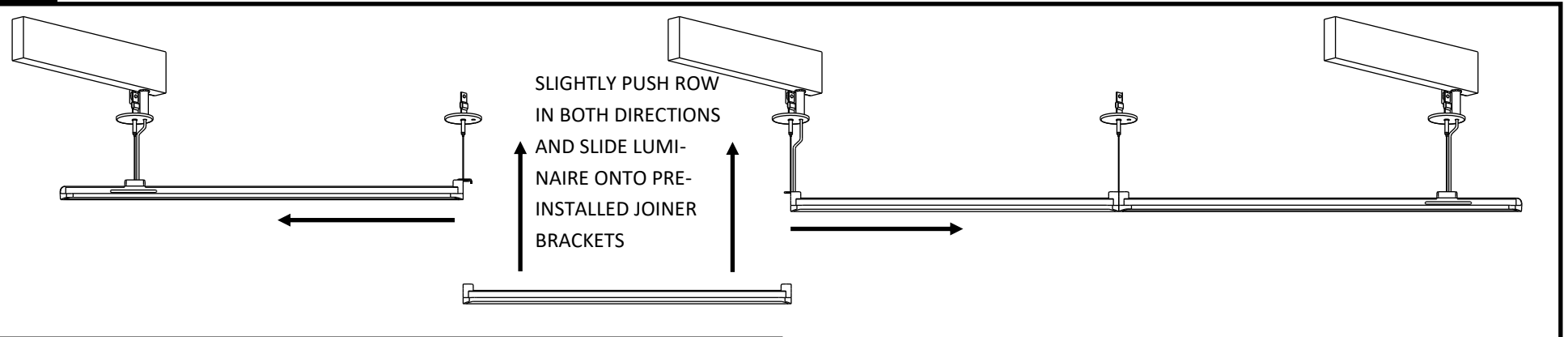
! ATTENTION: Install in accordance with national and local building and electrical codes.

4 INSTALL MID RUN LUMINAIRES WITH POWER CABLES



! **ATTENTION: Install in accordance with national and local building and electrical codes.** PAGE 4

5 INSTALL MID RUN LUMINAIRES WITH OUT POWER CORDS



6 LEVEL ROW

- LEVEL ROW USING TOP MOUNTED AIRCRAFT ADJUSTER (SEE ID-DP_DriverPod.PDF)
- REMOVE PLASTIC BAG WHEN BUILDING CONSTRUCTION IS FINISHED

! ATTENTION: Install in accordance with national and local building and electrical codes.