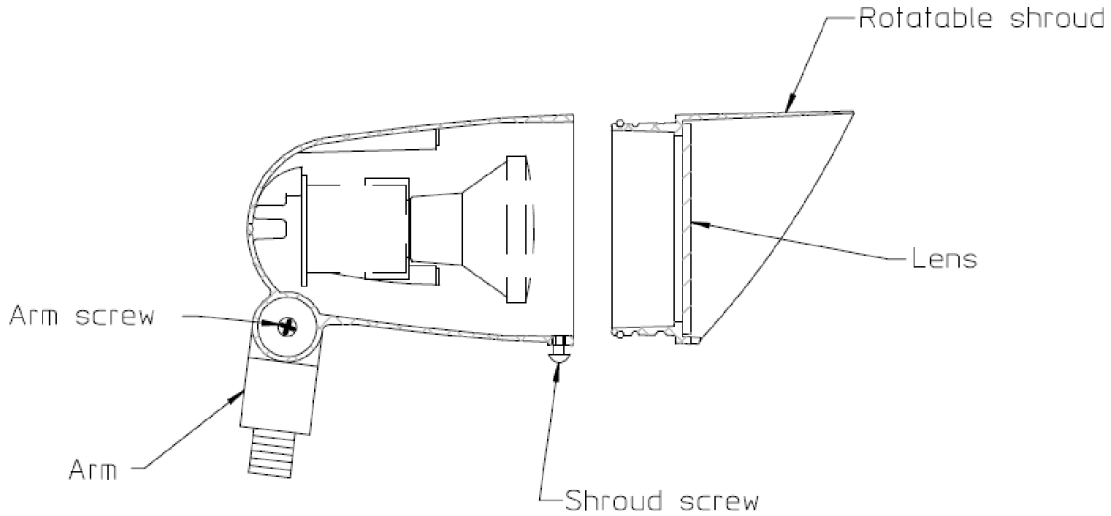
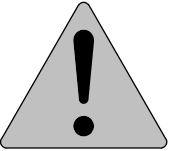


INSTALLATION INSTRUCTIONS: 120V SMALL COMPOSITE, BRASS AND ALUMINUM BULLYTES



Possible lamps to be used are...

Wattage	Lamping	
50W MAX	PAR20	INCANDESCENT
50W MAX	R20	INCANDESCENT
50W MAX	PAR20	MH
70W MAX	T4	MH



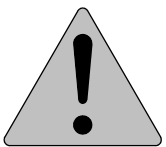
This fixture is intended for installation in accordance with the National Electrical Code and local code specifications. Failure to adhere to these codes and instructions may result in serious injury and/or damage to the ballast and void the warranty. These instructions do not purport to cover all details or variations in equipment, nor to provide for every possible contingency related to installation, operation, maintenance, or mounting situation. Should specific problems occur that are not addressed by these instructions, contact your Sales Representative or distributor for assistance. Retain these instructions for future reference.



SAFETY WARNING:

ALWAYS TURN FIXTURE OFF/DISCONNECT POWER AND ALLOW TO COOL BEFORE PERFORMING ANY MAINTENANCE, INCLUDING RELAMPING AND CLEANING!

This fixture can become very HOT! The fixture housing and lens, especially if it is glass, can become hot enough to blister hands. Attention should be paid to where the fixture is mounted, particularly if it can be touched by children or pets. To help prevent premature failure, decreased performance, overheating and risk of fire, keep fixture and lens clean and free of leaves, mulch, debris and mineral deposits from water. The fixture and lens can be cleaned using a soft cloth and a solution of mild liquid soap and warm water. Wipe clean and dry with a soft, lint-free dry cloth. Avoid polishing fixture or lens.



INSTRUCTIONS PERTAINING TO A RISK OF FIRE OR INJURY TO PERSONS IMPORTANT SAFETY INSTRUCTIONS - SAVE THESE INSTRUCTIONS!

WARNING - Lamp gets HOT quickly! To reduce the risk of FIRE OR INJURY TO PERSONS:

- Do not operate fixture with a missing or damaged lens/lens assembly.
- Contact only switch or plug when turning fixture on or off. Do NOT touch hot lens or housing.
- Turn off or unplug fixture and allow to cool before relamping. Keep lamp away from combustibles.
- Do NOT touch lamp with bare hands at any time, use a soft cloth as oil from skin may damage lamp.

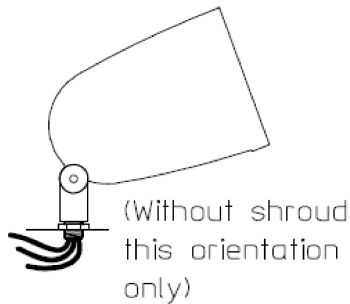
INSTALLATION INSTRUCTIONS

1. Make sure power is OFF before installing or servicing this fixture.
2. The fixture must be mounted to a UL listed junction box or mounting stake. Stake S3 may be used or boxes M0029, B11, B12, B13, B14, CB1, TM2 or any IBH ballast box.
3. Thread wires through hole in stake cap or junction box lid. Screw arm of fixture onto stake cap or lid. Lock into desired position by tightening arm locknut.
4. Connect white supply wire to white fixture wire, black supply wire to black fixture wire and supply ground wire to fixture ground wire. Use wire connectors (not supplied) to secure connections. For HID applications, follow wiring diagram on ballast.
5. Attach cap/lid to stake/box, making sure not to pinch wires.
6. If fixture includes a shroud, loosen the shroud screw and remove the shroud.
7. Install specified lamp according to lamp label on fixture and/or the chart on the front of this sheet.
8. If shroud was included, or purchased separately, put shroud on fixture and tighten shroud screw.
9. Loosen screw in arm, aim fixture as desired and tighten arm screw.
10. Turn power ON.

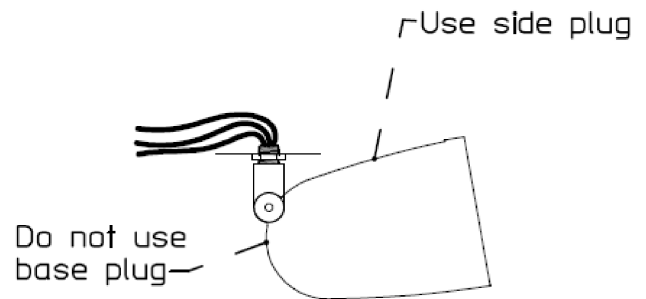
NOTE:

1. PLUGS FACTORY INSTALLED WHENEVER SHROUD IS ORDERED/SUPPLIED WITH LUMINAIRE. If shroud is optional and is ordered as an accessory, plugs are optional and are not required.
2. USE DRAIN HOLE PLUGS WITH INC. PAR LAMPS WHEN USED WITHOUT SHROUD:
Aiming above the horizontal:
 - A. If fixture is mounted with the arm below the housing, the rubber drain hole plugs at the rear and bottom of the fixture should NOT be used.
 - B. If the fixture is mounted with the arm above the base of the housing, the rubber plug in the side of the fixture must be used but the one in the base of the fixture should NOT be used.Aiming below the horizontal:
 - C. Both plugs must be used if the fixture is aimed below 90°.

(A) Do not use plugs



(B) Use one plug



(C) Use both plugs

