

Project: _____

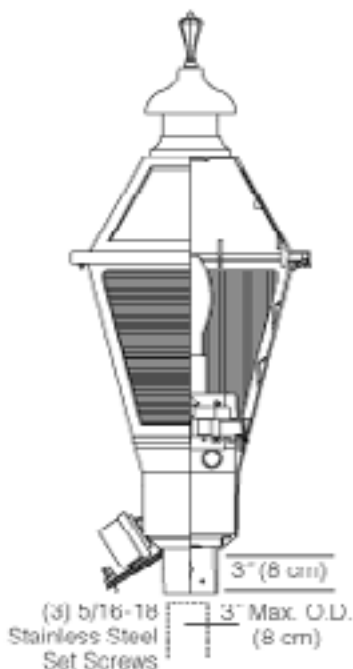
Location: _____

Cat.No: _____

Type: _____

Lamps: _____ Qty: _____

Notes: _____



Ordering Guide

Example: V651 A B3 N D 70S E

Product Code	V651	Baltimore	
Finish	A	Black	
	B	White	
	G	Verde	
	H	Bronze	
	J	Green	
Optics	B3	Type III Refractive Panels	
	B5	Type V Refractive Panels	
	T3	Type III Cutoff	
	T5	Type V Cutoff	
	V3	Vertical Rib Type III	
	V5	Vertical Rib Type V	
Photo Control	N	None	
	B	Button Eye Photo Control	
	R	Twist-lock Receptacle	*1
Socket	D	Medium	
	G	Mogul	
Wattage	70S	70W HPS	
	100S	100W HPS	
	150S	150W HPS	
	250S	250W HPS	*2
	70H	70W MH	*3
	100H	100W MH	*3
	150H	150W PMH	
250H	250W PMH	*2	
Voltage	E	120V	
	F	208V	
	G	240V	
	H	277V	
	K	347V	

*1 Twistlock receptacle (R) not available with 347V (K).

*2 Available with Mogul base (G) socket only.

*3 Available with Medium base (D) socket only.

Specifications

HOUSING:

360 low-copper die-cast aluminum alloy . Tool-less lamp access. Hinged roof with stainless steel spring latch. Tool-less ballast access. Twistlock ballast assembly with quick disconnects for easy maintenance. A weatherproof ballast assembly isolates the ballast from water and heat for longer life. The optional photo control eye or twist-lock receptacle is located in the ballast enclosure for easy access via a removable door. All non-ferrous fasteners prevent corrosion and ensure longer life. Slip Fitter Dimensions: 3" I.D. x 3" deep .

FINISH:

Thermoset polyester powdercoat is electrostatically applied after a five-stage conversion cleaning process and bonded by heat fusion thermosetting. Laboratory tested for superior weatherability and fade resistance in accordance with ASTM B117 specifications. For larger projects where a custom color is required, contact the factory for more information.

OPTICAL ASSEMBLY:

Type III Refractive Panels. Type V Refractive Panels. Optically designed, U.V. stabilized, injection molded, acrylic refractive panels. Type III Cutoff. Type V Cutoff. Precision formed, segmented specular aluminum internal cutoff reflector with horizontal lamp mounting. Decorative frosted glass chimney. Type III Vertical Rib (precision formed, segmented specular aluminum internal cutoff reflector with horizontal lamp mounting). Type V Vertical Rib (specular aluminum internal cutoff reflector with horizontal lamp mounting). (NOTE: No decorative frosted glass chimney.) U.V. stabilized, injection molded, clear acrylic panels. Tool-less removal panels for ease of cleaning.

V651 Baltimore

Post top

Specifications

LAMPING:

MH and HPS Medium base: E17. MH and 250W HPS Mogul base: ED28. 70W-150W HPS Mogul base: ED23.5.

ELECTRICAL ASSEMBLY:

Twistlock Ballast Assembly with Quick Disconnects for easy maintenance. Ballasts are HPF core and coil. 4kv rated porcelain mini-can base. Nickel-plated screw shell with center contact. 4kv rated mogul base porcelain socket. Nickel-plated screw shell with center contact.

BALLAST:

All HID ballasts are core and coil and regulated with power factors better than 90% (HPF). Ballast provides +/- 5% lamp power regulation with +/- 10% input voltage regulation. Ballasts are factory pre-wired and tested. Metal halide ballasts are capable of starting at -20° F or -30° C and HPS at -40°F or -40°C. NOTE: All ballasts are EISA / Title 20 / Title 24 compliant where applicable.

CERTIFICATIONS:

ETL Listed to U.S. safety standards for wet locations. cETL listed to Canadian safety standards for wet locations. Manufactured to ISO 9001:2008 Standards.

WARRANTY:

Three-year limited warranty.

Height :

39" (99cm)

Width:

16" (41cm)

Max. EPA:

1.65 sq. ft.

Max. Weight:

28 lbs

IESNA Classifications:

Semi Cutoff: Refractive Panels

IESNA Classifications:

Cutoff: Cutoff Optics

