



CHLORIDE

by Signify

Exit/Emergency

Edge-Glo

Edge-lit LED exit sign,
wall mount



Project: _____

Location: _____

Cat.No: _____

Type: _____

Lamps: _____ Qty: _____

Notes: _____

Ordering guide

Sample #: WGLOLEDRCW*

Family	Battery	Letter/Background Colors ^{2,4}	Directional Indicator	Housing Color	Options
WGLO					
WGLO Edge-Glo Recessed Wall Housing and Panel	LED LEDX AC Only, LED Nicad Battery LED	RC Red LED on Clear RW Red LED on White	Single Face Exit Panels (Blank) R No Chevrons Chevron Right L Chevron Left D Chevron Double	W White B Black	SW Special Wording ³ Refer to special wording legend for suffix for specific messages. For example: SW-E2. Message color is available in red, other colors must be specified.

Footnotes

¹WGLO recessed housing does not have a painted finish.

²Single face signs are available with either a clear or white background.

³Special Wording is available (Refer to Special Wording legend).

⁴EXIT Panels available with 6" letters only (Consult Factory for EXIT signs with 8" letters).

*One catalog number is only required for this exit sign (includes both the Housing and the Panel/Faceplate.)

codes and standards

- UL 924 Listed (AC only exits)
- ETL Listed to UL 924 Standards
- NFPA 101, NEC, IBC, BOCA, and OSHA illumination standard
- DoE compliant

construction

Recessed Wall housings:

- 20 gauge galvanized steel housing
- Frame out the opening on the wall with the aid of the housing, and secure through the slots into the framing material.

panel/faceplates

- Injection molded clear acrylic panels with chamfered edges.
- Bottom edge is reflectorized to facilitate uniform illumination.
- Red letters and chevrons are reverse silk screened onto panels.
- Panels are pre-installed into a die-formed 18 gauge cold rolled steel frame that attaches to the recessed housing with 2 concealed wing-nuts.
- The LED strip is provided as part of panel assembly with a quick plug connector for electrical connection to housing.
- There are no exposed fasteners on faceplate.
- Standard faceplate finish is white polyester-resin powder coat.
- Optional Black finish.

electronics

- 120/277 VAC dual voltage input.
- Self-powered models include brownout detection, AC lockout, low voltage disconnect, AC power indicator and push-to-test switch.
- Operating temperature range: standard location listed: 77°F (25°C).

power consumption

- AC only red: (120VAC) .034 A, PF - 0.96, (277VAC) .015 A, PF - 0.91.
- Emergency operation red: (120VAC) .043 A, PF - 0.95, (277VAC) .019 A, PF - 0.97.

lamps

- Illumination of the exit face is accomplished with long-lasting, high output red or green LEDs.



WGLO Edge-Glo edge-lit LED exit sign, wall mount

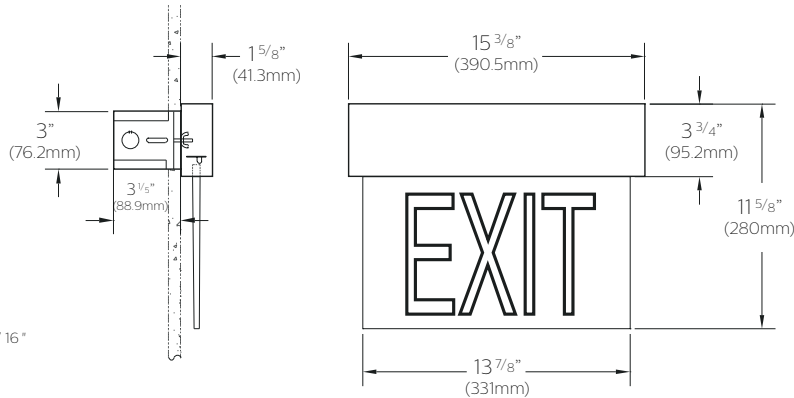
battery

- Maintenance free sealed nickel cadmium battery.
- Provides a minimum of 90 minutes of emergency power.

warranty

- Five full year warranty on electronics and unit.
- Nicad Battery: 3 year full with 7 year pro-rata.

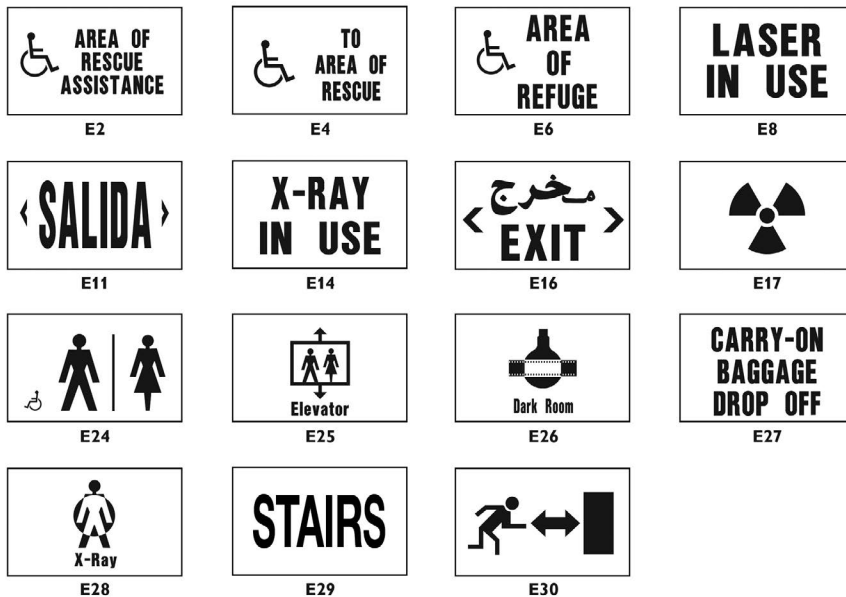
dimensions



WALL OPENING

DIMENSION: 14 5/8" x 3 1/16"

Special Wording Examples (other options available)



Buy American Act of 1933 (BAA):

This product is manufactured in one of our US factories and, as of the date of this document, this product was considered a commercially available off-the-shelf (COTS) item meeting the requirements of the BAA. This BAA designation hereunder does not address (i) the applicability of, or availability of a waiver under, the Trade Agreements Act, or (ii) the "Buy America" domestic content requirements imposed on states, localities, and other non-federal entities as a condition of receiving funds administered by the Department of Transportation or other federal agencies. Prior to ordering, please visit www.signify.com/baa to view a current list of BAA-compliant products to confirm this product's current compliance.

