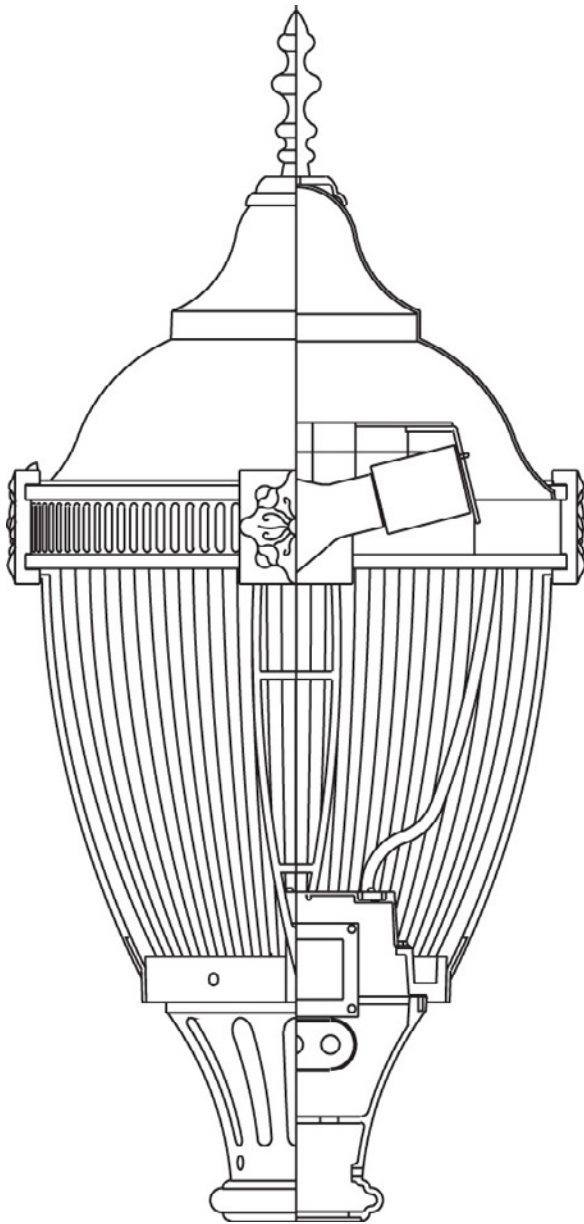


Project: \_\_\_\_\_  
 Location: \_\_\_\_\_  
 Cat.No: \_\_\_\_\_  
 Type: \_\_\_\_\_  
 Lamps: \_\_\_\_\_ Qty: \_\_\_\_\_  
 Notes: \_\_\_\_\_



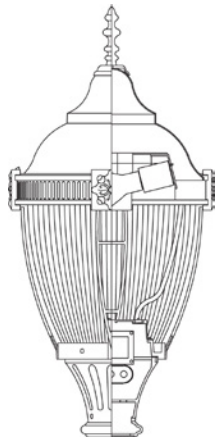
### Ordering Guide

Example: T03 A C B A 1 A 3 N D 70S E

Product Code	T03	Hagerstown	
<b>Fitter/Pod</b>	A	Octagonal Style	
	B	Round fitter w/ scalloped petals	
	C	Fluted tapered hourglass	
	D	Smooth tapered hourglass	
	E	Tapered fluted w/ scalloped petals	
	F	Short round fluted	
	G	Tall round fluted	
	H	Round contemporary	
	J	Tapered Fluted w/ round stepped fitter	
	L	Round fluted long	
T	Decorative Leaf w/ scalloped petals		
<b>Roof</b>	C	Tall	
<b>Cage / Band</b>	B	Cage for Narrow Body Globe	
<b>Finial</b>	A	A Finial	
	B	B Finial	
	C	C Finial	
	D	D Finial	
	E	E Finial	
	F	F Finial	
	G	G Finial	
	H	H Finial	
	N	None	
	<b>Fasteners</b>	1	Hex Head
2		Allen Head	
<b>Finish</b>	A	Black	
	B	White	
	G	Verde	
	H	Bronze	
	J	Green	
<b>Reflector</b>	3	Type III Cutoff	
	5	Type V Cutoff	*2
<b>Photo Control</b>	N	None	
	B	Button Eye Photo Control	
	R	Twist-lock Receptacle	*1,3
<b>Socket</b>	D	Medium	
	G	Mogul	
<b>Wattage</b>	70S	70W HPS	*4
	100S	100W HPS	*4
	150S	150W HPS	*5
	200S	200W HPS	*5
	250S	250W HPS	*5
	70H	70W MH	
	100H	100W MH	
	150H	150W MH	
	250H	250W MH	*5

# T03 Hagerstown

## HPS/MH Post Top



### Ordering Guide

Example: T03 A C B A 1 A 3 N D 70S E

Product Code	T03	Hagerstown
Voltage	E	120V
	F	208V
	G	240V
	H	277V
	K	347V

\*6

\*1 Not available with (C), (D), (E), or (F) pods.

\*2 Available with Medium base (D) socket only.

\*3 Twistlock photocell receptacle (R) in (A), (B), (G), (H), (J), and (T) pods available up to 150W HPS and 150W MH. (L) pod available in all wattages. Not available in other pods.

\*4 Not available in Mogul base (G) socket.

\*5 Available only in (A), (B), (E), (G), (H), (L), and (T) pods and with Mogul base (G) socket only.

\*6 347V (K) not available for (200S).

### Specifications

#### HOUSING:

#### OPTIONAL PODS:

A: Octagonal style fitter is constructed of die-cast 360 aluminum alloy with bottom-hinged door providing 135o entry into the fitter assembly for easy access to the electrical components. Accepts standard HADCO Twistlock ballast assemblies up to 250W HPS or 250W MH. Wiring block to accept three #8 solid or stranded wires. Optional internal twist-lock photo eye receptacle (available for 200W MH max or 150W HPS max) or optional button eye photocell. Easy access to photo eye through the door on the pod. Heavy cast aluminum post fitter utilizes four 5/16-18 black cadmium stainless steel set screws (Hex head or Allen head as specified) for mounting to 3" O.D. post tenon. Globe holder has an internal water trap to prevent water from entering ballast compartment. Globe is held by utilizing four 5/16-18 black cadmium stainless steel fasteners (Hex head or Allen head as specified). All hardware to be stainless steel and captive. Pod height is 10-3/4" and width is 10-1/4". Finish is polyester thermoset powdercoat.

B: Round fitter with scalloped petals is constructed of die-cast 360 aluminum alloy with side-hinged door providing 180o entry into the fitter assembly for easy access to the electrical components. Accepts standard HADCO Twistlock ballast assemblies up to 250W HPS or 250W MH. Wiring block to accept three #8 solid or stranded wires. Optional internal twist-lock photo eye receptacle (available for 200W MH max or 150W HPS max) or optional button eye photocell. Easy access to photo eye through the door on the pod. Heavy cast aluminum post fitter utilizes four 5/16-18 black cadmium stainless steel set screws (Hex head or Allen head as specified) for mounting to 3" O.D. post tenon. Globe holder has an internal water trap to prevent water from entering ballast compartment. Globe is held by utilizing four 5/16-18 black cadmium stainless steel fasteners (Hex head or Allen head as specified). All hardware to be stainless steel and captive. Pod height is 12-1/4" and width is 11-1/2". Finish is polyester thermoset powdercoat.

C: Fluted tapered hourglass fitter is constructed of 356 HM High-Strength, Low-Copper cast aluminum. Accepts standard HADCO Twistlock ballast assemblies up to 150W HPS or 200W MH. Wiring block to accept three #8 solid or stranded wires. Optional internal button eye photocell. Heavy cast aluminum post fitter utilizes four 5/16-18 black cadmium stainless steel set screws (Hex head or Allen head as specified) for mounting to 3" O.D. post tenon. Globe holder has an internal water trap to prevent water from entering ballast compartment. Globe is held by utilizing four 5/16-18 black cadmium stainless steel fasteners (Hex head or Allen head as specified). All hardware to be stainless steel and captive. Pod height is 8" and width is 8-3/4". Finish is polyester thermoset powdercoat.

D: Smooth tapered hourglass fitter is constructed of 356 HM High-Strength, Low-Copper cast aluminum. Accepts standard HADCO Twistlock ballast assemblies up to 150W HPS or 200W MH. Wiring block to accept three #8 solid or stranded wires. Optional internal button eye photocell. Heavy cast aluminum post fitter utilizes four 5/16-18 black cadmium stainless steel set screws (Hex head or Allen head as specified) for mounting to 3" O.D. post tenon. Globe holder has an internal water trap to prevent water from entering ballast compartment. Globe is held by utilizing four 5/16-18 black cadmium stainless steel fasteners (Hex head or Allen head as specified). All hardware to be stainless steel and captive. Pod height is 8" and width is 9-1/4". Finish is polyester thermoset powdercoat.

E: Tapered fluted fitter with scalloped flower petals is constructed of 356 HM High-Strength, Low-Copper cast aluminum. Accepts standard HADCO Twistlock ballast assemblies up to 250W HPS or 250W MH. Wiring block to accept three #8 solid or stranded wires. Optional internal button eye photocell. Heavy cast aluminum post fitter utilizes four 5/16-18 black cadmium stainless steel set screws (Hex head or Allen head as specified) for mounting to 3" O.D. post tenon. Globe holder has an internal water trap to prevent water from entering ballast compartment. Globe is held by utilizing four 5/16-18 black cadmium stainless steel fasteners (Hex head or Allen head as specified). All hardware to be stainless steel and captive. Pod height is 10" and width is 11-1/2". Finish is polyester thermoset powdercoat.

F: Short Round fluted fitter is constructed of die-cast 360 aluminum alloy. Accepts standard HADCO Twistlock ballast assemblies up to 150W HPS or 200W MH. Wiring block to accept three #8 solid or stranded wires. Optional internal button eye photocell. Heavy cast aluminum post fitter utilizes four 5/16-18 black cadmium stainless steel set screws (Hex head or Allen head as specified) for mounting to 3" O.D. post tenon. Globe holder has an internal water trap to prevent water from entering ballast compartment. Globe is held by utilizing four 5/16-18 black cadmium stainless steel fasteners (Hex head or Allen head as specified). All hardware to be stainless steel and captive. Pod height is 7-1/2" and width is 9-1/4". Finish is polyester thermoset powdercoat.

G: Tall Round fluted fitter is constructed of die-cast 360 aluminum alloy with removable door providing entry into the fitter assembly for easy access to the electrical components. Accepts standard HADCO Twistlock ballast assemblies up to 250W HPS or 250W MH. Wiring block to accept three #8 solid or stranded wires. Optional internal button eye photocell. Easy access to photo eye through the door on the pod. Heavy cast aluminum post fitter utilizes four 5/16-18 black cadmium stainless steel set screws (Hex head or Allen head as specified) for mounting to 3" O.D. post tenon. Globe holder has an internal water trap to prevent water from entering ballast compartment. Globe is held by utilizing four 5/16-18 black cadmium stainless steel fasteners (Hex head or Allen head as specified). All hardware to be stainless steel and captive. Pod height is 9" and width is 9". Finish is polyester thermoset powdercoat.

H: Round contemporary fitter is constructed of 356 HM High-Strength, Low-Copper cast aluminum. Accepts standard HADCO Twistlock ballast assemblies up to 250W HPS or 250W MH. Wiring block to accept three #8 solid or stranded wires. Optional internal twist-lock photo eye receptacle (available for 200W MH max or 150W HPS max) or optional internal button eye photocell. Easy access to photocell through tool-less door on pod. Heavy cast aluminum post fitter utilizes four 5/16-18 black cadmium stainless steel set screws (Hex head or Allen head as specified) for mounting to 3" O.D. post tenon. Globe holder has an internal water trap to prevent water from entering ballast compartment. Globe is held by utilizing four 5/16-18 black cadmium stainless steel fasteners (Hex head or Allen head as specified). All hardware to be stainless steel and captive. Pod height is 10" and width is 10". Finish is polyester thermoset powdercoat.

J: Tapered fluted fitter with round stepped fitter is constructed of 356 HM High-Strength, Low-Copper cast aluminum. Accepts standard HADCO Twistlock ballast assemblies up to 250W HPS or 250W MH. Wiring block to accept three #8 solid or stranded wires. Optional internal twist-lock photo eye receptacle. Tool-less access to photo eye through the door on the pod. Heavy cast aluminum post fitter utilizes six 5/16-18 black cadmium stainless steel set screws (Hex head or Allen head as specified) for mounting to 3" O.D. post tenon. Globe holder has an internal water trap to prevent water from entering ballast compartment. Globe is held by utilizing four 5/16-18 black cadmium stainless steel fasteners (Hex head or Allen head as specified). All hardware to be stainless steel and captive. Pod height is 14" and width is 10". Finish is polyester thermoset powdercoat.

# T03 Hagerstown

## HPS/MH Post Top

### Specifications

---

**L:** Round fluted long fitter is constructed of 356 HM High-Strength, Low-Copper cast aluminum with a side-hinged door providing entry into the fitter assembly for easy access to the electrical components. Accepts standard Hadco Twistlock ballast assemblies up to 250W HPS or 250W MH. Wiring block to accept three #8 solid or stranded wires. Optional internal twist-lock photo eye receptacle or button eye photocell. Tool-less access to photo eye through the door on the pod. Heavy cast aluminum post fitter utilizes three 5/16-18 black cadmium stainless steel set screws (Hex head or Allen head as specified) for mounting to 3" O.D. post tenon. Globe holder has an internal water trap to prevent water from entering the ballast compartment. Globe is attached using four 5/16-18 black cadmium stainless steel fasteners (Hex head or Allen head as specified). Pod height is 12-1/2" and width is 10-3/4". Finish is polyester thermoset powdercoat.

**T:** Decorative Leaf fitter with scalloped petals is constructed of 356 HM High-Strength, Low-Copper cast aluminum with side-hinged door providing 180° entry into the fitter assembly for easy access to the electrical components. Accepts standard HADCO Twistlock ballast assemblies up to 250W HPS or 250W MH. Wiring block to accept three #8 solid or stranded wires. Optional internal twist-lock photo eye receptacle (available for 200W MH max or 150W HPS max) or optional button eye photocell. Easy access to photo eye through the door on the pod. Heavy cast aluminum post fitter utilizes four 5/16-18 black cadmium stainless steel set screws (Hex head or Allen head as specified) for mounting to 3" O.D. post tenon. Globe holder has an internal water trap to prevent water from entering ballast compartment. Globe is held by utilizing four 5/16-18 black cadmium stainless steel fasteners (Hex head or Allen head as specified). All hardware to be stainless steel and captive. Pod height is 15-1/4" and width is 11-1/2". Finish is polyester thermoset powdercoat.

#### ROOF:

**C:** Roof is 0.090" thick spun aluminum. 9-5/8" height and 15-3/4" width. The roof and bottom globe sections are secured in a slip-fit, 1/2" overlap design and use four #10-24 stainless steel pan head screws with four aluminum nuts providing a mechanical lock and enabling easy future replacement of either the roof or bottom globe section if required. Finish is polyester thermoset powdercoat.

#### CAGE:

**B:** Cage for narrow body globes (15" dia.) is constructed of die-cast 360 aluminum alloy. Cage has 4 legs each with square decorative flower block. Solid rectangular band around top of cage. Height of cage is 17" and width of cage is 15". Finish is polyester thermoset powdercoat.

#### FINIALS:

All finials are cast aluminum mounted with 1/4-20 stainless steel threaded studs. Standard finial finish will match fixture finish as specified. Finish is thermoset powdercoat.

**FASTENERS:** Used to secure post fitter to post tenon and globe to globe holder.

1: Hex Head Bolts: Black cadmium stainless steel.

2: Allen Head Bolts: Black cadmium stainless steel.

#### FINISH:

Thermoset polyester powdercoat is electrostatically applied after a five-stage conversion cleaning process and bonded by heat fusion thermosetting. Laboratory tested for superior weatherability and fade resistance in accordance with ASTM B117 specifications. For larger projects where a custom color is required, contact the factory for more information.

#### OPTICAL ASSEMBLY:

##### GLOBE AND OPTICAL ASSEMBLY:

Type III (3) and Type V (5) Cutoff: Narrow body globe is constructed of clear injection-molded vertically ribbed U.V. stabilized acrylic. A two-piece (Globe and Roof) hinged roof design secures with a stainless steel thumb screw and allows easy access for relamping. The bottom section of the globe has a neck opening of 7-3/8" and an outside neck diameter of 8". Globe (less the roof) has a 15-1/2" height and a 14-3/4" width. Precision formed, segmented, specular aluminum internal cutoff reflector with horizontal lamp mounting. Meets IES Type III and Type V cutoff criteria. (NOTE: Type V Cutoff optics available in Medium base (D) socket only.)

#### ELECTRICAL ASSEMBLY:

Twistlock Ballast Assembly with Quick Disconnects for easy maintenance. Ballasts are HPF core and coil. 4kv rated mogul base porcelain socket. Nickel-plated screw shell with center contact. 4kv rated porcelain mini-can base. Nickel-plated screw shell with center contact.

#### BALLAST:

All HID ballasts are core and coil and regulated with power factors better than 90% (HPF). Ballast provides +/- 5% lamp power regulation with +/- 10% input voltage regulation. Ballasts are factory pre-wired and tested. Metal halide ballasts are capable of starting at -20° F or -30° C and HPS at -40°F or -40°C. NOTE: All ballasts are EISA / Title 20 / Title 24 compliant where applicable.

#### CERTIFICATIONS:

ETL Listed to U.S. safety standards for wet locations. cETL listed to Canadian safety standards for wet locations. Manufactured to ISO 9001:2008 Standards.

#### WARRANTY:

Three-year limited warranty.

#### Max. EPA:

1.70 sq. ft.

#### Max. Weight:

45 lbs

#### IESNA Classifications:

Cutoff: Cutoff Optics

