



CHLORIDE

by Signify

Exit/Emergency

Edge-Glo

Edge-lit LED exit sign, wall mount
Chicago Approved



Project: _____

Location: _____

Cat.No: _____

Type: _____

Lamps: _____ Qty: _____

Notes: _____

Ordering guide

Sample #: WGLOLEDRWSA3W*

Family	Battery	LED Color	Letter/Background Colors ^{2,4}	Directional Indicator	Housing Color	Options
WGLO		W	RWS			
WGLO - Edge-Glo Recessed Wall Housing and Panel	LED - AC Only, LED LEDX - Nicad Battery LED	W - White	RWS - Red on White, City of Chicago Approved	Single Face EXIT Panels A3 - No Arrows A6 - Arrow Right A9 - Arrow Left A12 - Arrow Double Single Face STAIRS Panels A2 - No Arrows A5 - Arrow Right A8 - Arrow Left A11 - Arrow Double Single Face ELEVATOR Panel A15 - No Arrows	W - White B - Black	SW Special Wording ³ (Consult factory)

Footnotes

- ¹WGLO recessed housing does not have a painted finish.
- ²RWS is a Chicago approved EXIT panel (red on painted white panel).
- ³Special Wording is available (Refer to Special Wording legend).
- ⁴EXIT Panels available with 6" letters only.

*One catalog number is only required for this exit sign (includes both the Housing and the Panel/Faceplate.)

codes and standards

- Red on white signs with Chicago code arrows are approved by Chicago Fire Department.
- UL 924 Listed (AC only exits)
- ETL Listed to UL 924 Standards
- NFPA 101, NEC, IBC, BOCA, and OSHA illumination standard
- DoE compliant

construction

Recessed Wall housings:

- 20 gauge galvanized steel housing
- Frame out the opening on the wall with the aid of the housing, and secure through the slots into the framing material.

panel/faceplates

- Injection molded clear acrylic panels with chamfered edges.
- Bottom edge is reflectorized to facilitate uniform illumination.
- Panels are pre-installed into a die-formed 18 gauge cold rolled steel frame that attaches to the recessed housing with 2 concealed wing-nuts.
- The LED strip is provided as part of panel assembly with a quick plug connector for electrical connection to housing.
- There are no exposed fasteners on faceplate.
- Standard faceplate finish is white polyester-resin powder coat.
- Optional Black finish.

electronics

- 120/277 VAC dual voltage input.
- Self-powered models include brownout detection, AC lockout, low voltage disconnect, AC power indicator and push-to-test switch.
- Operating temperature range: standard location listed: 77°F (25°C).

power consumption

- AC only red: (120VAC) .049 A, PF = 0.96, (277VAC) .031 A, PF = 0.91.
- Emergency operation: (120VAC) .046 A, PF = 0.95, (277VAC) .020 A, PF = 0.97.



lamps

- Illumination of the exit face is accomplished with long-lasting, high output white LEDs.

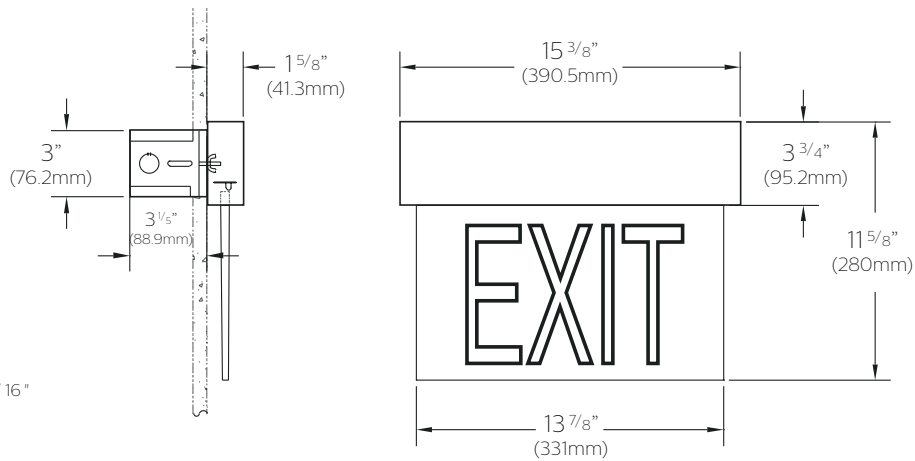
battery

- Maintenance free sealed nickel cadmium battery.
- Provides a minimum of 90 minutes of emergency power.

warranty

- Five full year warranty on electronics and unit.
- Nicad Battery: 3 year full with 7 year pro-rata.

dimensions



WALL OPENING
DIMENSION: 14 5/8" x 3 1/16"

