

Project: _____

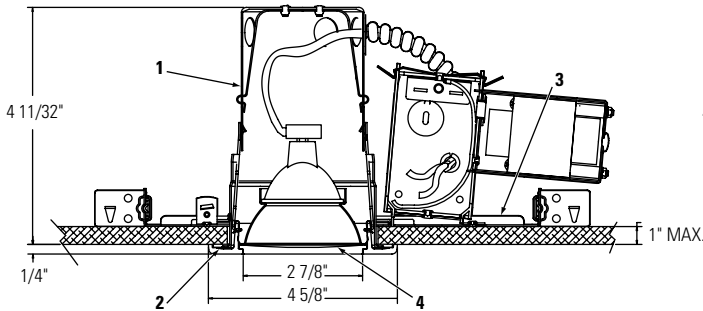
Location: _____

Cat.No: _____

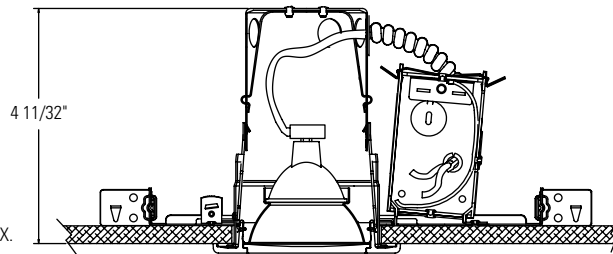
Type: _____

Lamps: _____ Qty: _____

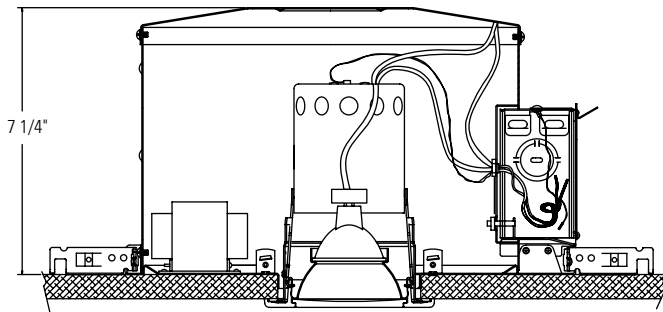
Notes: _____



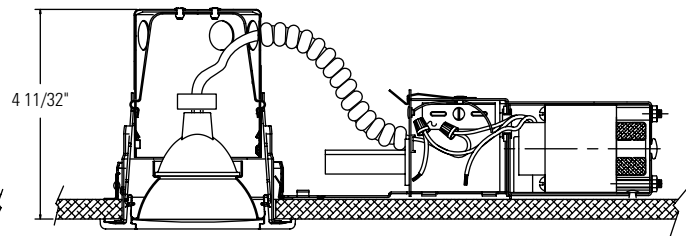
2090LV/2000LV Series
Standard MR16



2090LV/2000LVNT
Low Voltage Remote Transformer



2090LV/2004ICV/N
AirSeal® Insulated Ceiling



2090LV/2000LVR
Remodeler

Complete Fixture consists of Reflector Trim & Frame-In Kit. Select each separately.

Reflector Trim	Frame-In Kit — See Individual Frame-In Kit Specification Sheets			
	Low Voltage			
	Frame-In Kit	Installation Type	Lamping	Height
2090LV	2000LV	Standard Non-IC		4 11/32"
	2000LVR	Remodeler Non-IC		4 11/32"
	2000LVE1	Electronic Low Voltage Non-IC 120V	20W-50W MR16	4 11/32"
	2000LVE2	Electronic Low Voltage Non-IC 277V		4 11/32"
	2004ICV/N	Lytening AirSeal® IC	20W-37W MR16	7 1/4"
	2000LVNT	Non-IC (no transformer)	20W-50W MR16	4 11/32"
	2000AICV	AirSeal® IC	20W-37W MR16	7 5/16"

2090LV Lytecaster Low Voltage 3 3/4"

MR16 Flush Glass Trim

Features

- 1. Housing:** Hydroformed aluminum, .040 thk. min. non-yellowing gloss white powder coat housing finish for permanent reflectivity and surface protection.
- 2. Trim Flange:** Frosted clear polycarbonate flange ring. Pull down and release for toolless relamping.
- 3. Frame-In Kit:** (2000LV standard frame shown) Other frames noted. See Frame-In Kit specification sheets for more details.
- 4. Glass:** Pressed borosilicate glass textured diffuser. Smooth surface on exposed side for wipe down cleaning. Meets NEC® requirements for spas and hot tubs. May be installed less than 7' 6" above max water surface height.

Labels

UL (Suitable for Wet Locations - Covered Ceilings only), I.B.E.W.

