

Day-Brite CFI

by Signify

Recessed

TG8 troffer 2x2

T5, T5HO, T8



Project: _____
 Location: _____
 Cat.No: _____
 Type: _____
 Lamps: _____ Qty: _____
 Notes: _____

Day-Brite / CFI TG8 troffer is a quality low-profile recessed luminaire with specification features. It is designed around modern lamps and electronic ballasts.

Ordering guide

Example: 2TG8217R-01-UNV-1/2-EBHE-LPT835HL

Width	Family	Ceiling Type	Housing	No. of Lamps (not included)	Lamp Type	Revision	Door Frame	Lens	Door Finish	Voltage	Options
2	T		8			R					
2 2'	T TG8 troffer	G Grid F Flange	8 Low profile housing	2 3 4	14 14WT5 (22") 17 17WT8 (24") 24HO 24WT5HO (22") 31U1 31WT8 1-5/8" U (24") (2 or 3 lamp only) 31U6 31WT8 6" U (24") (2 lamp only)	R Revised housing (2x2)	BLANK Flat Steel FA Flat Aluminum RA Regressed Aluminum	01 Pattern 12 prismatic acrylic 12 K12, .125" nominal 19 K19, .156" nominal 21 Pattern 12, .125" nominal 30 1/2"x1/2"x1/2" silver louver, polystyrene 34 1-1/2"x1-1/2"x1" silver louver, polystyrene 52 3/4"x3/4"x1/2" silver louver, polystyrene PL3 ALP Para-lite3 high efficiency 3/4"x3/4"x1/2" silver louver, polystyrene	BLANK White B Black Door	120 277 347 UNV Universal Voltage 120-277V	1/2 One 2-lamp ballast 1/3 One 3-lamp ballast 1/21 2-lamp & 1-lamp ballasts 1/4 One 4-lamp ballast 2/2 Two 2-lamp ballasts EB Electronic ballast, <10% THD, std. ballast factor EB10R T8 electronic ballast, program rapid start, <10% THD EBHE T8 electronic ballast, high efficiency, std. ballast factor EBLHE T8 electronic ballast, high efficiency, low ballast factor EBHHE T8 electronic ballast, high efficiency, high ballast factor EBD Electronic dimming ballast, customer specified EBSD T8 electronic step dimming ballast, 88 ballast factor EBD7 Advance Mark 7 dimming ballast, 0-10V (low voltage) control EBDX Advance Mark 10 dimming ballast, phase control E1 B100 emerg. ballast, T8, 350-450 lumens, 120/277V E1CAN B100-CAN emerg. ballast, Canada market, T8, 350-450 lumens, 120/347V E7 B60 emerg. ballast, T8, 600-700 lumens, 120/277V E5 B50 emerg. ballast, U.S. or Canada market, T8, 1100-1400 lumens, UNV E5CAN B50-CAN emerg. ballast, Canada market, T8, 1100-1400 lumens, 120/347V E5ST B50ST emerg. ballast w/self test, T8, 1100-1400 lumens, UNV E7LP LP550 emerg. ballast T5/T5HO, 430-700 lumens, 120/277V E6LP LP600 emerg. ballast U.S. or Canada market, T5/T5HO, 750-1325 lumens, 120/277V F1 3/8" flex 3 wire, 18 gauge 6' F2 3/8" flex 4 wire, 18 gauge 6' F2/5W 3/8" single flex, 5 wire 18 gauge 6' for dimmable luminaires GLR Fusing, fast blow

Accessories

- FMA22 2'x2' "F" mounting frame for NEMA "F" mounting
- FKTG822 Flange conversion kit, 2x2 TG8



2TG8 TG8 troffer 2x2

T5, T5HO, T8

Construction/finish

- A quality low-profile troffer with specification features for NEMA "G" grid, NEMA "NFG" narrow face grid, NEMA "GR" grid regressed, NEMA "NFSG" narrow faced slot grid, or NEMA "F" flange ceiling types.
- 3" nominal housing depth.
- Smooth rolled edges on all four sides for easy handling.
- Die-formed one piece housing includes stiffening embosses and provides increased rigidity.
- Housing is multi-stage phosphate treated for maximum corrosion resistance and finish coat is high reflectance baked white enamel.
- Lamp pin openings in housing ends for easier relamping when using straight lamps (can be relamped without using openings).
- Integral baffling system to prevent light leaks.
- Integral wire hanger holes for independent wire suspension.
- Embosses with holes provided in housing end for screwing to T-bar if desired.
- Factory installed access plate in housing top includes 7/8" hole with rolled edge and 7/8" K.O.
- Some models utilizing multiple ballasts will be supplied with a top mounted ballast box, which will increase the height of the luminaire.
- T-bar grid clips built into luminaire, no extra parts required. Designed for use with standard grid ceiling members, 1-1/2" maximum height.
- Carton includes integral carrying handle for easy handling and tear tape for easy opening.

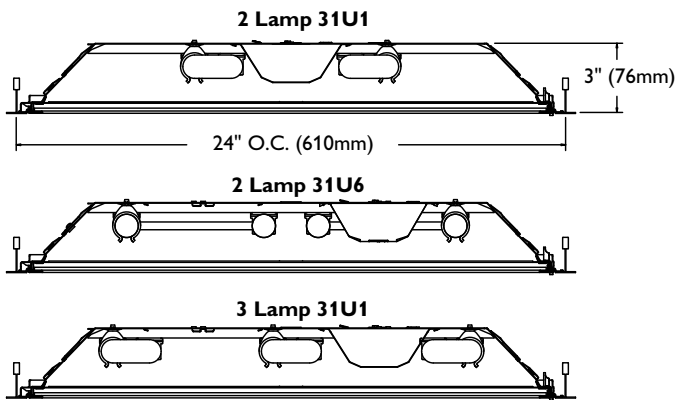
Electrical

- cULus listed for damp locations.
- Self-contained fluorescent emergency power packs can be incorporated, listed for dry locations.

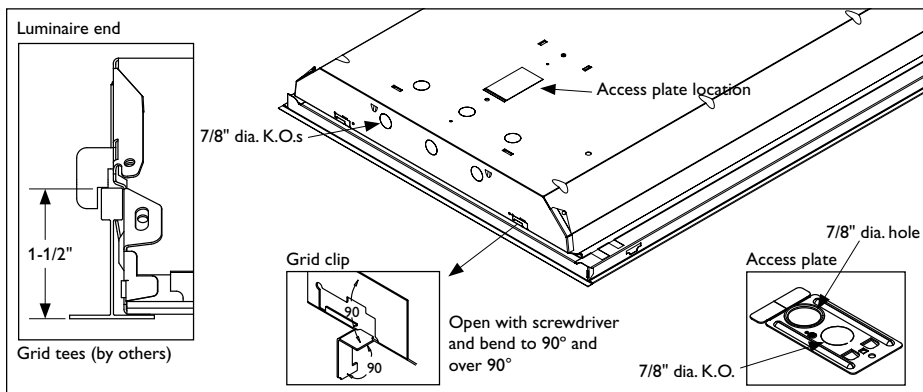
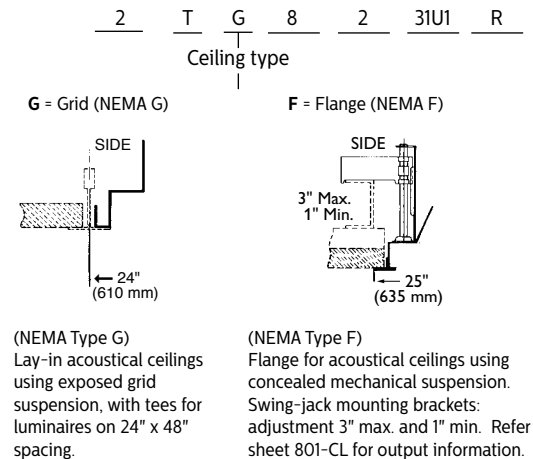
Enclosure

- Full "C" channel door frames for improved lens support and reduced shipping damage.
- Flat steel door frame features smooth rolled edges inside and outside.
- Door frame uses T-hinges and can be hinged and latched from either side.
- Opposable stainless steel spring loaded latches are standard for easy operation and consistent retention.
- Door frame has true mitered corners.

Dimensions



Ceiling Configuration



2TG8 TG8 troffer 2x2

T5, T5HO, T8

Photometry

TG8 troffer 2x2 2 Lamp 31U6

Efficiency – 74.7%

LER – 67

TER – 60

Catalog No.	2TG8231U6R-01-1/2-EB	Candlepower				Light Distribution				Average Luminance			
		Angle	End	45	Cross	Degrees	Lumens	% Lamp	% Luminaire	Angle	End	45'	Cross
Test No.	27135	0	1655	1655	1655	0-30	1309	23.4	31.3	45	4421	4791	5320
S/MH	1.3	5	1649	1648	1654	0-40	2143	38.3	51.2	55	3553	3719	4222
Lamp Type	FB31U6	10	1626	1632	1645	0-60	3543	63.3	84.7	65	2683	2512	3093
Lumens/Lamp	2800	15	1586	1607	1629	0-90	4182	74.7	100.0	75	2633	2190	2583
Ballast Factor	.88	20	1532	1566	1604					85	2857	2895	2707
Input Watts	55	25	1456	1515	1568								
		30	1358	1443	1515								
		35	1237	1343	1425								
		40	1099	1215	1309								
		45	954	1034	1148								
		50	787	836	942								
		55	622	651	739								
		60	477	475	558								
		65	346	324	399								
		70	267	216	279								
		75	208	173	204								
		80	149	141	145								
		85	76	77	72								

Comparative yearly lighting energy cost per 1000 lumens – **\$3.58** based on 3000 hrs. and 5.08 pwr KWH.

The photometric results were obtained in the Day-Brite laboratory which is NVLAP accredited by the National Institute of Standards and Technology.

TG8 troffer 2x2 3 Lamp 31U1

Efficiency – 73.4%

LER – 70

TER – 62

Catalog No.	2TG8331U1R-01-1/3-EB	Candlepower				Light Distribution				Average Luminance			
		Angle	End	45	Cross	Degrees	Lumens	% Lamp	% Luminaire	Angle	End	45'	Cross
Test No.	27150	0	2464	2464	2464	0-30	1933	23.0	31.4	45	6580	7108	7701
S/MH	1.3	5	2447	2457	2459	0-40	3153	37.5	51.2	55	5221	5792	6215
Lamp Type	FB31U1	10	2414	2432	2441	0-60	5225	62.2	84.8	65	3861	3822	4520
Lumens/Lamp	2800	15	2359	2386	2409	0-90	6163	73.4	100.0	75	3874	2975	3519
Ballast Factor	.88	20	2272	2318	2364					85	4511	3910	3985
Input Watts	78	25	2158	2234	2289								
		30	2012	2115	2196								
		35	1840	1963	2059								
		40	1645	1767	1894								
		45	1420	1534	1662								
		50	1169	1271	1375								
		55	914	1014	1088								
		60	678	736	823								
		65	498	493	583								
		70	383	328	401								
		75	306	235	278								
		80	230	184	200								
		85	120	104	106								

Comparative yearly lighting energy cost per 1000 lumens – **\$3.43** based on 3000 hrs. and 5.08 pwr KWH.

The photometric results were obtained in the Day-Brite laboratory which is NVLAP accredited by the National Institute of Standards and Technology.



Some luminaires use fluorescent or high intensity discharge (HID) lamps that contain small amounts of mercury. Such lamps are labeled, "Contain Mercury" and/or the symbol "HG". Lamps that contain mercury must be disposed of in accordance with local requirements. Information regarding lamp recycling and disposal can be found at www.lamprecycle.org

