

Read and understand these instructions before installing luminaire (fixture).

This luminaire is intended for installation in accordance with the National Electrical Code and local regulations. To assure full compliance with local codes and regulations, check with your local electrical inspector before installation. To prevent electrical shock, turn off electricity at fuse box before proceeding. Allow fixture to cool before handling.

Retain these instructions for maintenance reference.

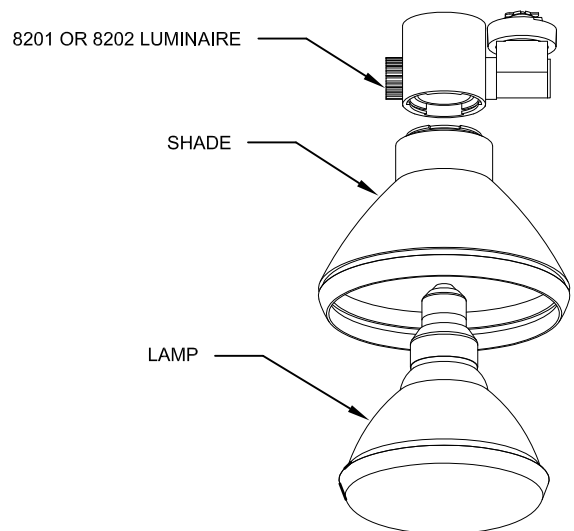
INSTRUCTIONS FOR INSTALLING AND OPERATING SHADES TO PAR-TECH ADAPTERS.
FOR USE WITH LIGHTOLIER LYTESPAN® TRACK SYSTEMS ONLY.

INSTRUCTIONS FOR ATTACHING SHADE TO 8201 OR 8202 PAR-TECH LUMINAIRE.

1. Turn off power to TRACK.
2. Insert SHADE into 8201 or 8202 and turn SHADE clockwise to lock in place.
3. To remove SHADE rotate counterclockwise.

INSTRUCTIONS FOR INSTALLING LAMP INTO LUMINAIRE WITH SHADE ATTACHED.

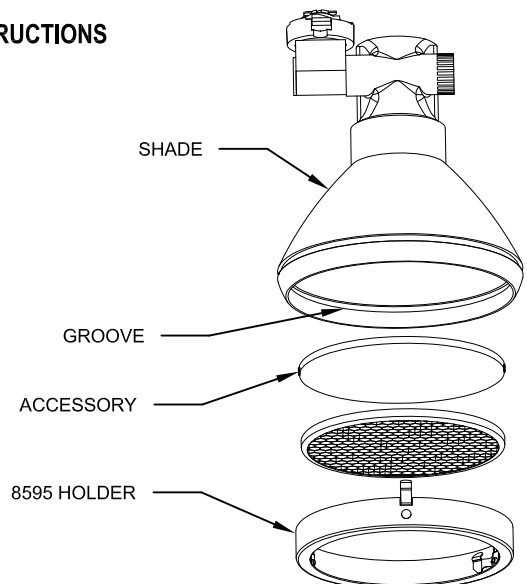
1. Turn off power to TRACK.
2. Insert LAMP into SHADE and luminaire and screw in clockwise until tight.
3. To remove LAMP rotate counterclockwise.



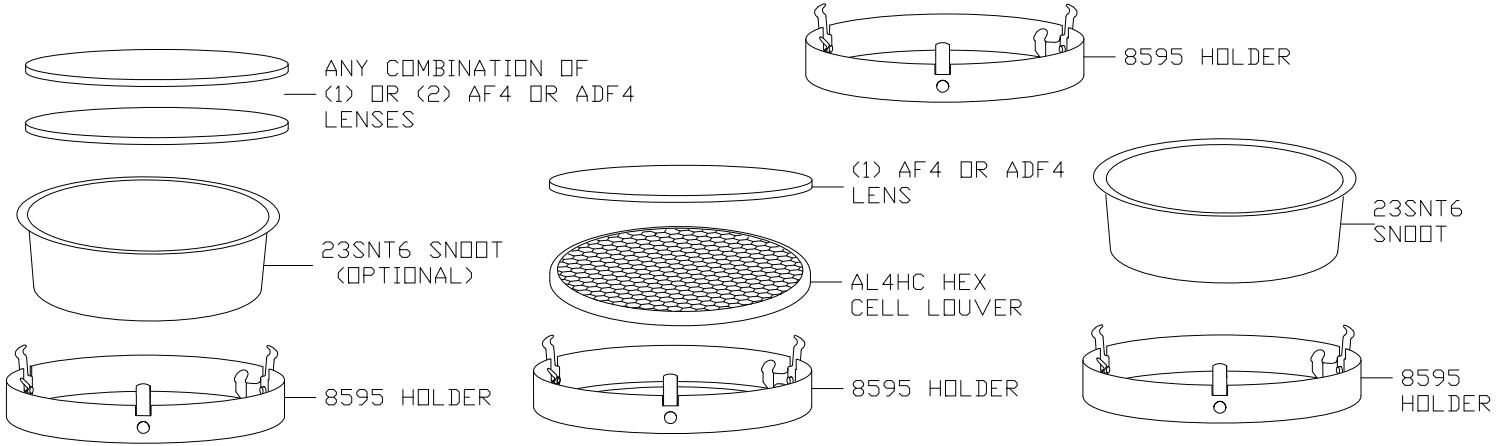
INSTRUCTIONS FOR INSTALLING ACCESSORIES INTO 8595 HOLDER. INSTRUCTIONS FOR INSTALLING HOLDER INTO PAR-TECH SHADES.

LAMP MUST NOT EXCEED 150W MAX. WHEN USING ACCESSORIES.

1. Assemble SHADE and LAMP into luminaire as instructed above.
2. Snap desired accessories into holder (2) max. AF4,AL4 series.
3. Push HOLDER into SHADE until holder springs snap into groove on inside of SHADE.
4. To remove HOLDER pull out from SHADE.



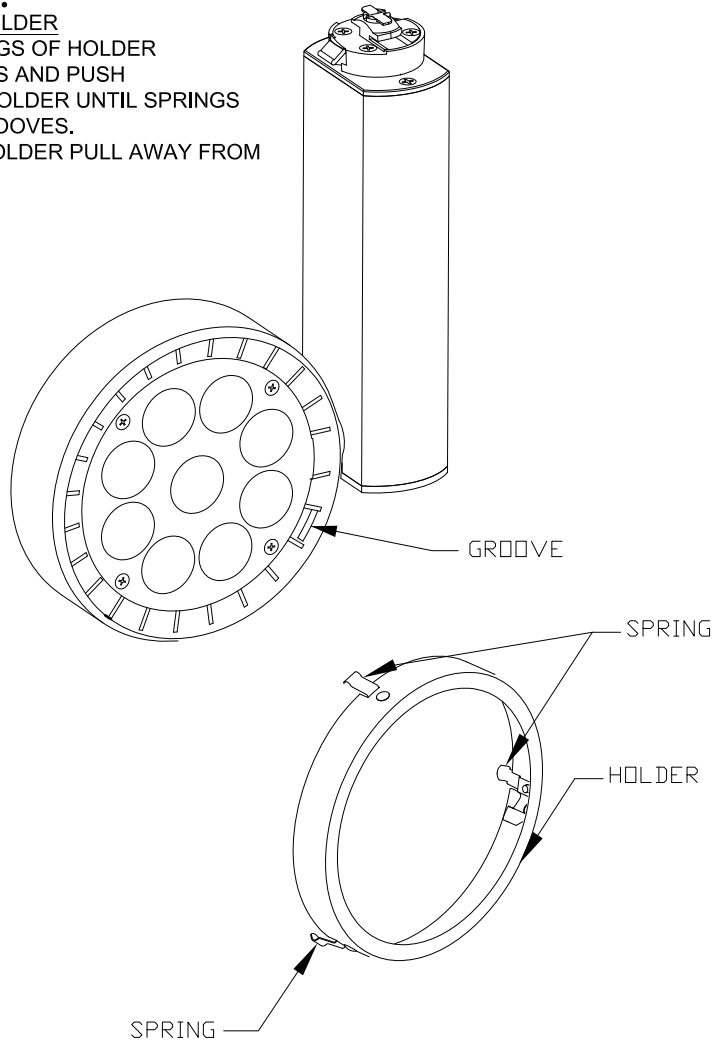
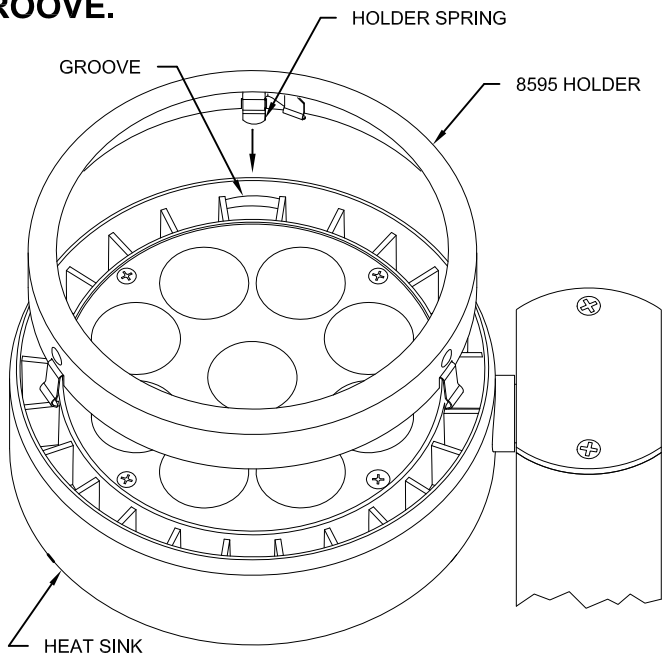
ACCESSORY HOLDER 8595 COMPATIBILITY USE WITH LUMINAIRE SERIES LLAB0 ONLY.



CAUTION:
INSTALLING HOLDER
 LINE-UP SPRINGS OF HOLDER WITH GROOVES AND PUSH ACCESSORY HOLDER UNTIL SPRINGS SNAP INTO GROOVES.
 TO REMOVE HOLDER PULL AWAY FROM HEAT SINK.

FOR LUMINAIRES WITH PRODUCT NO. STARTING WITH LLAB0

WARNING: HOLDER SPRINGS MUST BE ASSEMBLED INTO 3 GROOVES IN HEAT SINK AND SNAP IN SECURELY. DO NOT INSTALL IN SLOTS OF HEAT SINK WITHOUT GROOVE.



631 Airport Road, Fall River, MA 02720 • (508) 679-8131 • Fax (508) 674-4710
 We reserve the right to change details of design, materials and finish.
 www.lightolier.com © 2011 Philips Group • Rev A, 2911