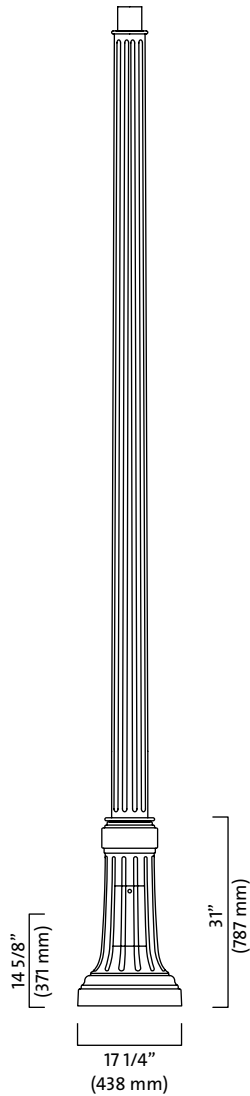
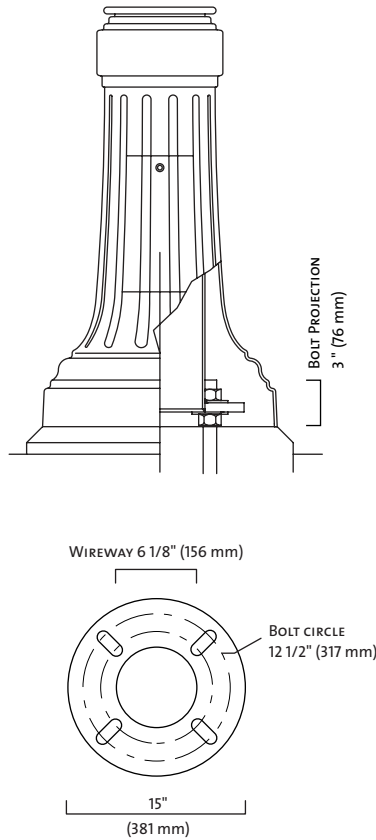


ALUMINUM FLUTED POLE > RTA906 / RTA907



Base details



Comes with 4 anchor bolts,
8 nuts and 8 washers.
B.C. from: 10" to 13" (254 to 330 mm)

Specifications:

Pole: made from a 12 flute, mandrel-formed, aluminum tapered shaft 6 & 7" round (152 & 178 mm) welded to a 6 5/8" round (168 mm) extruded aluminum pole base which is welded top and bottom to a cast-aluminum anchor plate. After tapering, forming and welding, the entire shaft assembly is heat-treated to T6 temper.

A 4 1/2" by 10" (114 by 254 mm) maintenance opening is complete with cover and copper ground lug.

Base cover: decorative base cover made from two cast-aluminum pieces fastened together with stainless steel hardware around the base of the pole. Base cover is complete with a door to access the maintenance opening.

Finish: See page 142 for Finish details.

Options:

- LS:** Provision for loudspeaker outlet (see page 132)
- PH7:** Button-type photoelectric cell (specify operating voltage)
- DR:** Duplex receptacle (120V line voltage only)
- GFI:** DR with common ground fault interrupter (120V line voltage only)
- BA:** Banner arm (see page 136)
- PS:** Plant support (see page 137)
- MPL:** Mid-pole luminaire

Note: The recommended method for calculating EPA (Effective Projected Area) is in accordance with AASHTO 2001 standards: for three seconds, the pole is tested in wind gusts equivalent to the strongest winds on record over the past 50 years, and with a 50 pound load (22.7 kg) placed at 1 foot (305 mm) above its center.

CATALOG NUMBER	NOMINAL HEIGHT		TENON SECTION		WALL THICKNESS		WEIGHT		EPA RATING				ANCHOR BOLTS	
	ft	m	in	mm	in	mm	lbs	kg	90 MPH	110 MPH	120 MPH	150 MPH	in	mm
RTA906F-10	10	3.05	4	102	0.125	3.2	74	34	27.23	18.23	15.26	9.56	3/4 x 27	19-686
RTA906V-10	10	3.05	4	102	0.250	6.4	92	42	30	30	30	19.26	3/4 x 27	19-686
RTA906F-12	12	3.66	4	102	0.125	3.2	79	36	21.41	14.18	11.8	7.23	3/4 x 27	19-686
RTA906V-12	12	3.66	4	102	0.250	6.4	100	45	30	30	25.24	15.69	3/4 x 27	19-686
RTA906F-14	14	4.27	4	102	0.125	3.2	83	38	17.21	11.24	9.27	5.51	3/4 x 27	19-686
RTA906V-14	14	4.27	4	102	0.250	6.4	108	49	30	24.56	20.55	12.84	3/4 x 27	19-686
RTA906F-16	16	4.88	4	102	0.125	3.2	86	39	14.11	9.01	7.37	4.2	3/4 x 27	19-686
RTA906V-16	16	4.88	4	102	0.250	6.4	114	52	30	20.49	17.09	10.53	3/4 x 27	19-686
RTA907B-18	18	5.49	4	102	0.156	4.0	117	53	21.25	13.78	11.33	6.64	3/4 x 27	19-686
RTA907N-18	18	5.49	4	102	0.188	4.8	124	56	27.17	17.83	14.75	8.66	3/4 x 27	19-686
RTA907B-20	20	6.1	4	102	0.156	4.0	124	56	17.66	11.24	9.13	5.14	3/4 x 27	19-686
RTA907N-20	20	6.1	4	102	0.188	4.8	131	59	22.78	14.75	12.11	6.99	3/4 x 27	19-686

Note: Lumec reserves the right to modify the above details to reflect changes in the cost of materials and/or production and/or design without prior notice.