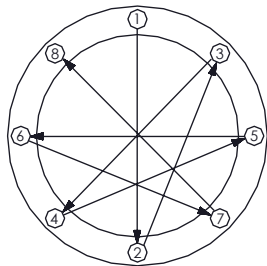


Safety, Warnings and Suggestions

- ¹ **Care** should be taken not to position fixtures in locations where bare skin can come into contact with the potentially high temperatures on the lens.
- ² **Avoid** installing fixtures in locations where water collects and stands for long periods.
- ³ **Make** sure that electrical power is disconnected before any work is performed.
- ⁴ **All** wiring and installation should meet local, state and national electrical codes. This will help prevent wire connector corrosion due to water penetration from conduit.
- ⁵ **Install** correct lamp type and wattage per lamp label.
- ⁶ **All** gaskets and sealing surfaces must be kept clean during installation.
- ⁷ **Check** that the inside of the housing is free of debris of any kind. This can obstruct the flow of air and increase the temperature of the lens surface.
- ⁸ **Check** that the gap between the lens ring and the casting is clear of any obstruction. Clean if required. Debris can obstruct the flow of air and increase the temperature on the lens surface.
- ⁹ **As** a rule of thumb, the higher the fixture is mounted above grade potential problems such as foliage over growth or water, mud etc. collecting on lens are reduced.
- ¹⁰ **If** condensation, built up during installation, is visible on the lens it is recommended that the fixture be turned on before the lens ring is replaced on the fixture for approximately 30 minutes. This should allow the condensation to be exhausted.



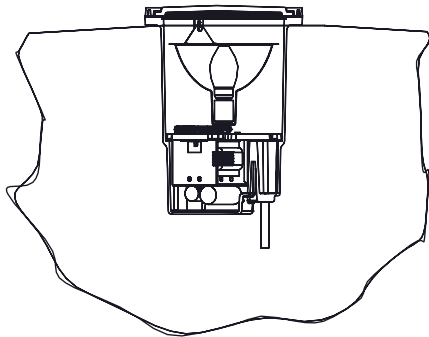
Use several rotations of the following sequence to tighten the lens ring socket head cap screws to **50 in/lbs.**

Mount fixture as high above grade as possible to prevent debris and water standing on fixture surface.

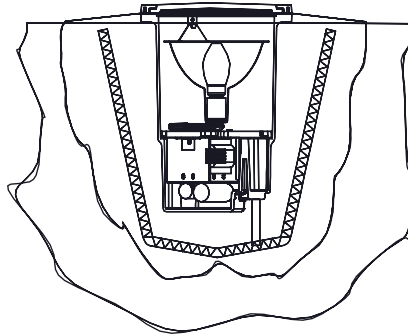
Create an isolation barrier around the fixture to prevent rocks and foilage from interfering with light output.

Add drainage media below and around fixture to prevent standing water.

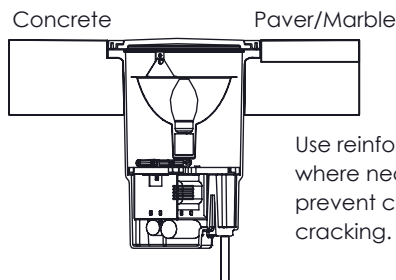
1. Prepare the site with adequate excavation to install fixtures. 1
Drainage media below fixture will enhance installation. 2,3
2. Remove lens ring and lens with gasket, 4 reflector assembly and "D" shaped splice box cover plate and gasket.
3. Connect conduit to the 3/4" NPT openings in the splice compartment at the bottom of the fixture, using the appropriate thread sealing compound. **Tighten to 15 ft-lbs. max.**
4. Position fixture so it is flush or just above the installation area grade 5 and orient the fixture with regard to architectural requirements to obtain the appropriate accent.
5. Make power and ground connections using provided waterproof wire nuts. It is recommended that RTV silicone or other re-enterable water sealing compound be used to seal the conduit entry points. 7
6. Reinstall "D" shaped splice box cover plate and gasket ensuring that all (4) screws are securely tightened. 4
Reinstall reflector assembly, install lamp 8 and make aiming adjustments.
7. Install lens ring and lens with gasket 4
IMPORTANT! A CRISS CROSS PATTERN IS REQUIRED TO ENSURE THAT A GOOD COMPRESSION SEAL IS MADE.
If this is not accomplished, the fixture could leak and be damaged.
Tighten socket head cap screws gradually using multiple tightening steps to 50 in/lbs.



SL-43 In Soil

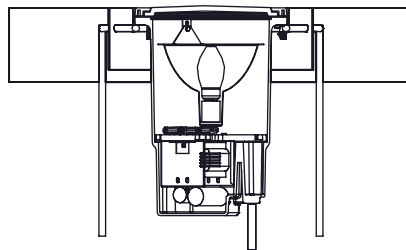


SL-43 In Soil with Concrete Base and Trim Ring



SL-43 In Concrete with Trim Ring

Use reinforcement where necessary to prevent concrete cracking.



SL-43 In Concrete with Grout Mask and Trim Ring

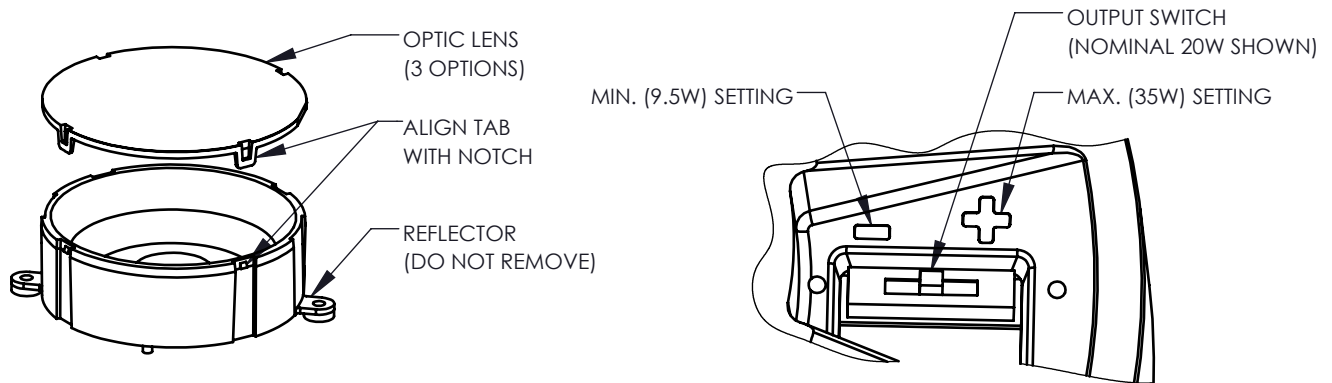
INSTALLATION INSTRUCTIONS: SL-43 (LED VERSION ONLY)

!! FOLLOW ALL SAFETY PRECAUTIONS AND SITE PREPERATIONS PER PAGE 1 OF THESE INSTALLATION INSTRUCTIONS. !!

1. Remove lens ring and lens with gasket.
 2. Remove foam packing around heatsink used for shipping and discard appropriately.
 3. Remove heatsink/ring assembly and "D" shaped splice box cover plate.
 4. Connect conduit to the 3/4" NPT openings in the splice compartment at the bottom of the fixture using the appropriate thread sealing compound. **Tighten to 15 ft-lbs. max.**
 5. Connect white (neutral) supply wire to white fixture wire, black (hot) supply wire to black fixture wire, and green (ground) supply wire to green fixture wire using provided waterproof wire nuts. It is recommended that RTV Silicone or other re-enterable water sealing compound be used to seal the conduit entry points.
 - *Control wires (gray and purple) are crimped to prevent cross wiring. If using a dimming device, cut ends, strip and connect.
 - See approved dimmer list per Xitanium driver X1036C100V048DNM1 datatsheet.
 - Consider limitation/impact of long wire runs when installing 0-10V dimming systems.
 - *Input voltage (VAC): 120-277v auto sensing, 50 or 60Hz
 - *Fixture load: 34W max.
 6. Reinstall "D" shaped splice box cover plate ensuring that all four (4) screws are securely tightened.
 7. Fixture is pre-installed with "Medium Flood" optic lens from factory. To replace with "Narrow Flood" or "Wide Flood" optics, pop optic lens off reflector by using fingernails or screw driver at the (4) tabs.
 - Narrow flood lens (20 deg)** - supplied in bag, marked along edge of lens with "P".
 - Medium flood lens (36 deg)** - pre-installed, marked along edge of lens with "I".
 - Wide flood lens (65 deg)** - supplied in bag, marked along edge of lens with "S".
- Align new optic lens with tabs and push onto reflector until all four locations snap into place.
8. Adjust lumen output switch by sliding the switch to the desired setting. There are (5) different settings ranging from 9.5W to 34W. See chart below for approximate lumen values. Heatsink has a "+" and "-" symbol to illustrate wattage level.
 9. Reinstall heatsink/ring assembly. Angle heatsink in orientation desired (typically vertically straight).
 10. Reinstall lens ring and lens with gasket. Tighten socket head cap screws gradually using multiple tighening steps **to 50in/lbs.** (see pictorial of pattern on page 1).

IMPORTANT! A CRISS CROSS PATTERN IS REQUIRED TO ENSURE THAT A GOOD COMPRESSION SEAL IS MADE.

If this is not accomplished, the fixture could leak and be damaged.



REPLACEMENT OPTIONS:

1. Driver - includes driver and mounting screws.
2. Optic lens kit - includes [3] optic lenses (reflector not included)
3. Switch kit - includes switch and mounting screws.

* Factory pre-set at this level.

DRIVER REPLACEMENT INSTRUCTIONS:

1. Remove lens ring and lens with gasket.
2. Remove heatsink/ring assembly and driver box cover plate.
3. Remove driver screws and detach driver.
 - See wiring diagram for Xitanium driver X1036C100V048DNM1.
 - *Reconnect wires to surge protector (SP1) if applicable.
5. Reattach driver to cover.
6. Reassemble remaining items per installation instructions above (see item numbers 8-10).

Lumen Output Table (Clear Glass Lens Option)			
Beam/Switch output	9.5W (min)	* 20W (nom)	34W (max)
Medium Flood (3000K)	1030	2055	3075
Medium Flood (4000K)	1095	2185	3269