

LED Lighting Fixture

SAVE THESE INSTRUCTIONS



BEFORE YOU BEGIN

Read and follow all safety instructions



WARNING

RISK OF FIRE, EXPLOSION AND ELECTRIC SHOCK

- This product should be installed, inspected, and maintained by a qualified electrician only, in accordance with the NEC (National Electric Code) and all local codes.
- Turn off electrical power before inspection, installation or removal.
- Use only UL (or other NRTL) approved wire for input/output connections.
Minimum size 18 AWG or 14 AWG for continuous runs.
- Make sure LEDs and drivers are cool to touch when performing maintenance.
Make sure the supply voltage is the same as the rated voltage of the luminaire.
- Do not install in a hazardous atmosphere, except where the ambient temperature does not exceed the rated operating temperature of the fixture.
- Keep tightly closed when in operation.



Prepare Electrical Wiring



Electrical Requirements

- The LED driver must be supplied with 120 to 277V or 347V, 50/60Hz and connected to an individual, properly grounded branch circuit protected by a 20 Ampere circuit breaker. Use min. 75°C supply.



Grounding Instructions

- The grounding and bonding of the overall system shall be done in accordance with NEC Article 600 and local codes.

LED Garage & Canopy Light General Purpose LED Fixture

Tools Required:

Phillips Screw Drivers, Bit Holder

Wire Strippers

Wire Cutters

Teflon Tap

Silicone Gel

- Before starting, ensure that the power is disconnected.
- Unpack fixture and ensure that there are no damaged parts.

If mounting on surface (Fig. 1):

- The included quick mount plate is used for attaching to a surface mount or recessed junction box (supplied by others).
- Remove the quick mount plate from top of fixture by loosening one side screw (captive) and sliding the plate out from the holding brackets.
- Install the quick mount plate to the junction box with 2 screws (not provided).
- Hang the fixture on the quick mount plate tab using the metal loop on the fixture.
- Connect the power leads with the included wire nuts as seen below. (Fig. 3) Black to Black (Hot), White to White (Neutral), Green to Green (Ground). Push the connection splices into the junction box and secure the fixture onto the quick mount plate by tightening the one side screw.

If mounting on pendant stem (Fig. 2):

- Remove included mounting bracket (1 screw). Dispose of as necessary.
- Remove diffusing lens (4 captive screws) using bit included with fixture.
- Remove reflector shield (6 screws). **Keep screws secured for reuse.**
- Remove wire plug from top of fixture and pull wiring through plug.
- Push/pull fixture wires back into fixture.
- Feed incoming power leads through pendant stem (supplied by others).
- Connect the power leads inside the fixture with the included wire nuts as seen below. (Fig. 3) Black to Black (Hot), White to White (Neutral), and Green to Green (Ground).
- Reassemble reflector shield and diffusing lens appropriately.
- **Torque lens fasteners to 9 inch-lbs.**
- Thread pendant pipe to top of housing. (Fig. 2)
Be sure to wrap Teflon tape or silicone gel to thread of pipe to prevent moisture from entering.

WARNINGS: DO NOT TOUCH LEDs!

This can damage the LEDs which will void the warranty.

If removing lens per Fig. 2 above, tighten screws per instructions above.
Failure to do so impacts IP seal which will void the warranty.



Figure 1

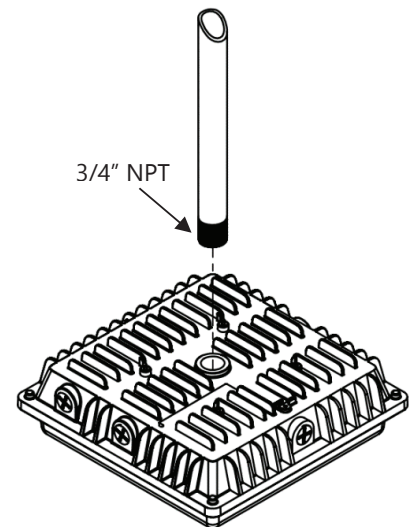


Figure 2



Figure 3