

HADCO

by  Signify

Landscape

FlexScape

IL9 LED Inground



Breaking new ground with optimal versatility

Hadco FlexScape LED inground luminaire IL9 opens new horizons for low-voltage landscape lighting. It is designed for optimal LED performance and superior flexibility.

The luminaire creates visual interest for pathways, walls, columns and foliage. Its rugged housing installs directly into the soil. In addition to low-energy outdoor lighting, it features convenient on-site beam adjustability. This all-weather luminaire comes with 100% molded silicone gaskets.

Benefits

- Clean lines for a timeless, modern look
- Rugged construction and quality finish
- Ready-to-ship, in-stock products
- Ease of installation
- Flexibility to change light intensity in the field
- Countless lighting outcomes in a single luminaire save time and money
- Innovative zoomable LED Optics allow different beam patterns

IL9 FlexScape

LED Inground



Features

- CCT: 3000K and 4000K
- CRI: 70
- Wattage: 12W (max)
- Voltage: 12V typical (10.5V-15V)
- 50,000 hour rated life (L70)
- 5-year warranty*

* Based on standard 5-year warranty. See signify.com/en-us/support/warranties for complete Hadco FlexScape LED warranty information.

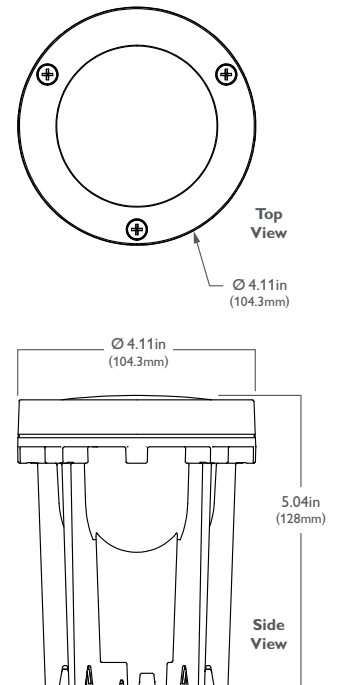
Hadco FlexScape LED inground luminaire IL9

Competitively priced outdoor lighting offers performance and versatility, delivering the value professionals have come to expect from a leader like Hadco.

Ordering guide

example: IL9DC-A

Series	Lamping	CCT	Finish
IL9	D	-	A
IL9 Inground luminaire	D LED	W Warm (3,000K) C Cool (4,000K)	A Black



The information presented in this document is not intended as any commercial offer and does not form part of any quotation or contract.



© 2019 Signify Holding. All rights reserved. This document contains information relating to the product portfolio of Signify which information may be subject to change. No representation or warranty as to the accuracy or completeness of the information included herein is given and any liability for any action in reliance thereon is disclaimed. All trademarks are owned by Signify Holding or their respective owners.

Signify North America Corporation
200 Franklin Square Drive,
Somerset, NJ 08873
Telephone 855-486-2216

Signify Canada Ltd.
281 Hillmount Road,
Markham, ON, Canada L6C 2S3
Telephone 800-668-9008