

This fixture is intended for installation in accordance with the National Code and local regulations. To assure full compliance with local codes and regulations, check with your local electrical inspector before installation. To prevent electrical shock, turn off electricity at fuse box before proceeding.

SH23430

Retain these instructions for maintenance reference.

INSTALLATION INSTRUCTIONS FOR SV5 LENS ACCESSORY

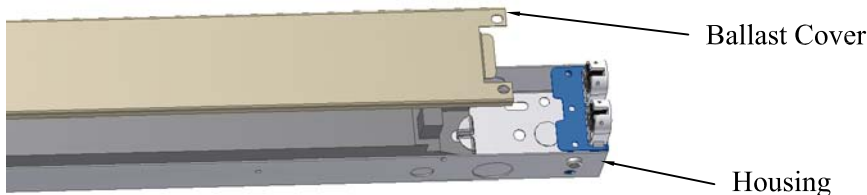


FIGURE 1

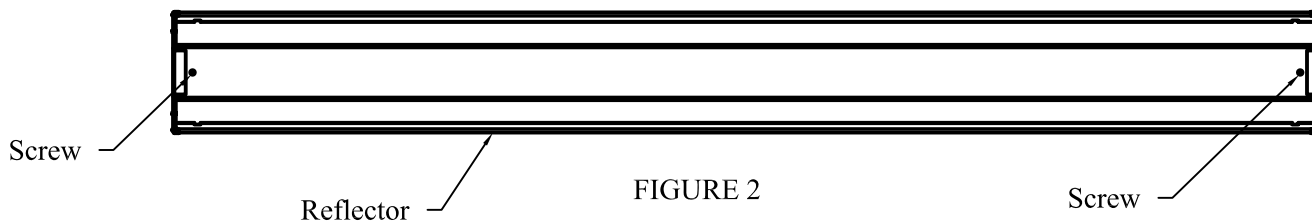


FIGURE 2

1. Remove Ballast Cover (**Figure 1**) and discard.
2. Attach Reflector to Housing and secure with 2 screws (see kit bag) (**Figure 2**).

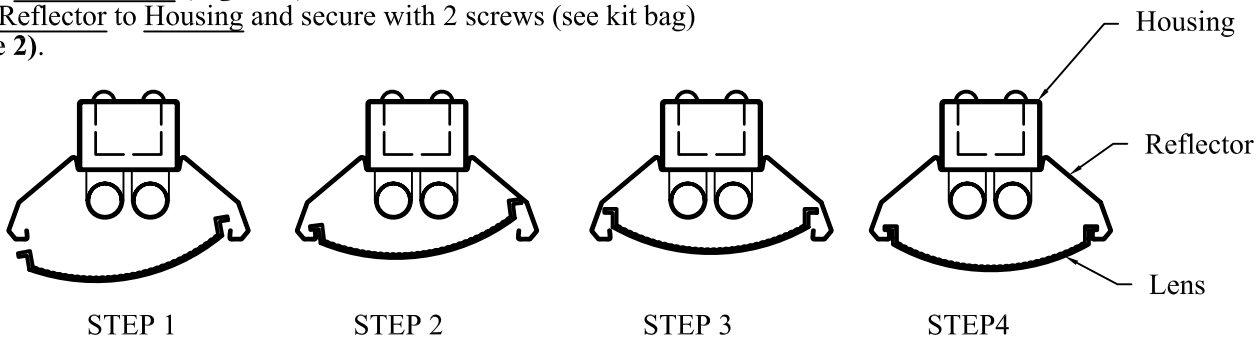


FIGURE 3

3. Insert Lens in Reflector (**Figure 3**). Follow steps 1 through 4 .
4. To remove Lens insert a flat head screw driver in Slots and twist screw driver to release the Lens (**Figure 4**)

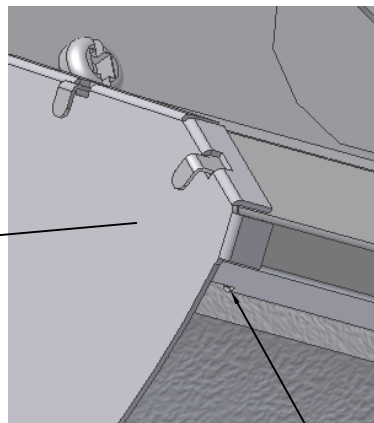
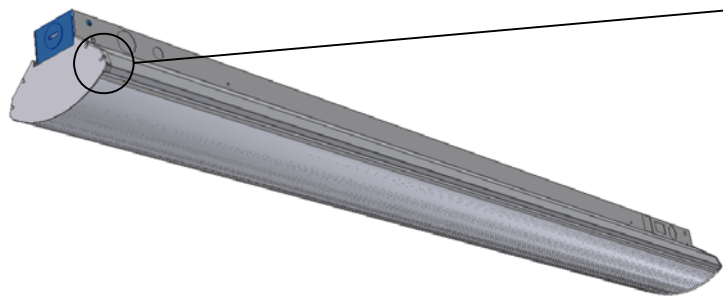


FIGURE 4



FINAL ASSEMBLY