

Day-Brite



by Signify

Recessed

FluxPanel LED gen 2

2x2 at up to 5400 lumens



Day-Brite/CFI FluxPanel LED gen 2 recessed is a highly versatile luminaire designed to provide smooth lighting gradient on the lens surface and ease of installation. Available for use in recessed, suspended, and surface mount orientation, FluxPanel is ideal for general lighting applications such as open office, schools, healthcare, clean rooms, and retail.

Project: _____
 Location: _____
 Cat.No: _____
 Type: _____
 Qty: _____
 Notes: _____

Ordering guide

Standard configurations available with all choices, unless otherwise noted. Base configurations selections indicated by blue.

Example: 2FPZ38L840-2-DS-UNV-DIM-BSL6LST

Family	Lumens (nominal delivered)	Color (CRI / CCT)	Length	Diffuser	Voltage	Driver	Options ²
2FPZ			2				
2FPZ 2ft FluxPanel gen 2	Base config⁴ 38B 3800lm	835 80 CRI, 3500K 840 80 CRI, 4000K	2 2ft	DS Diffuse (smooth)	UNV Universal Voltage, 120-277V	DIM ¹ 0-10V dimming	F1 3/8" flex, 18 gauge 6'; 3 leads include hot, neutral, ground
	Standard configs 20L 2000lm 30L 3000lm 38L 3800lm 45L 4500lm 54L 5400lm	850 80 CRI, 5000K		ADS Acrylic Diffuse (smooth)	120 ³ 120V 277 277V 347 347V	SDIM ⁶ Step dimming to 30% input power XDIM ^{3,6} MarkX phase dimming	F2 3/8" flex, 18 gauge 6'; 4 leads include 2 hots, neutral, ground F1/D ⁸ 3/8" twin flex, 18 gauge 6' for dimmable luminaires; Flex 1: 3 leads include hot, neutral, ground Flex 2: 2 leads, Dim +/Dim - F2/5W ⁸ 3/8" single flex, 18ga. 6' for dimmable luminaires; 5 leads include hot, neutral, ground, Dim + / Dim - F2/6W ⁸ 3/8" single flex, 18ga. 6' for dimmable & EM luminaires; 6 leads include 2 hot, neutral, ground, Dim + / Dim -
	Other lumen packages may be ordered in increments of 100 lumens from 2000lm to 5400lm						GLR Fusing, fast blow DSC Quick driver disconnect CHIC Chicago Plenum rated BAC ¹³ Meets the requirements of the Buy American Act of 1933 (BAA) ER100 ^{4,5,11,12} UL924 listed sensor bypass relay, factory installed between driver & sensor BSL10LST ^{5,9,15} Bodine 10W battery pack BSL6LST ^{5,9,15} Bodine 6W battery pack SWZCSR ^{1,4,7,9,10} Remote Interact wireless sensor, with integral daylight & occupancy sensing, advanced grouping with dwell time SWZCS ^{1,4,9,10,15} Interact wireless sensor with integral daylight & occupancy sensing, advanced grouping with dwell time RADIO ^{1,4,5,7,9} Interact RF sensor for wireless connectivity only, no sensing

- Integral control options dimmable to 1% via wireless wall switch. Non-controls options are 0-10V dimmable to 1% for Standard configurations and 5% for Base configurations.
- All options only available with Standard configurations.
- XDIM is 120V only.
- Specify DIM driver option only.
- Not available with 347V option.
- XDIM max lumen output 50L: <45L requires ELV dimmer; >45L requires Triac dimmer.
- Not available with surface or suspended accessories.
- Flex with dimming not available with Interact sensors.
- Emergency and Interact options not clean room certified, nor NSF listed.
- Must order IRT9015 Interact commissioning remote with each system order.
- Must be installed in conjunction with a UL1008 device.
- Must be ordered with an integral controls option.
- Failure to properly select the "BAC" suffix could result in you receiving product that is not BAA compliant product with no recourse for an RMA or refund. This BAC designation hereunder does not address (i) the applicability of, or availability of a waiver under, the Trade Agreements Act, or (ii) the "Buy America" domestic content requirements imposed on states, localities, and other non-federal entities as a condition of receiving funds administered by the Department of Transportation or other federal agencies.
- Consult Signify to confirm whether specific accessories are BAA-compliant.
- Specify ADS diffuser for integrated sensor or EM test switch.

Accessories¹⁴ (order separately)

- FMA22: 2'x2' "F" mounting frame for NEMA "F" mounting
- FSK22: 2'x2' surface mount field installation kit (factory welded seams)
- FSF22: 2'x2' surface mount field assembly kit (field assembled)
- FPZCH48-1D-SC-UNV: adjustable cable hanger kit with straight white 18/5 cord for dimming (two-1 powered, 1 non-powered).
- FPZCH48-1D-SC-347: adjustable cable hanger kit with straight white 18/5 cord for dimming (two-1 powered, 1 non-powered).
- IRT9015: handheld remote for grouping and configuration (at least one remote required for any SWZCS installation).

Not all product variations listed on this page are DLC qualified. To ensure that a specific model is qualified, visit www.designlights.org/search



2FPZ FluxPanel

Recessed 2x2 at up to 5400 lumens

Application

- Base configurations are 1 9/16". Standard configurations are 3" Dimensions stated for overall depth, including driver box.
- Even distribution of light on the lens provides exceptionally low glare gradient minimizing distractions at the ceiling plane.
- General light distribution creates uniform horizontal and vertical illuminance on the work plane and limits scalloping on the walls.
- Excellent consistency of correlated color temperature (CCT) per ANSI C78.377.
- CRI 80 minimum color rendering with balanced spectrum.
- Designed for use with standard Grid (NEMA "G") or Narrow Grid (NEMA "NFG") ceiling T-bars. Drywall or plaster application require use with the FMA14FP "F" mounting frame accessory (sold and shipped separately).
- Accessory field install kits available for surface (FSF14) and suspended (FPZCH48) mounting.

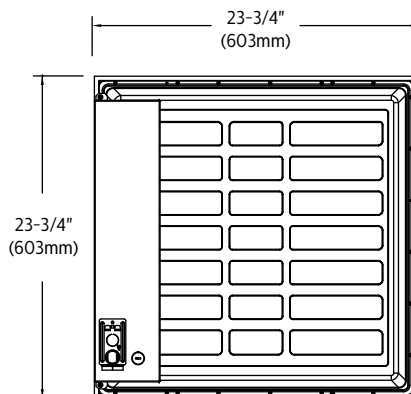
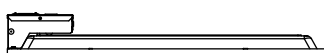
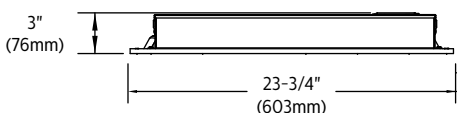
Enclosure

- Diffuser provides visual comfort and high efficiency.
- Flat opal lens is easy to clean and provides a uniform aesthetic on the ceiling plane.
- Tight enclosure assembly impedes ingress of dust and insects.

Energy data

Luminaire	Catalog	Input Power	Efficacy	DLC
2x2 Standard	2FPZ20L840	16	127	Premium
	2FPZ30L840	23	129	Premium
	2FPZ38L840	34	132	Premium
	2FPZ45L840	36	128	Premium
	2FPZ54L840	42	126	Premium
2x2 Base	2FPZ38B840	33	119	Standard

Dimensions



Note: Base configurations are 1-9/16" deep. Standard configurations are 3" deep.

Emergency driver box shown is 20.5" (521mm) long.

Standard non-EM driver box is 10.5" (267mm) long oriented 90° in tabs shown.

Electrical

- Up to 125 lm/W efficacy.
- High efficiency Advance driver featuring high power factor (>0.90), 120-277V 60/50Hz, and less than 15% THD.
- Minimum start temperature -20°C (-4°F).
- Standard configurations are 0-10V dimming to 1%. Base configurations are to 5%.
- To predict lumen output in emergency mode, multiply emergency pack wattage by luminaire efficacy, then by 1.10. Typical lumen output is 1200lm for BSL10LST, and 850lm for BSL6LST.
- Electromagnetic interference (EMI) compliant to FCC Title 47 Part 15 class A.
- Flicker and stroboscopic effect compliant to NEMA 77-2017.
- TM-21 predicted L70 lumen maintenance up to 90,000 hours per LED manufacturer LM-80 report.
- cULus (Base) or cETLus (Standard) listed to UL and CSA standards, suitable for damp locations.
- Rated for NSF/ANSI 2 – Light fixture for Non Food Zone. Not intended for use in wet location nor hose down applications.
- Rated for clean room use – meets ISO14644-1 Class 5-9 (equivalent to Federal Standard No. 209E Class 100-100,000)
- Base and Standard configurations are IC rated.
- FluxPanel luminaires are Designlights Consortium® Standard qualified. Please see the DLC QPL list for exact catalog numbers (www.designlights.org/QPL).

Construction/Finish

- Die formed galvanized steel housing.
- Extruded aluminum frame post painted with gloss white enamel finish. Corners are precision welded for seamless aesthetic.
- Emergency options available with factory installed battery pack.
- Die formed driver box with standard access plate for ease of wiring, provides tool-free access to driver(s) from above.
- Back lit LED arrays with optics provide highly efficient and unpixelated transfer of light to the diffuser.
- Integral clips accommodate definitive attachment to T-bar grid for recessed applications.
- Die formed surface box accessory kit post painted gloss white enamel.

General Notes

- All options factory installed.
- All accessories are field installed.
- Many luminaire components, such as reflectors, refractors, lenses, sockets, lampholders, and LEDs are made from various types of plastics which can be adversely affected by airborne contaminants. If sulfur based chemicals, petroleum based products, cleaning solutions, or other contaminants are expected in the intended area of use, consult factory for compatibility.
- Five year limited luminaire warranty includes LED boards and driver. Visit www.signify.com/warranties for complete warranty information.

2FPZ FluxPanel

Recessed 2x2 at up to 5400 lumens

interact

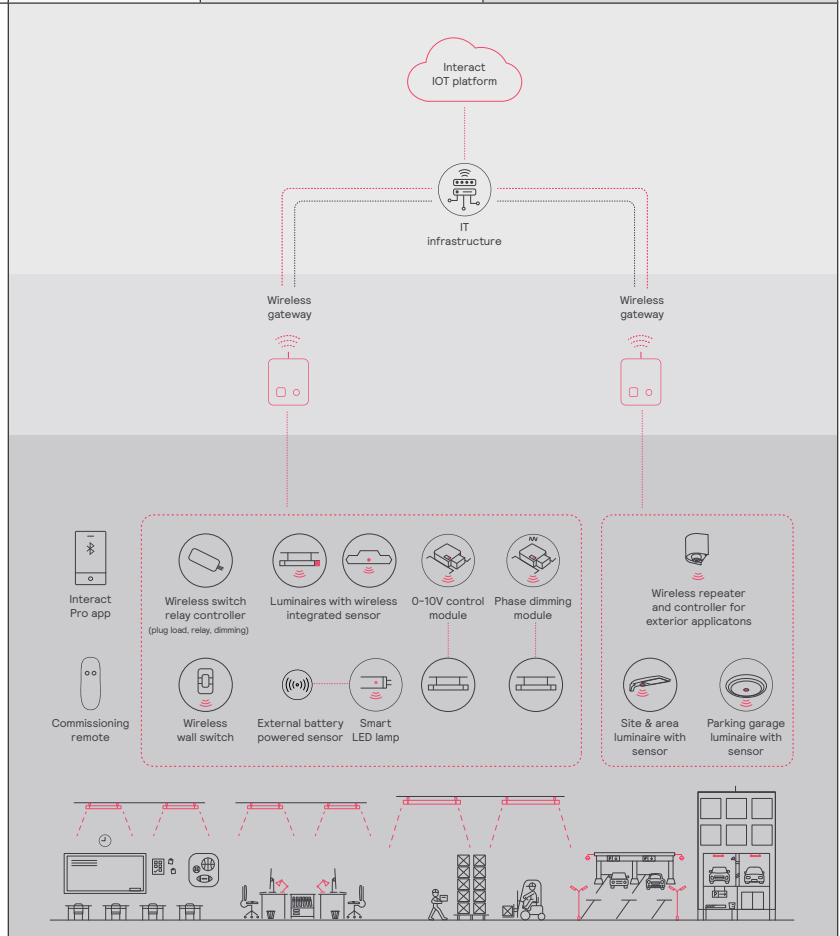
	Standalone	Gateway	Gateway + IoT
Dimming, grouping, and zoning	✓	✓	✓
Bluetooth and ZigBee enabled	✓	✓	✓
Motion sensing and daylight harvesting	✓	✓	✓
Integration with 0-10V and phase dimming fixtures	✓	✓	✓
Code compliance	✓	✓	✓
Granular dimming and dwell time	✓	✓	✓
Correlated color temperature (CCT) tuning by switch	New	✓	✓
Support for sensor-based Tunable White luminaires	New	✓	✓
Energy reporting and monitoring		✓	✓
Scheduling		✓	✓
Demand response		✓	✓
BMS integration (BACnet)			✓
Floor plan visualization			✓
IoT sensors for wellness			✓
IoT Apps for productivity			✓

Currently supported maximum system size

To be able to design the lighting system correctly for the customer, it is important to know the prime characteristics of the system, its possibilities and limitations.

System level	
Total number of gateways	Unlimited
Total number of devices	200 per network
• Luminaires with integrated sensors	150
• Smart TLEDS	150
• Zones + groups	64
Total number of ZGP devices (sensors and switches)	50
• Sensors	30
• Switches	50

Group level	
Recommended number of lights	40 (maximum 150)
Number of ZGP devices	5
Number of scenes	16



2FPZ FluxPanel

Recessed 2x2 at up to 5400 lumens

Wireless controls options

Interact – a scalable sensor

- SWZCS standalone mode or in a cloud connected mode if a compatible gateway is used.
- The sensor works in the Foundation mode (similar to SpaceWise) when configured without a gateway or in an Interact Pro Advanced or Enterprise mode if a compatible gateway is used.
- Interact includes an App, a portal and a broad portfolio of wireless luminaires, lamps and retrofit kits all working on the same system.
- Startup is implemented via Interact Pro App (Android or iPhone) & Bluetooth connectivity. The App provides flexibility to choose between a gateway or non gateway mode for setup.
- Setup with the gateway requires wired internet access to the gateway. It is possible to add a gateway at a later point.
- Prepare project configuration steps remotely and use IRT9015 remote onsite to identify and group devices together.
 - Compatible with:
 - UID8465 wireless dimmer switch
 - SWS200 wireless scene switch
 - Battery powered IP42 presence sensor OCC sensor IA CM WH 10/1
 - Battery powered IP42 presence & daylight sensor OCC-DL sensor IA CM IP42 WH
 - Battery powered IP65 presence sensor OCC sensor IA CM IP65 WH
 - Battery powered IP65 presence & daylight sensor OCC-DL sensor IA CM IP65 WH
- For more information on Interact Pro visit: www.interact-lighting.com/interactproscalablesystem

Radio only sensor (RADIO)

- Integral RADIO only sensor simply enables wireless mesh connectivity to the luminaire without any occupancy or daylight sensing.
- Ideal for applications where sensing functionality is managed by other Interact devices and the luminaire only needs to have wireless connectivity.
- Interact Pro includes an App, a portal and a broad portfolio of wireless luminaires, lamps and retrofit kits all working on the same system.
- Startup is implemented via Interact Pro App (Android or iPhone) & Bluetooth connectivity. The App provides flexibility to choose between a gateway or non-gateway mode for setup.
- Setup with the gateway requires wired internet access to the gateway. It is possible to add a gateway at a later point.
- Prepare project configuration steps remotely, identify and group devices together onsite.
- Compatible with UID8451/10 wireless dimmer switch, SWS200 wireless scene switch, wireless Occ sensor (OCC SENSOR IA CM IP42 WH 10/1) and wireless Day/Occ sensor (OCC MULTI SENSOR IA CM WH 10/1).
- For more information on Interact Pro visit: www.interact-lighting.com/interactproscalablesystem

SpaceWise DT (SWZDT)

- Standalone daylight and occupancy sensing with advanced grouping, wireless mesh networking and dwell time.
- Commissioning via compatible Android phone and Philips Field App
- Dimming via compatible Zigbee wireless wall switch only (see link below for details)
- Register for the commissioning app at <http://registration.componentcloud.philips.com/appregistration/>
- Integral sensing options may not be combined
- For more information including recommended switches, refer to the following: –
 - **SWZDT** – www.usa.lighting.philips.com/systems/lighting-systems/spacewise

Emergency Options (ER100)

- Power Sensing (Factory default) – Recommended UL924 option requires unswitched power sense line, absence of voltage on the normal circuit triggers luminaire to 100% output
- Power Interruption Detection (Field option) – Detects AC power interruption >30ms triggers 90 minute emergency mode with luminaire at 100% output

Interact supported sensor option codes across Genlyte product lines

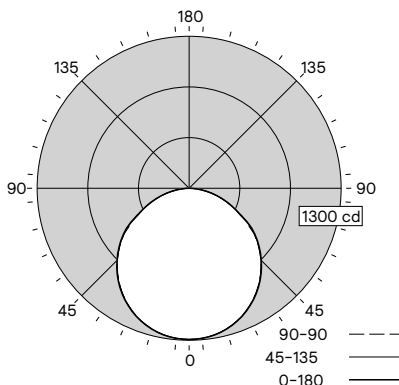
	Evokit	Day-Brite	Ledalite	Lightolier
ZigBee + Bluetooth + Sensing	SWZCS	SWZCS	CS	SBA accessory (external)
ZigBee + Bluetooth	RADIO	RADIO	RA	RA
ZigBee + Bluetooth + Sensing + Environmental data	IAOSB	IAOSB	SB	SB
ZigBee + Highbay + Sensing	-	SWZCSH	-	-

2FPZ FluxPanel

Recessed 2x2 at up to 5400 lumens

2FPZ38L835-2-DS-UNV-DIM

Luminaire Lumens 3710
Luminaire Efficacy Rating (LER) 125
Total Luminaire Watts 29.8
Spacing Criterion (0-180) 1.26



Candela Distribution						Flux
	0	22.5	45	67.5	90	Lumens
0	1293	1293	1293	1293	1293	
5	1288	1287	1288	1287	1288	122
15	1245	1244	1244	1244	1245	351
25	1159	1156	1155	1156	1159	533
35	1034	1030	1028	1030	1034	644
45	873	869	866	869	873	671
55	686	681	677	681	686	607
65	445	441	439	441	445	442
75	248	244	244	244	248	259
85	69	67	71	67	69	79
90	4	8	24	8	4	

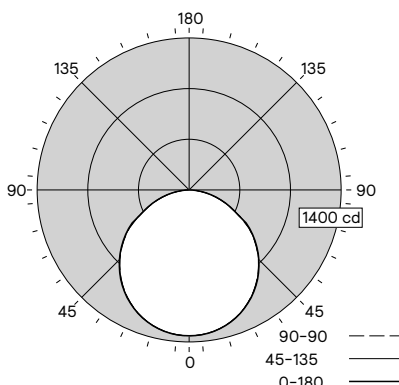
Zonal Lumen Summary			
Zone	Lumens	%Fixture	%Lamp
0-30	1007	27.1%	27.1%
0-40	1651	44.5%	44.5%
0-60	2928	78.9%	78.9%
0-90	3709	100.0%	100.0%
0-180	3710	100.0%	100.0%

Avg. Luminance (cd/m ²)			
	0	90	180
0	4247	4247	4247
5	4247	4246	4247
15	4234	4230	4234
25	4199	4185	4199
35	4145	4120	4145
45	4056	4023	4056
55	3930	3879	3930
65	3461	3414	3461
75	3146	3096	3146
85	2604	2657	2604

Coefficients of Utilization %												
Pc ---		80				70			50		0	
RCR	Pw ---	70	50	30	10	70	50	30	50	30	10	0
	0	119	119	119	119	116	116	116	111	111	111	100
	1	109	104	99	96	106	101	98	97	94	91	83
	2	99	90	83	78	96	88	82	85	80	75	69
	3	90	79	71	65	87	78	70	75	68	63	58
	4	82	70	61	55	80	69	61	66	59	53	50
	5	76	63	54	47	74	62	53	59	52	46	43
	6	70	56	47	41	68	55	47	54	46	40	38
	7	65	51	42	36	63	50	42	49	41	36	33
	8	60	47	38	32	59	46	38	45	37	32	30
	9	56	43	35	29	55	42	34	41	34	29	27
10	53	39	32	26	51	39	31	38	31	26	24	

2FPZ38L840-2-DS-UNV-DIM

Luminaire Lumens 3857
Luminaire Efficacy Rating (LER) 129
Total Luminaire Watts 29.8
Spacing Criterion (0-180) 1.27



Candela Distribution						Flux
	0	22.5	45	67.5	90	Lumens
0	1344	1344	1344	1344	1344	
5	1339	1337	1339	1337	1339	127
15	1294	1292	1293	1292	1294	365
25	1204	1202	1201	1202	1204	554
35	1074	1071	1068	1071	1074	670
45	908	904	901	904	908	697
55	713	708	705	708	713	632
65	463	459	456	459	463	461
75	257	253	252	253	257	269
85	71	69	71	69	71	81
90	4	8	22	8	4	

Zonal Lumen Summary			
Zone	Lumens	%Fixture	%Lamp
0-30	1046	27.1%	27.1%
0-40	1716	44.5%	44.5%
0-60	3045	78.9%	78.9%
0-90	3856	100.0%	100.0%
0-180	3857	100.0%	100.0%

Avg. Luminance (cd/m ²)			
	0	90	180
0	4413	4413	4413
5	4415	4413	4415
15	4400	4397	4400
25	4363	4351	4363
35	4307	4283	4307
45	4216	4185	4216
55	4084	4035	4084
65	3594	3543	3594
75	3256	3203	3256
85	2676	2679	2676

Coefficients of Utilization %												
Pc ---		80				70			50		0	
RCR	Pw ---	70	50	30	10	70	50	30	50	30	10	0
	0	119	119	119	119	116	116	116	111	111	111	100
	1	109	104	99	96	106	102	98	97	94	91	83
	2	99	90	83	78	96	88	82	85	80	75	69
	3	90	79	71	65	87	78	70	75	68	63	58
	4	82	70	61	55	80	69	61	66	59	53	50
	5	76	63	54	47	74	62	53	59	52	46	43
	6	70	56	47	41	68	55	47	54	46	40	38
	7	65	51	42	36	63	50	42	49	41	36	33
	8	60	47	38	32	59	46	38	45	37	32	30
	9	56	43	35	29	55	42	34	41	34	29	27
10	53	39	32	26	51	39	31	38	31	26	24	



© 2023 Signify Holding. All rights reserved. The information provided herein is subject to change, without notice. Signify does not give any representation or warranty as to the accuracy or completeness of the information included herein and shall not be liable for any action in reliance thereon. The information presented in this document is not intended as any commercial offer and does not form part of any quotation or contract, unless otherwise agreed by Signify.

Signify North America Corporation
 400 Crossing Blvd, Suite 600
 Bridgewater, NJ 08807
 Telephone: 800-555-0050

Signify Canada Ltd.
 281 Hillmount Road,
 Markham, ON, Canada L6C 2S3
 Telephone: 800-668-9008

All trademarks are owned by Signify Holding or their respective owners.