

Project: _____

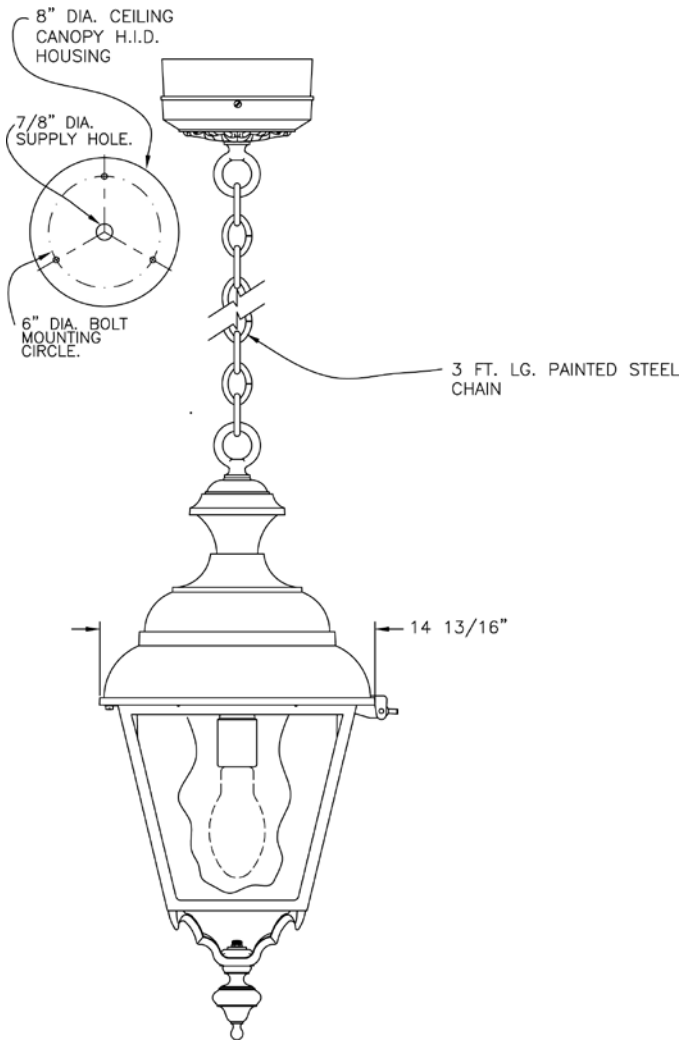
Location: _____

Cat.No: _____

Type: _____

Lamps: _____ Qty: _____

Notes: _____



Ordering Guide

Example: 31820 ABS A D 50H E D B

Product Code	31820	Grande Plymouth
Finish	ABS ACP ARD ASI BLK BRN BRZ FGN GRA IRN RBZ SRT VBZ VCP VGN VTC WBZ WHT	Antique Brass Antique Copper Antique Red Antique Silver Black Brown Bronze Forest Green Granite Ironstone Rustic Bronze Shadow Rust Verde Bronze Verde Copper Verde Vintage Copper Weathered Bronze White
Panel/Globe	A B C D E M P Q	Clear Acrylic Opal Acrylic Clear Seeded Acrylic Bronze Tone Acrylic Clear Textured Acrylic Opal Polycarbonate Clear Polycarbonate Prismatic Polycarbonate
Socket	D G L	Medium Mogul LED
Wattage/Source	50H 70H 100H 150H 50S 70S 100S 150S LED	50W MH 70W MH 100W MH 150W MH 50W HPS 70W HPS 100W HPS 150W HPS LED
Voltage	E F G H	120V 208V 240V 277V
Distribution	D E N	8" Type V Distrib. 8" Type II Distrib. None

31820 Grande Plymouth

Canopy mount

Ordering Guide

Example: 31820 ABS A D 50H E D B

Photoeye	B N	Button Eye None	*1
----------	--------	--------------------	----

*1 Button Eye (B) only available in 120V (E).

Specifications

CONSTRUCTION:

Cast aluminum canopy assembly with ceiling canopy and decorative cover. Cast aluminum loop, cap, and neck. 3 ft. of painted steel chain. Cast aluminum hex roof. Cast aluminum hex cage with removable door for easy relamping. Cast aluminum decorative frog bottom welded to hex cage. Cast aluminum knob.

FINISH:

Resilient TGIC thermoset polyester powdercoat paint is electrostatically applied to every fixture. Specially formulated for Philips Outdoor Lighting, it provides UV protection, and the highest temperature rating in the industry. In addition to the standard color choices shown, a spectrum of custom colors is available.

PANELS/LENS/GLOBE:

Five cage and one door Prismatic Polycarbonate (PP) panels.

LAMPING:

Lamp is not included.

ELECTRICAL ASSEMBLY:

Porcelain mogul base 4kv socket. Medium base 4kv socket also available. Fixture is pre-wired with 18 AWG black, white, and ground wires. Lantern will be pre-wired and tested. All electrical components are U.L. listed.

BALLAST:

Ballast and component parts are securely mounted inside No. 55 canopy. (Customer must specify wattage and voltage.)

MOUNTING:

See template for dimensions & mounting instructions.

WARRANTY:

Three-year limited warranty.

CERTIFICATIONS:

ETL Listed to U.S. safety standards for wet locations. cETL Listed to Canadian safety standards for wet locations.

Height:

41 5/8"

Width:

14 3/4"

Max. Weight:

44 lbs.

