

# CHLORIDE

by  Signify

## Exit/Emergency

Synthesis CHUPS series

Sine Wave Uninterruptible  
Power Supply, 550-1,500 VA



Project: \_\_\_\_\_  
Location: \_\_\_\_\_  
Cat.No: \_\_\_\_\_  
Type: \_\_\_\_\_  
Lamps: \_\_\_\_\_ Qty: \_\_\_\_\_  
Notes: \_\_\_\_\_

### Example: CHUPS550BOCB1

Series	VA Rating	Voltage Configuration	Output Circuit Breakers	Options
CHUPS - 90 Min. Backup CHUPSX - 10 Min. Backup CHUPSY - 20 Min. Backup	550 - 550 VA 1000 - 1,000 VA 1500 - 1,500 VA	A - 120 Input, 120 Output B - 277 Input, 277 Output	OCB1 - 550 VA OCB3 - 1000, 1500 VA	FSU - Start-up Service EXT- Extended Warranty <sup>1</sup>

#### Footnotes

<sup>1</sup> EXT option only available with FSU.

<sup>2</sup> Increases or decreases in temperature will affect battery performance. Optimum battery performance realized at 77°F (25°C). Batteries are rated at 100% capacity at 77°F (25°C).

#### unit check list

Catalog No: _____
VA Rating: _____
Battery Type: Sealed Lead Calcium
Operating Time: Hrs. ____ Min. ____
Input: _____ VAC, Single Phase, 2 Wires
Output: _____ VAC, Single Phase, 2 Wires
Output Circuit Breakers:
(1) 550 VA AC Volts: _____ Amps: _____ Normally On
(3) 1000, 1500 VA AC Volts: _____ Amps: _____ Normally On
Options: <input type="checkbox"/> FSU <input type="checkbox"/> EXT
Remarks: _____



# CHUPS Synthesis Sine Wave Uninterruptible Power Supply

550-1,500 VA

---

## codes and standards

- UL 924 listed, UL 924 auxiliary equipment listed

## construction

- Free standing, NEMA 1 enclosure with locking doors and acid-resistant powder coat finish.
- Multiple conduit entries.
- 83% throughput efficiency.
- Single conversion UPS, no transfer time.
- Operating temperature range of 32°F (0°C) to 104°F (40°C); 65°F (19°C) to 85°F (30°C) for batteries.
- Standard 90 minutes of operating time, 10 and 20 minute operating times available.
- Full-time, isolating transformer.
- Variable range regulator allows wider range of acceptable input voltage variation.
- ANSI/IEEE C62.41 category A & B surge voltage withstand capability.

## application

- Operates incandescent, electronic ballast loads and HID lighting loads as well as critical loads requiring conditioned emergency power.

## electronics – input

- Input power factor self-correcting to > 0.95.
- Frequency 60.0 Hz ± 2.5 Hz.
- Input voltage tolerance +10% to -15%.
- Input harmonics < 8% THD.

## electronics – output

- Solid state PWM inverter with sine wave output.
- Output voltage regulation ±3% of nominal at full load.
- Output frequency 60 Hz ± 0.2%.
- Load power factor capability is 0.6 lagging to unity.
- Overload rating: 125% for 10 minutes.
- Efficiency: 82% to 86%.

## electronics – charger

- Low voltage disconnect (LVD).
- 3 A, 2-stage.
- Recharge time: UL 924 compliant.

## standard metering/controls

- AC input and output voltage.
- AC input breaker, AC output breaker.
- Battery disconnect device.
- Automatic battery monitor with alarm.
- LED indicating lamps for system on utility, system on battery, low battery warning.

## battery

- Maintenance free, sealed lead calcium battery with an expected life up to 10 years, and optimum operating range of 65°F (19°C) to 85°F (30°C).

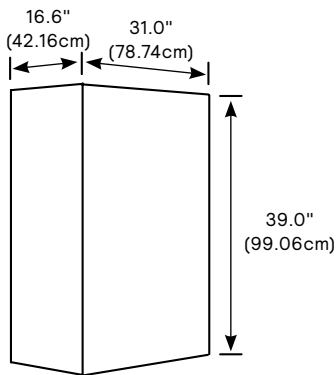
## warranty

- Electronics: 1 year.
- Battery: 1 year full, 9 years pro-rata.
- Extended warranty options available.

# CHUPS Synthesis Sine Wave Uninterruptible Power Supply

550-1,500 VA

## dimensions



## system input/output

MODEL	CAPACITY	Input (select one)		Output (select one)		BREAKERS INCLUDED	HEAT REJECTION (BTU/HR)
		AC INPUT VOLTAGES	INPUT AMPS <sup>1</sup>	AVAILABLE OUTPUT VOLTAGES/ MAX LOAD AMPS			
		120	6.5	120 V	277V		
CHUPS550	550 VA	277	2.8	4.6	2.0	1	410
CHUPS1000	1,000 VA	120	11.5	8.3	3.6	3	545
CHUPS1500	1,500 VA	277	5.0	12.5	5.4	3	615
		120	17.2			3	
		277	7.4			3	

Note 1) Maximum input current.

	550 VA	1000 VA	1500 VA
<b>CABINET &amp; ELECTRONICS</b>	223 lbs (101.0 kg)	223 lbs (101.0 kg)	262 lbs (119.0 kg)
<b>SEALED LEAD CALCIUM BATTERY</b>			
10 Min Backup	44 lbs (19.9 kg)	59 lbs (26.8 kg)	88 lbs (39.9 kg)
20 Min Backup	54 lbs (24.5 kg)	88 lbs (39.9 kg)	108 lbs (49.0 kg)
90 Min Backup	121 lbs (55.0 kg)	203 lbs (92.0 kg)	288 lbs (131.0 kg)

## system one-line diagram

