

Day-Brite

CFI

by  Signify

Special Application

CRC series corner mount

Cleanroom
T5, T5HO, or T8



Project: _____
 Location: _____
 Cat.No: _____
 Type: _____
 Lamps: _____ Qty: _____
 Notes: _____

The Day-Brite / CFI CRC series corner mount is a cleanroom luminaire designed to meet the criteria for critical environments in corner mount applications.

Ordering guide

Example: CRC232-UNV-A-1/2-EB

Family	No. of Lamps	Lamp Type ¹	Voltage	Lens Type	No. of Ballasts	Ballast Type	Options
CRC		—	—	—	—	—	
CRC Corner mount containment	1 One lamp	14 14WT5 (24")	UNV Universal voltage, 120-277V 120 120V 277 277V 347 347V	A .125 Prismatic Acrylic	1/1 1-Lamp Ballast	EB Electronic ballast, <10% THD, T8 instant start, T5 rapid start EB10R Electronic ballast, T8 rapid start, <10% THD SB Specified ballast	E7 B60 emerg. ballast, T8, 600-700 lumens, 120/277V ^{2,3}
	2 Two lamps	17 17WT8 (24")		B .125 DR Prismatic Acrylic	1/2 2-Lamp Ballast		E5 B50 emerg. ballast, U.S. or Canada market, T8, 1100-1400 lumens, UNV ^{2,3}
	3 Three lamps	24HO 24WT5HO (24")		C .140 DR Prismatic Acrylic	1/3 3-Lamp Ballast		E7LP LP550 emerg. ballast T5/T5HO, 430-700 lumens, 120/277V ^{2,3}
		28 28WT5 (48")		D .187 DR Prismatic Acrylic	1/21 2-Lamp & 1-Lamp Ballast		E6LP LP600 emerg. ballast U.S. or Canada market, T5/T5HO, 750-1325 lumens, 120/277V ^{2,3}
		32 32WT8 (48")		E .125 Prismatic Polycarbonate			SS Stainless steel housing, brushed stainless steel door
		54HO 54WT5HO (48")		F .187 Prismatic Polycarbonate			SSD CRS housing, brushed stainless steel door
				G .156 Prismatic Tempered Glass			ALUM .050" painted aluminum housing and door
				H .156 Prismatic Polycarbonate			ADP .050" painted aluminum door, CRS housing
				UV .007 UV Absorbing Overlay			GLR Fusing, fast blow
							AG Agion™ antimicrobial protection in powder coat paint (white finish only)
				NLF7 7W PL Night Light ^{2,3}			
				NLEDS LED nightlight ³ (120V only)			

Footnotes

- ¹ Lamps supplied by others.
- ² Specify voltage.
- ³ Limited availability in 2 ft. luminaire. Consult factory.

General Notes

• Many luminaire components, such as reflectors, refractors, lenses, sockets, lampholders, and LEDs are made from various types of plastics which can be adversely affected by airborne contaminants. If sulfur based chemicals, petroleum based products, cleaning solutions, or other contaminants are expected in the intended area of use, consult factory for compatibility.



CRC Corner mount

Cleanroom, T5, T5HO, or T8

Standards

- ETL (US/Canada) Wet Location listed,
- Suitable for Class 100, 1,000, 10,000, 100,000 environments
- NSF2 Food Zone/Non-Contact and Splash Zone.

Construction/Finish

- 18-gauge cold rolled steel "hole-free" housing with welded seams. Optional stainless steel or aluminum housing available,
- 18-gauge one-piece cold rolled steel door. Optional brushed stainless steel or aluminum door available.
- Captive stainless steel Phillips flat head fasteners are standard.
- Standard baked white polyester powder coat paint finish. Multi-stage pretreatment process. Salt spray 1,000 hours.

Lens

- Standard .125" clear prismatic acrylic lens with smooth side exposed to facilitate cleaning. Optional lensing shown below.
- Continuous formed channels for positive lens retention.
- Lens and door sealed with closed cell neoprene sponge door and lens gasketing.

Option

- Agion™ Antimicrobial protection using silver technology inhibits bacterial colonization on metal interior and exterior surfaces. Agion™ antimicrobial FDA recognized and EPA registered, meeting all applicable EPA standards. Only available with standard white finish.

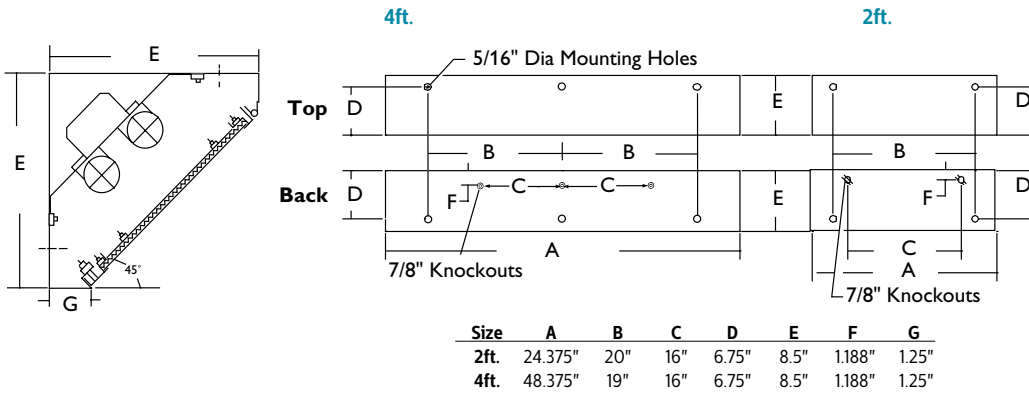
Electrical

- Standard Class P sound rated A electronic ballasts. Other ballast options available.

Installation

- Corner mount with flattened 7/8" knockouts in top and ends of housing.

Dimensions



Some luminaires use fluorescent or high intensity discharge (HID) lamps that contain small amounts of mercury. Such lamps are labeled, "Contain Mercury" and/or the symbol "HG". Lamps that contain mercury must be disposed of in accordance with local requirements. Information regarding lamp recycling and disposal can be found at www.lamprecycle.org

