

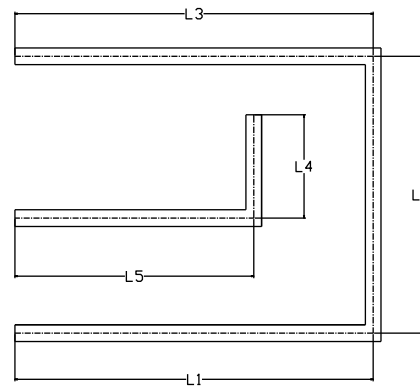
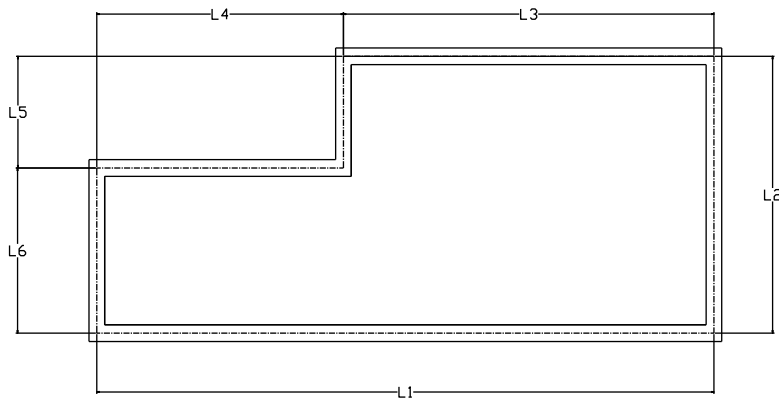
System Overview

These instructions review how to install drywall versions of TruGroove recessed micro corners. Please refer to layout drawings supplied by Philips Ledalite with these installation instructions. These instructions must be used in conjunction with TruGroove recessed micro Drywall Ceiling Standalone and Continuous Run Installation Instructions. The graphics below show the corner types available and steps required to correctly install TruGroove recessed micro corners in drywall ceilings. These instructions apply to trim and trimless TruGroove product configurations.

Ceiling Cutout Information

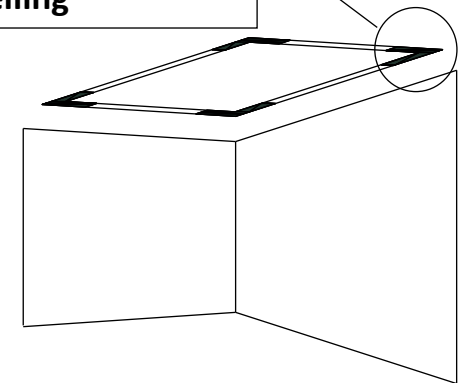
IMPORTANT:

Continuous run ceiling and wall cutout dimensions shown below come from supplied layout drawings. Layout drawings for all patterns show dimensions to corner centers. Framing, ceiling and wall preparation must be done according to provided layout drawing pattern leg dimensions and detailed instructions.



IMPORTANT: Identify each fixture type and location before installing any fixtures in ceiling.

Flat corner in-
ceiling



IMPORTANT INSTALLATION STEPS (TRIMLESS VERSION): 1. Install required mounting brackets (if applicable) and power feed(s). 2. Install framing/blocking as per supplied layout drawings and instructions. 3. Install drywall. 4. Install all lighting fixtures. 5. Install corner bead(s) and tape. 6. Mud, sand and finish wall(s) and ceiling(s).

! ATTENTION: Install in accordance with national and local building and electrical codes.

Page 1

Framing & Drywall Notes

! IMPORTANT

- “C” Channels (or equivalent) must be properly braced to ensure accuracy of cutout in drywall.
- Use appropriate tools to outline specified dimensions of ceiling cut-out to ensure straightness of cutting.
- Lens will not insert properly if fixture trim has mud or paint build-up.

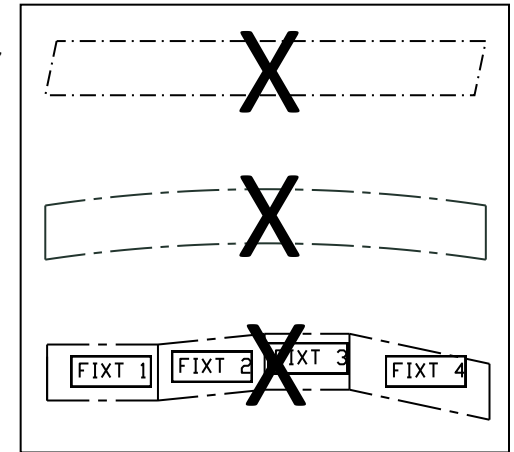
Ceiling Cut-out Details



! IMPORTANT

- The straightness and accuracy of the cut-out in the drywall is crucial in ensuring proper fit for the fixture.
- The cut-out MUST fall within the specified tolerances.

AVOID



FIXT = FIXTURE MODULE

Flat Corner In-Ceiling

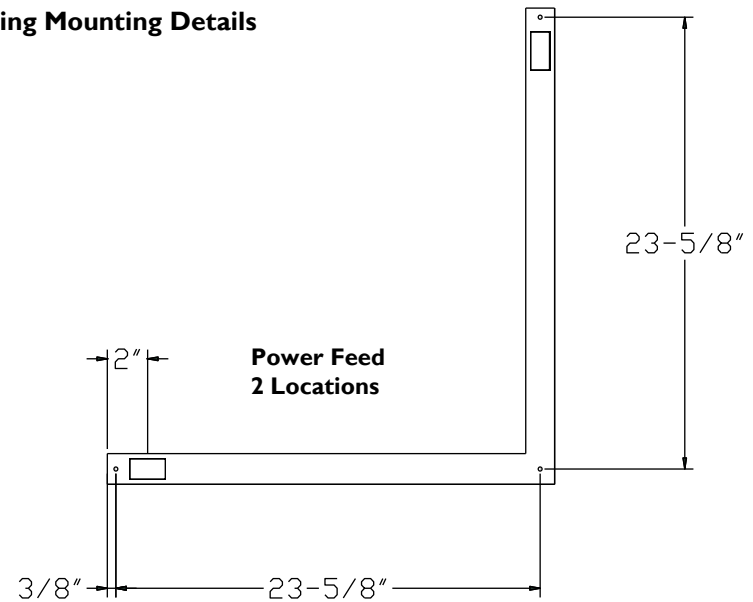
For continuous run fixtures, the cut-out in the drywall ceiling should be measured and cut as shown on page 2 and 3. Refer to Drywall Ceiling Standalone and Continuous Run Installation Instruction for fixture mounting locations details.

Determine corner location and refer to figure A for specific in-ceiling corner mounting dimensions.

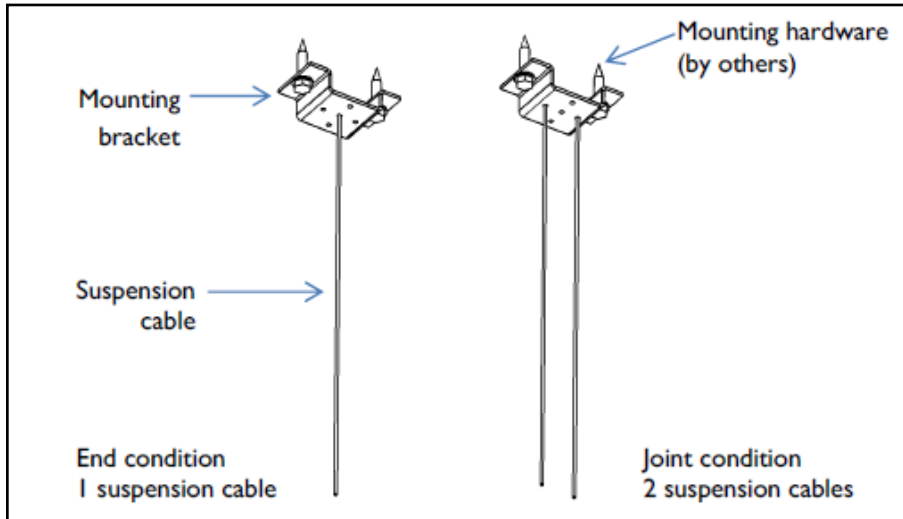
Ceiling Mounting Details

Flat Corners Installed In Ceiling Require 3

Mounting Locations

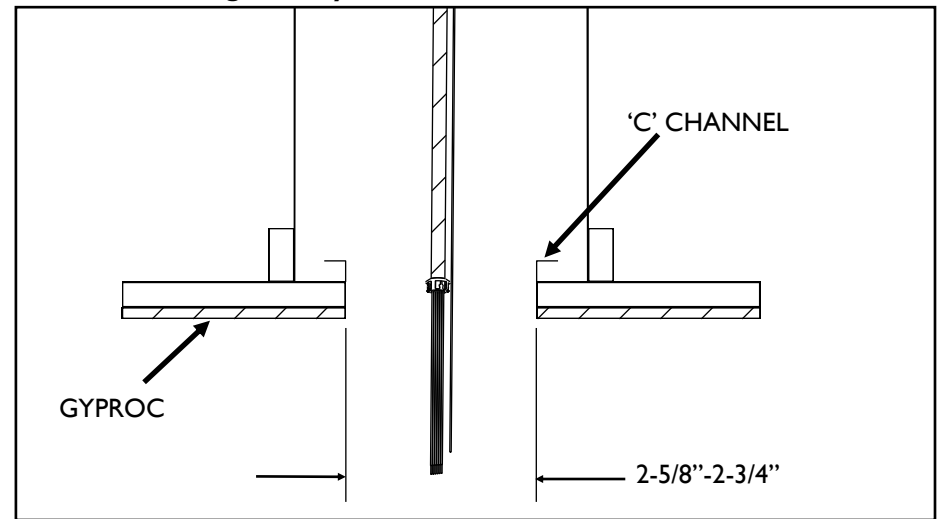


1. Install Mounts and Power Cables



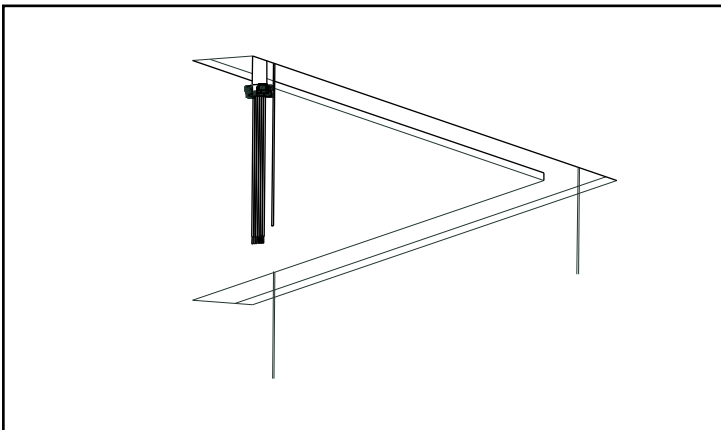
Install mounting brackets, suspension cables and power cables at required locations. Use one bracket and one suspension cable at end condition. Use one bracket and 2 suspension cables at a joint condition. Mounting bracket must be centered above fixture joint. NOTE: Mounting hardware by others.

2. Install Framing and Drywall



Install 'C' channel along full fixture perimeter to cutout specified drywall and cut opening to dimensions shown. **IMPORTANT:** See details on page 2 for proper fixture and corner fit.

3. Finish Ceiling Preparation



4. Prepare Fixtures/Reference Layout Drawings

Arrange boxed fixtures on floor in specified mounting locations, based on supplied layout drawings. Match up each fixture based on the spec. tag and ID number labeled on each box for the specified run.

5. Install Corners and Fixtures

Follow TruGroove recessed micro Drywall Ceiling Standalone and Continuous Run Installation Instructions.

Installation Tip: Begin installation by suspending corner unit first and work outwards to complete a continuous run.

! ATTENTION: Install in accordance with national and local building and electrical codes.