



Alcyon LED Horizontal Cylinders are ideal for display, accent and task lighting and offer higher efficiency than incandescent or halogen sources leading to energy savings with no ultraviolet or infrared radiation. Alcyon provides concentrated light which dramatically draws interest to objects and elements in a space.

Project: _____
 Location: _____
 Cat.No: _____
 Type: _____
 Lamps: _____ Qty: _____
 Notes: _____

Fixture Complete Unit = Fixture + Reflector

example: LLAH11840ATE

Series	Lumens	CRI/CCT*	Finish	Dimming	Options
LLAH	11				
LLAH Alcyon LED Horizontal Cylinder	11 1200lm	830 80CRI/3000K	W White	TE Triac/ELV	— None (leave blank)
		835 80CRI/3500K	A Alum.		
		840 80CRI/4000K	B Black		
		927 90CRI/2700K			
		930 90CRI/3000K	See above	TE Triac/ELV	CW CrispWhite

Reflector

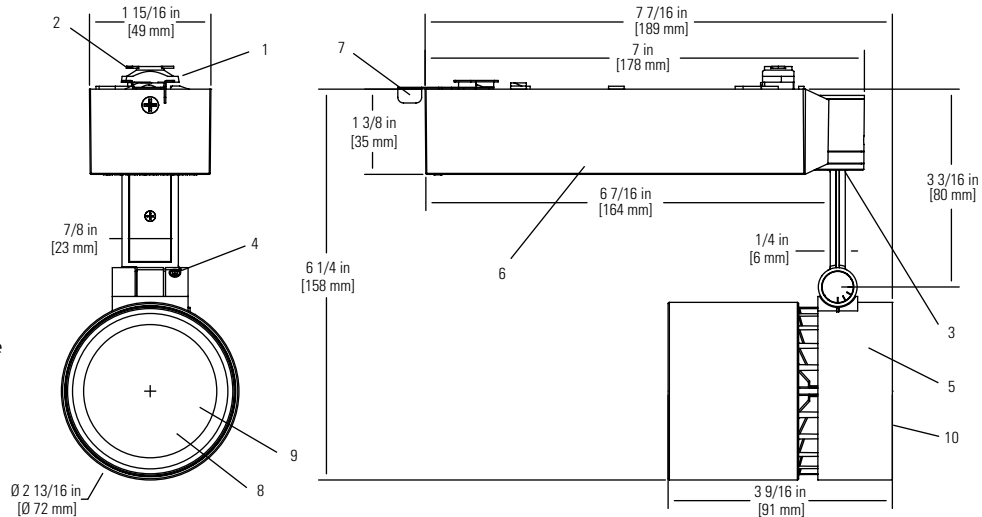
example: LLRNS

Series	Reflector
LL	
LL Alcyon LED Horizontal Cylinder	RS 14° Spot
	RNF 23° Narrow flood
	RF 29° Flood

For other configurations and variations please contact the factory.

Features

- Track attachment fitting:** for mechanical/electrical connection.
- Brass contact:** extends for connection to second circuit (advent track only).
- Horizontal pivot:** wireless stem profile with 365° horizontal rotation.
- Vertical pivot:** 0-90° vertical adjustment with aiming indicator.
- Integrated housing heat sink:** die-cast aluminum maintains LED junction temperature for minimum 50,000 hr lifetime at 70% lumen maintenance
- Driver housing:** molded polycarbonate
- Safety locking lever:** locks driver housing to track
- Interchangeable optics:** sold separately.
- Led board:** Chip-on-board LED.



Mounting

For the use with Lytespan Radius, Basic and Advent Track. Not compatible with extension wands or slope ceiling adapters. For monopoint applications refer to specification sheet 6173.

Accessories*

- Accessory holder**
 LLA01AHWH Accessory Holder White
 LLA01AHBK Accessory Holder Black
- Louwer**
 AL25HC 2.5" Diam Hex Cell Louwer

* When using two accessories must use holder.

Snoot

- LLA01SNWH Snoot 2.42" dia. white
 LLA01SNBK Snoot 2.42" dia. black

Diffusion/Color filters

- AF25, ADF25 Series



LLAH Alcyon LED Horizontal Cylinder

Electrical

Electronic power supply
 input voltage: 120V, 50/60 Hz
 Input power: 13.9W
 Slide down Efficiency: 90+lm/W
 High power factor >0.9 ELV
 dimming available
 CRI: 80 (min)

Dimming

Trailing edge (ELV) dimming compatible
SR400RPC120 Philips Controls Sunrise (100-5%)
ZP425QE Philips Controls (100-4%)
SELV-300P Lutron Skylark (100-5%)
MAELV-600 Lutron (100-2%)
IPE04 Leviton Decora (100-3%)
6615-POW Leviton Decora (100-8%)

Finish

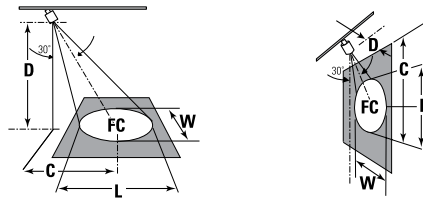
All painted finishes are baked enamel.

Labels

cULus Listed.
 Energy Star certified
 Accessories are not Energy Star qualified.
 5 year warranty

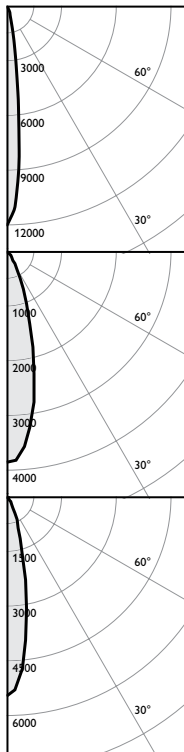
Aiming angles

L and W are the outer points where the candle power drops to 50% of the maximum. FC are the initial footcandles at the center of the beam. Data shown is for 3000K, for 2700K multiply FC by 0.91.



D Distance
C Distance to center beam
FC Footcandle
L Beam length
W Beam Width
A Aiming Angle

CBCP Center Beam Candle Power



Track: LLAH11830WTE
Reflector: LLRS
 CCT¹: 3000K
 Output lumens: 1263 lms
 Input watts²: 13.9 W
 Efficacy: 90.9 lm/w
 CRI: 80 min
 CBCP: 11,813 cd
 Beam Angle: 14°
 Report no³: 1273GFR

Track: LLAH11830WTE
Reflector: LLRF
 CCT¹: 3000K
 Output lumens: 1290 lms
 Input watts²: 13.9 W
 Efficacy: 92.8 lm/w
 CRI: 80 min
 CBCP: 5,446 cd
 Beam Angle: 23°
 Report no³: 1227GFR

Track: LLAH11830WTE
Reflector: LLRF
 CCT¹: 3000K
 Output lumens: 1256 lms
 Input watts²: 13.9 W
 Efficacy: 90.4 lm/w
 CRI: 80 min
 CBCP: 3,855 cd
 Beam Angle: 29°
 Report no³: 1228GFR

Spot

30° Horizontal Aiming

Distance	Beam			
	D	C	F.C.	W
6	3.5	213	2.0	1.7
8	4.6	120	2.6	2.3
10	5.8	77	3.3	2.8
12	6.9	53	3.9	3.4

30° Horizontal Aiming

Distance	Beam			
	D	C	F.C.	W
2	3.5	369	2.1	1.0
3	5.2	164	3.1	1.5
4	6.9	92	4.1	2.0
5	8.7	59	5.1	2.5

Narrow Flood

30° Horizontal Aiming

Distance	Beam			
	D	C	F.C.	W
6	3.5	98	3.3	2.8
8	4.6	55	4.4	3.8
10	5.8	35	5.5	4.7
12	6.9	25	6.6	5.6

30° Horizontal Aiming

Distance	Beam			
	D	C	F.C.	W
2	3.5	170	3.7	1.6
3	5.2	76	5.6	2.4
4	6.9	43	7.4	3.3
5	8.7	27	9.3	4.1

Flood

30° Horizontal Aiming

Distance	Beam			
	D	C	F.C.	W
6	3.5	70	4.2	3.6
8	4.6	39	5.6	4.8
10	5.8	25	7.1	6.0
12	6.9	17	8.5	7.2

30° Horizontal Aiming

Distance	Beam			
	D	C	F.C.	W
2	3.5	120	5.2	2.1
3	5.2	54	7.8	3.1
4	6.9	30	10.4	4.1
5	8.7	19	12.9	5.2

1. Correlated Color Temperature within specs as defined in ANSI_NEMA_ANSI C78.377-2008: Specifications for the Chromaticity of Solid State Lighting Products.
 2. Wattage controlled to within +/- 5%.
 3. Tested using absolute photometry as specified in LM79: IESNA Approved Method for the Electrical and Photometric Measurements of Solid-State Lighting Products.

