

LIGHTOLIER

by  Signify

Decorative

IS-FS01

Vetro Luminaires

Read and understand these instructions before installing luminaire.

This luminaire is intended for installation in accordance with the National Electrical Code and local regulations. To assure full compliance with local codes and regulations, check with your local electrical inspector before installation. To prevent electrical shock, turn off electricity at fuse box before proceeding.

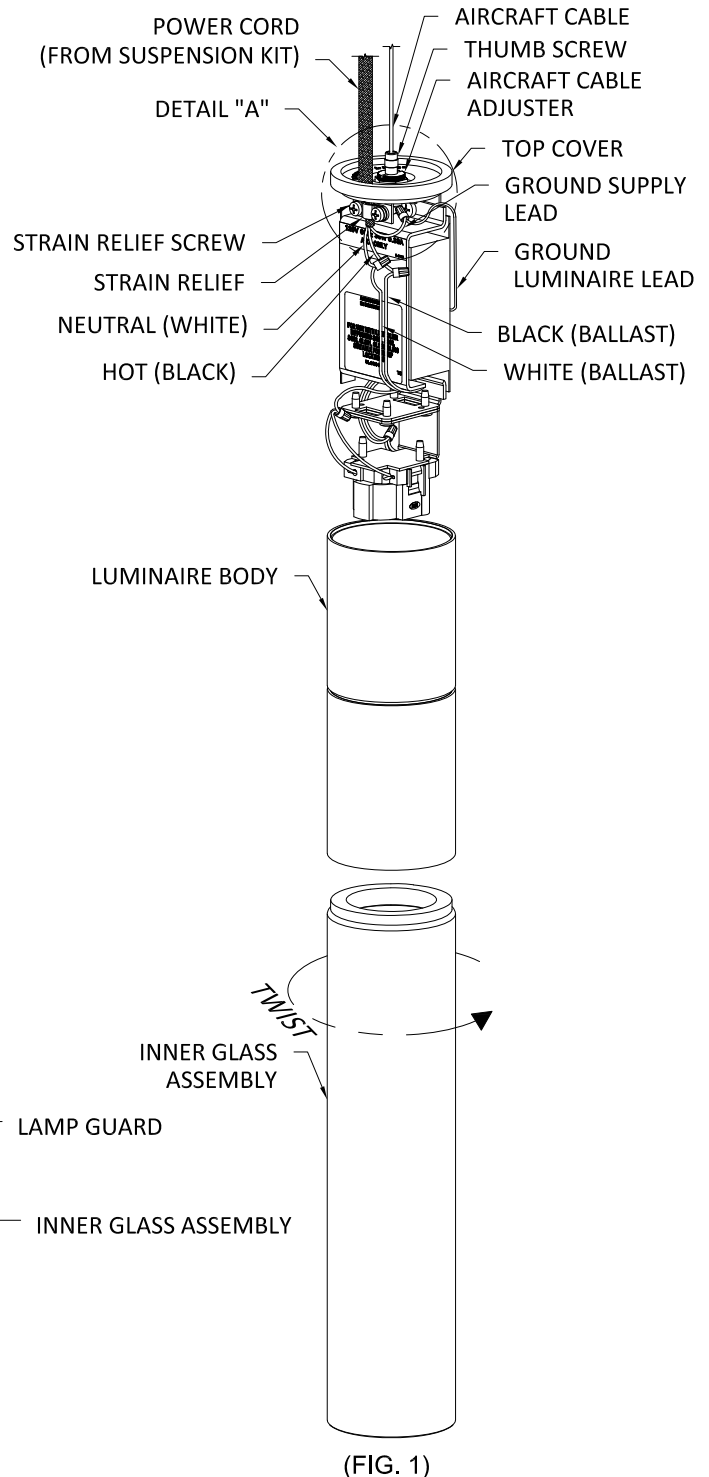
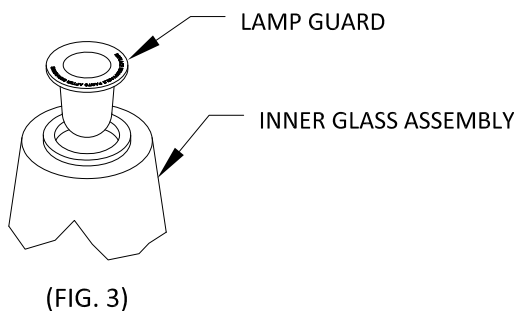
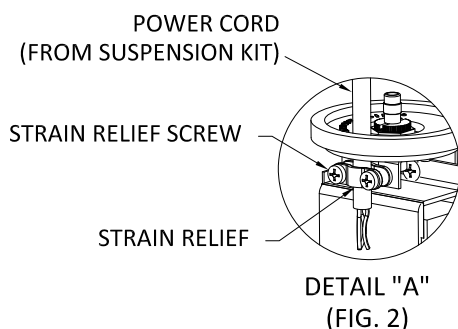
Retain these instructions for maintenance reference.

Note: This Instruction Sheet covers several luminaire types and styles. Although the illustration may not depict the product exactly, the installation remains the same.

Luminaires Using SK Series Suspension Kits:

1. Unscrew LUMINAIRE BODY from TOP COVER to expose internal assembly (fig. 1).
2. Loosen THUMB SCREW on AIRCRAFT CABLE ADJUSTER and insert AIRCRAFT CABLE through the adjuster.
3. Determine approximate overall length luminaire is to hang. Cut off any excess POWER CORD from the canopy side and AIRCRAFT CABLE (Note: DO NOT cut the POWER CORD end with the fiberglass sleeving and tape). Make certain to add an extra 6" of POWER CORD and 1" of AIRCRAFT CABLE to overall height determined.
4. Once the luminaire is hung at the determined height re-tighten AIRCRAFT CABLE ADJUSTER THUMB SCREW.
5. Loosen, but do not remove, STRAIN RELIEF SCREWS.
6. Pass the POWER CORD through hole in TOP COVER and then through STRAIN RELIEF (fig. 2).
7. Re-tighten STRAIN RELIEF SCREWS.
8. Make electrical connections: Connect BLACK(CFL/INC.) / BROWN(LED) LUMINAIRE LEAD to HOT (BLACK) SUPPLY LEAD; WHITE(CFL/INC.) / BLUE(LED) LUMINAIRE LEAD to NEUTRAL (WHITE) SUPPLY LEAD; TWO GROUND LUMINAIRE LEAD (COPPER) must be connected to the GROUND SUPPLY LEAD. Use the wire nuts supplied to make connections.
9. Pass the internal assembly back into LUMINAIRE BODY making certain the wires and connections are not pinched. Fully tighten the TOP COVER to the top of the LUMINAIRE BODY.
10. Install recommended lamp (provided by others).
11. Screw on INNER GLASS ASSEMBLY. For IA and IS versions insert LAMP GUARD into INNER GLASS ASSEMBLY (fig. 3).
12. For suspension installation see instruction sheet supplied with the suspension kits.

CAUTION: MAXIMUM WATTAGE AS MARKED ON LUMINAIRE MUST NOT BE EXCEEDED



IS-FS01 Vetro Luminaires

Read and understand these instructions before installing luminaire.

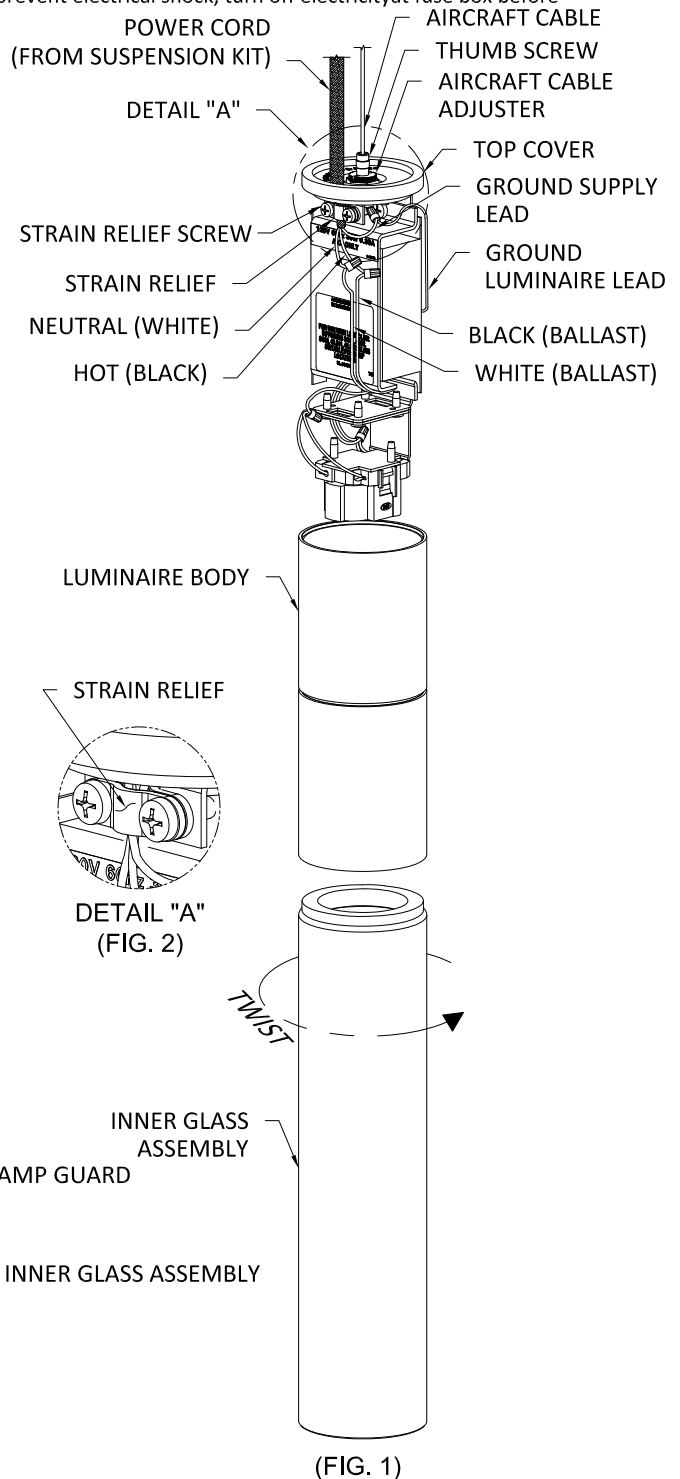
This luminaire is intended for installation in accordance with the National Electrical Code and local regulations. To assure full compliance with local codes and regulations, check with your local electrical inspector before installation. To prevent electrical shock, turn off electricity at fuse box before proceeding.

Retain these instructions for maintenance reference.

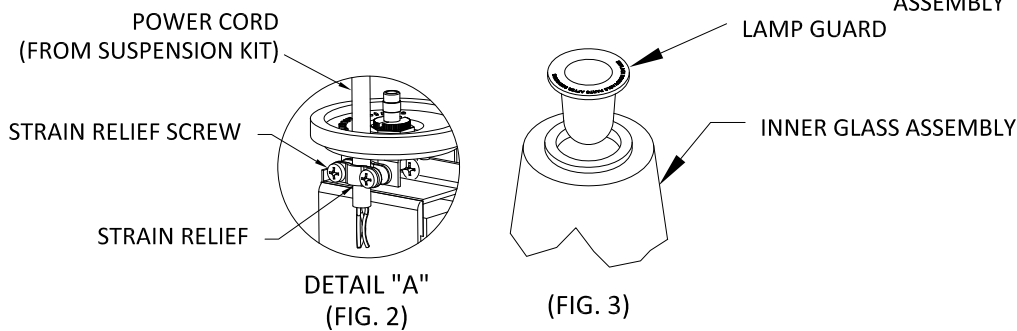
Note: This Instruction Sheet covers several luminaire types and styles. Although the illustration may not depict the product exactly, the installation remains the same.

Luminaires Using ST & CTC Series Suspension Kits:

1. Unscrew LUMINAIRE BODY from TOP COVER to expose internal assembly (fig. 1).
2. Unscrew AIRCRAFT CABLE ADJUSTER from TOP COVER and discard, retain HEX NUT (fig. 3).
3. Bring TOP COVER with the internal assembly up to STEM and insert STEM through both TOP COVER and internal assembly. Tighten STEM to TOP COVER and internal assembly with HEX NUT from the AIRCRAFT CABLE ADJUSTER (fig. 4). Tighten the LOCKING RING.
4. Insert SET SCREW into TOP COVER until SET SCREW top is flush to TOP COVER (note: there is no stop for the SET SCREW).
5. Loosen, but do not remove, STRAIN RELIEF SCREWS.
6. Bring the three-supply leads through the STEM and into STRAIN RELIEF (fig 2).
7. Re-tighten STRAIN RELIEF SCREWS.
8. Make electrical connections: Connect BLACK(CFL/INC.)/BROWN(LED) LUMINAIRE LEAD to HOT (BLACK) SUPPLY LEAD; WHITE(CFL/INC.) / BLUE(LED) LUMINAIRE LEAD to NEUTRAL (WHITE) SUPPLY LEAD; TWO GROUND LUMINAIRE LEAD (COPPER) must be connected to the GROUND SUPPLY LEAD. Use the wire nuts supplied to make connections.
9. Pass internal assembly back into LUMINAIRE BODY, making certain the wires and connections are not pinched. Fully tighten TOP COVER to the top of LUMINAIRE BODY.
10. Install recommended lamp (provided by others).
11. Screw on INNER GLASS ASSEMBLY. For IA and IS versions insert LAMP GUARD into INNER GLASS ASSEMBLY (fig. 5).
12. For suspension installation see instruction sheet supplied with the Suspension kits.



CAUTION: MAXIMUM WATTAGE AS MARKED ON LUMINAIRE MUST NOT BE EXCEEDED



Signify