



The right choice for a broad range of new construction and retrofit applications

Centium T8 Instant Start

Reliable and energy efficient Philips Advance's Centium commercial grade specifications, plus added benefits of lamp striation reduction technology.

Avantages

- Compatible with Energy Saving lamps
- Eligible for Utility Rebates
- Maximizes fixture design
- Reduces packaging waste

Fonctions

- IntelliVolt (120-277V) input voltage range
- Lamp Striation Reduction
- Meets NEMA Premium/CEE
- Smallest enclosure in industry

Application

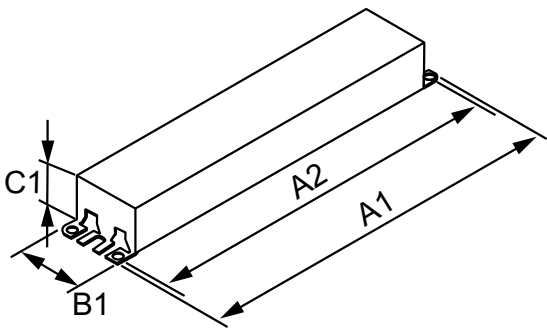
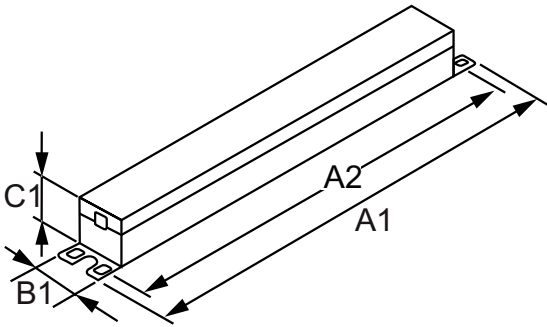
- General office lighting, institutional, government, health care, school applications.

Centium T8 Instant Start

Versions



Schéma dimensionnel



Product

CENTIUM ELE BALLAST (1) F32T8 120-277V

CENTIUM ELE BALLAST (2) F32T8 120-277V

Product

CENTIUM ELE BALLAST (4) F32T8 120-277V

CENTIUM ELE BALLAST (4) F32T8 120-277V

CENTIUM ELE BALLAST (1) F32T8 120-277V

CENTIUM ELE BALLAST (1) F32T8 120-277V

CENTIUM ELE BALLAST (3) F32T8 120-277V

CENTIUM ELE BALLAST (3) F32T8 120-277V

CENTIUM ELE BALLAST (2) F32T8 120-277V

CENTIUM ELE BALLAST (2) F32T8 120-277V

Fonctionnement et électricité

Fréquence d'entrée	50 à 60 Hz
Tension d'entrée	120 to 277 V
Distorsion harmonique totale États-Unis	10 %

Renseignements généraux

Type de lampe	F32T8
---------------	-------

Renseignements généraux

Centium T8 Instant Start

Order Code	Full Product Name	Nombre de lampes
109108	CENTIUM ELE BALLAST (3) F32T8 120-277V	2/3 piece/unit
109116	CENTIUM ELE BALLAST (3) F32T8 120-277V	2/3 piece/unit
109132	CENTIUM ELE BALLAST (4) F32T8 120-277V	3/4 piece/unit
109140	CENTIUM ELE BALLAST (4) F32T8 120-277V	3/4 piece/unit
196865	CENTIUM ELE BALLAST (2) F32T8 120-277V	1/2 piece/unit

Order Code	Full Product Name	Nombre de lampes
196873	CENTIUM ELE BALLAST (2) F32T8 120-277V	1/2 piece/unit
199471	CENTIUM ELE BALLAST (1) F32T8 120-277V	1 piece/unit
197756	CENTIUM ELE BALLAST (1) F32T8 120-277V	1 piece/unit
118778	CENTIUM ELE BALLAST (2) F32T8 120-277V	2 piece/unit
118828	CENTIUM ELE BALLAST (1) F32T8 120-277V	1 piece/unit

Mécanique et boîtier

Order Code	Full Product Name	Boîtier
109108	CENTIUM ELE BALLAST (3) F32T8 120-277V	N
109116	CENTIUM ELE BALLAST (3) F32T8 120-277V	N
109132	CENTIUM ELE BALLAST (4) F32T8 120-277V	N
109140	CENTIUM ELE BALLAST (4) F32T8 120-277V	N
196865	CENTIUM ELE BALLAST (2) F32T8 120-277V	N

Order Code	Full Product Name	Boîtier
196873	CENTIUM ELE BALLAST (2) F32T8 120-277V	N
199471	CENTIUM ELE BALLAST (1) F32T8 120-277V	N
197756	CENTIUM ELE BALLAST (1) F32T8 120-277V	N
118778	CENTIUM ELE BALLAST (2) F32T8 120-277V	MC
118828	CENTIUM ELE BALLAST (1) F32T8 120-277V	MC

