

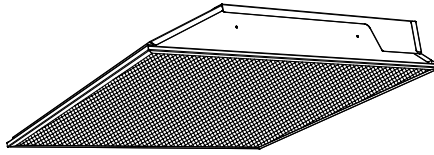
Day-Brite CFI

by Signify

Recessed

DayLED troffer 2x2

2300, 2700, 3400 or
3800 lumens



Project: _____
 Location: _____
 Cat.No: _____
 Type: _____
 Lamps: _____ Qty: _____
 Notes: _____

The Day-Brite / CFI DayLED troffer offers general lighting distribution excellent for ambient illumination. It features a sealed, maintenance free, low profile housing, along with a frameless design that maximizes its luminous aperture and provides a clean, attractive ceiling appearance.

Ordering guide

Example: 2LTG27L840-2-21-UNV-DIM

| Width | Family | Ceiling Type | Lumen Package | Color Temp. | Length | Lens | Voltage | Driver | Options |
|-------|-------------------|--------------|--|--|--------|---|--|---|---|
| 2 | LT | G | | — | 2 | — | — | — | |
| 2 2' | LT DayLED troffer | G Grid | 23L 2300 nominal delivered lumens 27L 2700 nominal delivered lumens 34L 3400 nominal delivered lumens 38L 3800 nominal delivered lumens | 840 80 CRI, 4000K 835 80 CRI, 3500K | 2 2' | 21 Pattern 12, .125" nominal 12 K-12, .156" nominal 19 K-19, .156" nominal See sheet 420-SR for other options | UNV Universal Voltage 120-277V 347 347V | DIM 0-10V dimming SDIM Step dimming to 40% input power | F1 3/8" flex, 3 wire 18 gauge 6' F2 3/8" flex, 4 wire 18 gauge 6' F1/D 3/8" twin flex, 3 wire 18 gauge 6' for dimmable luminaires F2/5W 3/8" single flex, 5 wire 18 gauge 6' for dimmable luminaires GLR Fusing, fast blow DSC Quick driver disconnect |

Accessories (order separately)

- **FMA22** 2x2' "F" mounting frame for NEMA "F" mounting



2LT DayLED troffer 2x2

2300, 2700, 3400 or 3800 lumens

Application

- High efficacy long life solid state lighting platform.
- General lighting distribution is excellent for ambient lighting.
- Lumen packages range from 2,300 to 3,800 lumens, providing flexibility to optimize light levels for a specific application.
- High CRI source provides excellent color rendering.
- LEDs are an excellent source for use with controls since frequent switching does not affect the life of the light source.
- Lighting power densities of 0.75 Watts/square foot or less are possible while maintaining recommended light levels.

Construction/Finish

- Lower housing includes smooth edges for safe, easy handling.

- Housing is multi-stage phosphate treated for maximum corrosion resistance and finish coat is high reflectance baked white enamel.
- Sealed housing prevents the entry of dirt and bugs into the luminaire which eliminates the need for internal cleaning and reduces maintenance.
- T-bar clips are included.
- Suitable for use in clean room application.

Electrical

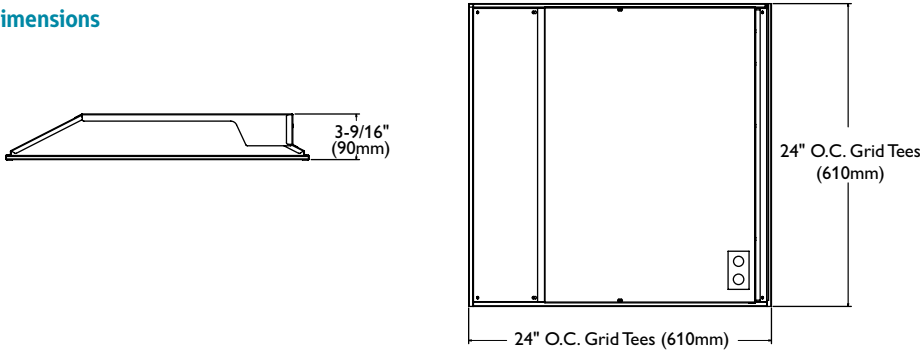
- Driver and LED boards are accessible from above. LED boards are individually replaceable if required.
- ETL listed to UL standards, suitable for damp locations.
- Five-year luminaire warranty including LED boards and driver.

- High efficiency LEDs have 50,000 hour rated life (defined as 70% lumen maintenance.)
- Combinations are available providing up to 93 delivered lumens per Watt.
- Rated for clean room use – meets ISO14644-1 Class 5 (equivalent to Federal Standard No. 209E Class 100).
- Listed for used in insulated ceilings (Type IC).

Enclosure

- Standard sealed configuration does not include a door frame since cleaning and relamping are not required.
- Frameless design maximizes luminous aperture and provides a clean appearance.
- A variety of lenses are available to tailor the luminaire to the application.
- Contact factory for applications requiring a door frame.

Dimensions



Energy Data

| Model | Initial Delivered Lumens at 25°C Ambient | Input Power | Lumens Per Watt |
|-----------------|--|-------------|-----------------|
| 2LTG23L840-2-21 | 2253 | 26W | 87LPW |
| 2LTG27L840-2-21 | 2665 | 30W | 89LPW |
| 2LTG34L840-2-21 | 3367 | 40W | 84LPW |
| 2LTG38L840-2-21 | 3795 | 46W | 82LPW |

| Fluorescent Configuration | Approx. Total Delivered Lumens | DayLED Equivalent* |
|---------------------------|--------------------------------|-------------------------------------|
| 2 lamp T8 3IU6 | 3,500 | 2LTG34L840 |
| 2 lamp T8 3IU1 | 3,900 | 2LTG38L840 |
| 3 lamp T8 3IU1 | 5,500 | n/a max. lumens would be 2LTG38L840 |
| 2 lamp T12 4OU6 | 2,800 | 2LTG27L840 |
| 3 lamp T12 4OU3 | 3,800 | 2LTG38L840 |

| Fluorescent Configuration | Approx. Total Delivered Lumens | DayLED Equivalent |
|---------------------------|--------------------------------|--------------------------------------|
| 2 lamp T8 17W | 2,000 | 2LTG23L840 |
| 3 lamp T8 17W | 2,850 | 2LTG27L840 |
| 4 lamp T8 17W | 3,650 | 2LTG34L840 |
| 2 lamp CF40 | 4,800 | n/a, max. lumens would be 2LTG38L840 |
| 3 lamp CF40 | 6,900 | n/a, max. lumens would be 2LTG38L840 |

*DayLED equivalent will provide similar delivered lumens and light levels. Analysis to determine appropriate light levels for the space is highly recommended.

2LT DayLED troffer 2x2

2300, 2700, 3400 or 3800 lumens

DayLED troffer 2x2, 2300 nominal delivered lumens, standard lens

LER – 87

| | | | | | | | | | | | | | | | | | |
|--|--------------------|------------|-----------|--------------|---|---------------|--------------------|--------------------------|------------|------------|--------------|-----|-----|--|--|--|--|
| Catalog No. 2LTG23L840-2-21 Test No. 29485 S/MH 1.2 Lamp Type 25WLED Lumens/Lamp 2253 Input Watts 26 Comparative yearly lighting energy cost per 1000 lumens – \$2.76 based on 3000 hrs. and \$.08 pwr KWH. The photometric results were obtained in the Day-Brite laboratory which is NVLAP accredited by the National Institute of Standards and Technology. Photometric values based on test performed in compliance with LM-79. | Candlepower | | | | Light Distribution | | | Average Luminance | | | | | | | | | |
| | Angle | End | 45 | Cross | Degrees | Lumens | % Luminaire | Angle | End | 45° | Cross | | | | | | |
| | 0 | 993 | 993 | 993 | 0-30 | 755 | 33.5 | 45 | 1806 | 1730 | 1901 | | | | | | |
| | 5 | 988 | 985 | 989 | 0-40 | 1208 | 53.6 | 55 | 1357 | 1270 | 1393 | | | | | | |
| | 10 | 972 | 967 | 976 | 0-60 | 1929 | 85.6 | 65 | 949 | 766 | 939 | | | | | | |
| | 15 | 945 | 944 | 953 | 0-90 | 2253 | 100.0 | 75 | 688 | 526 | 815 | | | | | | |
| | 20 | 905 | 908 | 918 | | | | 85 | 445 | 286 | 547 | | | | | | |
| | 25 | 856 | 856 | 870 | Coefficients of Utilization | | | | | | | | | | | | |
| | 30 | 792 | 794 | 814 | EFFECTIVE FLOOR CAVITY REFLECTANCE 20 PER (pfc=0.20) | | | | | | | | | | | | |
| | 35 | 719 | 723 | 744 | pcc | 80 | | | 70 | | | 50 | | | | | |
| | 40 | 633 | 635 | 657 | pw | 70 | 50 | 30 | 70 | 50 | 30 | 50 | 30 | | | | |
| | 45 | 534 | 535 | 562 | RCR | | | | | | | | | | | | |
| | 50 | 434 | 439 | 457 | 0 | 118 | 118 | 118 | 115 | 115 | 115 | 111 | 111 | | | | |
| | 55 | 341 | 339 | 350 | 1 | 110 | 105 | 102 | 107 | 103 | 100 | 98 | 95 | | | | |
| | 60 | 259 | 242 | 257 | 2 | 101 | 93 | 86 | 97 | 91 | 85 | 88 | 82 | | | | |
| | 65 | 189 | 166 | 187 | 3 | 93 | 82 | 76 | 90 | 81 | 75 | 79 | 72 | | | | |
| | 70 | 136 | 111 | 144 | 4 | 84 | 73 | 66 | 82 | 72 | 65 | 70 | 64 | | | | |
| 75 | 97 | 84 | 115 | 5 | 79 | 67 | 58 | 77 | 66 | 57 | 64 | 56 | | | | | |
| 80 | 68 | 62 | 86 | 6 | 72 | 60 | 52 | 70 | 59 | 52 | 57 | 51 | | | | | |
| 85 | 35 | 28 | 43 | 7 | 68 | 55 | 46 | 67 | 55 | 46 | 53 | 46 | | | | | |
| | | | | 8 | 64 | 51 | 42 | 61 | 50 | 41 | 48 | 41 | | | | | |
| | | | | 9 | 59 | 46 | 39 | 57 | 46 | 39 | 45 | 38 | | | | | |
| | | | | 10 | 56 | 42 | 35 | 55 | 42 | 35 | 41 | 34 | | | | | |

DayLED troffer 2x2, 2700 nominal delivered lumens, standard lens

LER – 89

| | | | | | | | | | | | | | | | | | |
|--|--------------------|------------|-----------|--------------|---|---------------|--------------------|--------------------------|------------|------------|--------------|-----|-----|--|--|--|--|
| Catalog No. 2LTG27L840-2-21 Test No. 29479 S/MH 1.2 Lamp Type 30WLED Lumens/Lamp 2665 Input Watts 30 Comparative yearly lighting energy cost per 1000 lumens – \$2.70 based on 3000 hrs. and \$.08 pwr KWH. The photometric results were obtained in the Day-Brite laboratory which is NVLAP accredited by the National Institute of Standards and Technology. Photometric values based on test performed in compliance with LM-79. | Candlepower | | | | Light Distribution | | | Average Luminance | | | | | | | | | |
| | Angle | End | 45 | Cross | Degrees | Lumens | % Luminaire | Angle | End | 45° | Cross | | | | | | |
| | 0 | 1170 | 1170 | 1170 | 0-30 | 829 | 33.5 | 45 | 2111 | 2054 | 2250 | | | | | | |
| | 5 | 1166 | 1164 | 1167 | 0-40 | 1426 | 53.5 | 55 | 1568 | 1521 | 1704 | | | | | | |
| | 10 | 1145 | 1144 | 1152 | 0-60 | 2283 | 85.7 | 65 | 1110 | 933 | 1145 | | | | | | |
| | 15 | 1111 | 1115 | 1125 | 0-90 | 2665 | 100.0 | 75 | 943 | 558 | 844 | | | | | | |
| | 20 | 1065 | 1071 | 1088 | | | | 85 | 623 | 409 | 508 | | | | | | |
| | 25 | 998 | 1013 | 1037 | Coefficients of Utilization | | | | | | | | | | | | |
| | 30 | 927 | 939 | 967 | EFFECTIVE FLOOR CAVITY REFLECTANCE 20 PER (pfc=0.20) | | | | | | | | | | | | |
| | 35 | 841 | 851 | 887 | pcc | 80 | | | 70 | | | 50 | | | | | |
| | 40 | 735 | 744 | 784 | pw | 70 | 50 | 30 | 70 | 50 | 30 | 50 | 30 | | | | |
| | 45 | 624 | 635 | 665 | RCR | | | | | | | | | | | | |
| | 50 | 510 | 523 | 550 | 0 | 118 | 118 | 118 | 115 | 115 | 115 | 111 | 111 | | | | |
| | 55 | 394 | 406 | 428 | 1 | 110 | 105 | 102 | 107 | 103 | 100 | 98 | 95 | | | | |
| | 60 | 296 | 299 | 316 | 2 | 101 | 93 | 86 | 97 | 91 | 85 | 88 | 82 | | | | |
| | 65 | 221 | 202 | 228 | 3 | 93 | 82 | 76 | 90 | 81 | 75 | 79 | 72 | | | | |
| | 70 | 169 | 133 | 163 | 4 | 84 | 73 | 66 | 82 | 72 | 65 | 70 | 64 | | | | |
| 75 | 133 | 89 | 119 | 5 | 79 | 67 | 58 | 77 | 66 | 57 | 64 | 56 | | | | | |
| 80 | 97 | 66 | 80 | 6 | 72 | 60 | 52 | 70 | 59 | 52 | 57 | 51 | | | | | |
| 85 | 49 | 40 | 40 | 7 | 68 | 55 | 46 | 67 | 55 | 46 | 53 | 46 | | | | | |
| | | | | 8 | 64 | 51 | 42 | 61 | 50 | 41 | 48 | 41 | | | | | |
| | | | | 9 | 59 | 46 | 39 | 57 | 46 | 39 | 45 | 38 | | | | | |
| | | | | 10 | 56 | 42 | 35 | 55 | 42 | 35 | 41 | 34 | | | | | |

2LT DayLED troffer 2x2

2300, 2700, 3400 or 3800 lumens

DayLED troffer 2x2, 3400 nominal delivered lumens, standard lens

LER – 84

| | | | | | | | | | | | |
|--|--|--|--|---|---|---|---|--|---|--|---|
| Catalog No. 2LTG34L840-2-21 Test No. 29481 S/MH 1.2 Lamp Type 38WLED Lumens/Lamp 3367 Input Watts 40 Comparative yearly lighting energy cost per 1000 lumens – \$2.86 based on 3000 hrs. and \$.08 pwr KWH. The photometric results were obtained in the Day-Brite laboratory which is NVLAP accredited by the National Institute of Standards and Technology. Photometric values based on test performed in compliance with LM-79. | Candlepower | | | | Light Distribution | | | Average Luminance | | | |
| | Angle 0 5 10 15 20 25 30 35 40 45 50 55 60 65 70 75 80 85 | End 1484 1475 1450 1412 1349 1277 1183 1074 938 793 656 521 392 284 204 142 98 51 | 45 1484 1474 1448 1428 1377 1282 1188 1116 987 840 684 516 379 283 217 172 127 66 | Cross 1484 1482 1463 1428 1377 1301 1215 1116 987 840 684 516 379 283 217 172 127 66 | Degrees 0-30 0-40 0-60 0-90 | Lumens 1130 1805 2887 3368 | % Luminaire 33.5 53.6 85.7 100.0 | Angle 45 55 65 75 85 | End 2683 2074 1426 1007 648 | 45° 2597 1899 1164 702 511 | Cross 2842 2054 1421 1219 839 |
| Coefficients of Utilization | | | | | EFFECTIVE FLOOR CAVITY REFLECTANCE 20 PER (pfc=0.20) | | | | | | |
| pcc 80 70 50 | | | | | pw 70 50 30 70 50 30 50 30 | | | | | | |
| RCR | | | | | 0 118 118 118 115 115 115 111 111 1 110 105 102 107 103 100 98 95 2 101 93 86 97 92 85 88 82 3 93 82 76 90 81 75 79 72 4 85 73 66 82 72 66 70 64 5 79 67 58 77 66 57 64 56 6 72 60 52 71 59 52 57 51 7 68 55 46 67 55 46 53 46 8 64 51 42 61 50 41 48 41 9 59 46 39 57 46 39 45 38 10 56 42 35 55 42 35 41 34 | | | | | | |

DayLED troffer 2x2, 3800 nominal delivered lumens, standard lens

LER – 82

| | | | | | | | | | | | |
|--|--|--|---|--|---|---|---|--|---|--|---|
| Catalog No. 2LTG38L840-2-21 Test No. 29483 S/MH 1.2 Lamp Type 45WLED Lumens/Lamp 3795 Input Watts 46 Comparative yearly lighting energy cost per 1000 lumens – \$2.89 based on 3000 hrs. and \$.08 pwr KWH. The photometric results were obtained in the Day-Brite laboratory which is NVLAP accredited by the National Institute of Standards and Technology. Photometric values based on test performed in compliance with LM-79. | Candlepower | | | | Light Distribution | | | Average Luminance | | | |
| | Angle 0 5 10 15 20 25 30 35 40 45 50 55 60 65 70 75 80 85 | End 1664 1660 1632 1584 1513 1426 1316 1198 1053 886 718 566 422 312 242 187 136 72 | 45 1664 1657 1636 1596 1545 1471 1375 1261 1116 947 785 603 454 329 233 168 115 64 | Cross 1664 1657 1636 1596 1545 1471 1375 1261 1116 947 785 603 454 329 233 168 115 64 | Degrees 0-30 0-40 0-60 0-90 | Lumens 1267 2026 3247 3796 | % Luminaire 33.4 53.4 85.5 100.0 | Angle 45 55 65 75 85 | End 2997 2253 1567 1326 915 | 45° 2917 2180 1353 833 603 | Cross 3203 2400 1652 1191 814 |
| Coefficients of Utilization | | | | | EFFECTIVE FLOOR CAVITY REFLECTANCE 20 PER (pfc=0.20) | | | | | | |
| pcc 80 70 50 | | | | | pw 70 50 30 70 50 30 50 30 | | | | | | |
| RCR | | | | | 0 118 118 118 115 115 115 111 111 1 110 105 102 107 103 100 98 95 2 101 93 86 97 91 85 88 82 3 93 82 75 90 81 73 79 72 4 84 73 66 82 72 65 70 64 5 79 67 58 77 66 57 64 56 6 72 60 52 70 59 52 57 51 7 68 55 46 66 55 46 53 46 8 64 51 42 61 50 41 48 41 9 59 46 39 57 46 39 45 38 10 56 42 35 55 42 34 41 34 | | | | | | |

