

Day-Brite

CFL

by Signify

Linear Surface

SlimLux

Configuration Guide



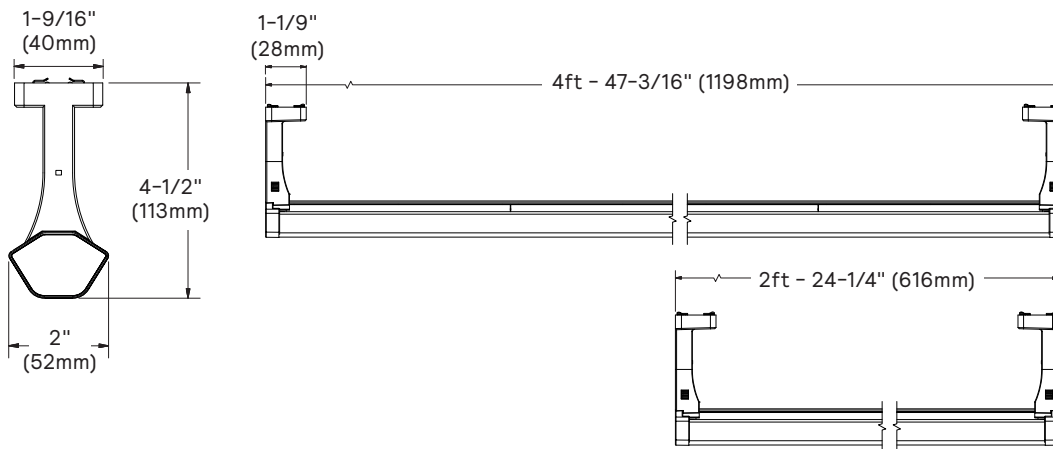
SlimLux is a luminaire comprised of two primary products:

Lightbar – installed below the ceiling, this is the product that is visible from below, and produces light.

Driver Pod – installed above the ceiling, this is the product that mains voltage is connected to, and provides low voltage to the lightbar.

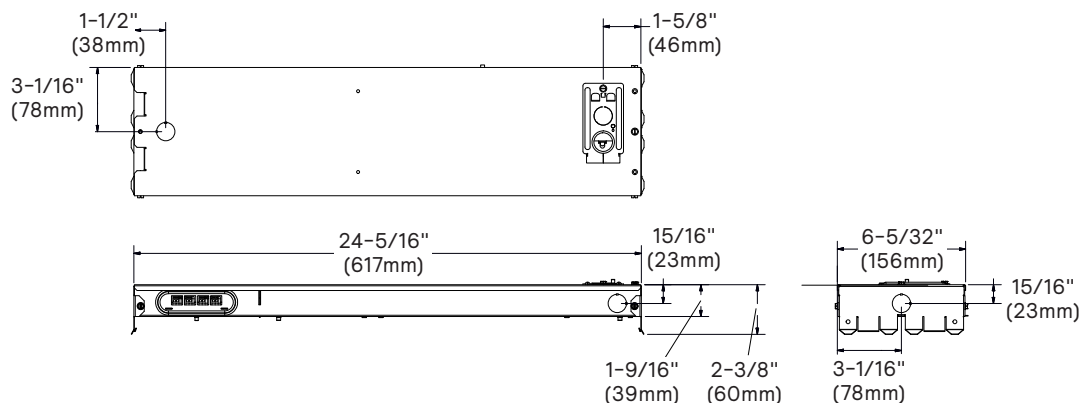
Module Dimensions:

SlimLux is available in nominal 2' (24-1/4", 616mm) and 4' (47-3/16", 1198mm) lengths, and must be directly mounted to main runner NEMA G 15/16" wide t-bar.



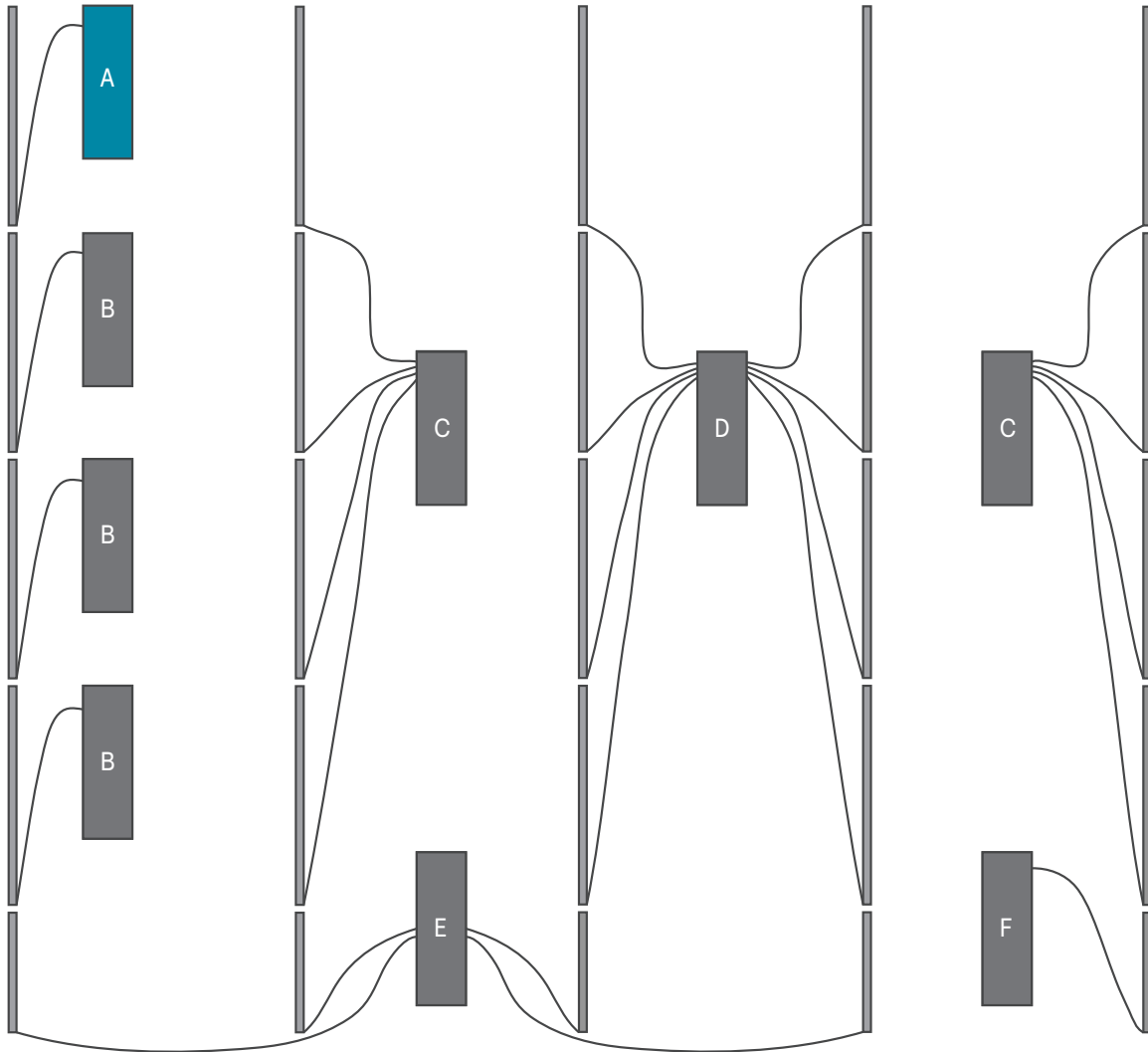
Driver Pod Dimensions:

SlimLux driver pod dimensions are the same regardless of the configuration selected. Driver pods are mounted directly to t-bar above the ceiling.

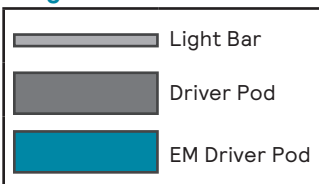


SlimLux Configuration Guide

Application Examples



Legend



Scenario A

1x 4' Lightbar with 1x SL04S EM Driver pod

Scenario B

3x 4' Lightbars with 3x SL04S Driver Pods

Scenario C

4x 4' Lightbars with 1x SL04Q Driver Pod

Scenario D

8x 4' Lightbars with 1x SL04M Driver Pod

Scenario E

4x 2' Lightbars with 1x SL02Q Driver Pod

Scenario F

1x 2' Lightbars with 1x SL02S Driver Pod

Notes

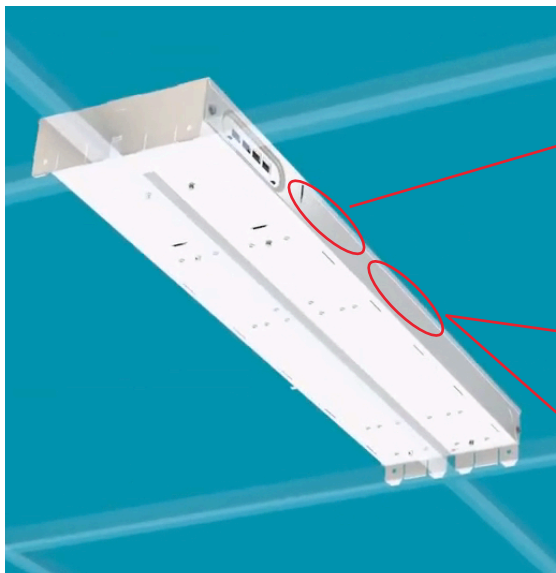
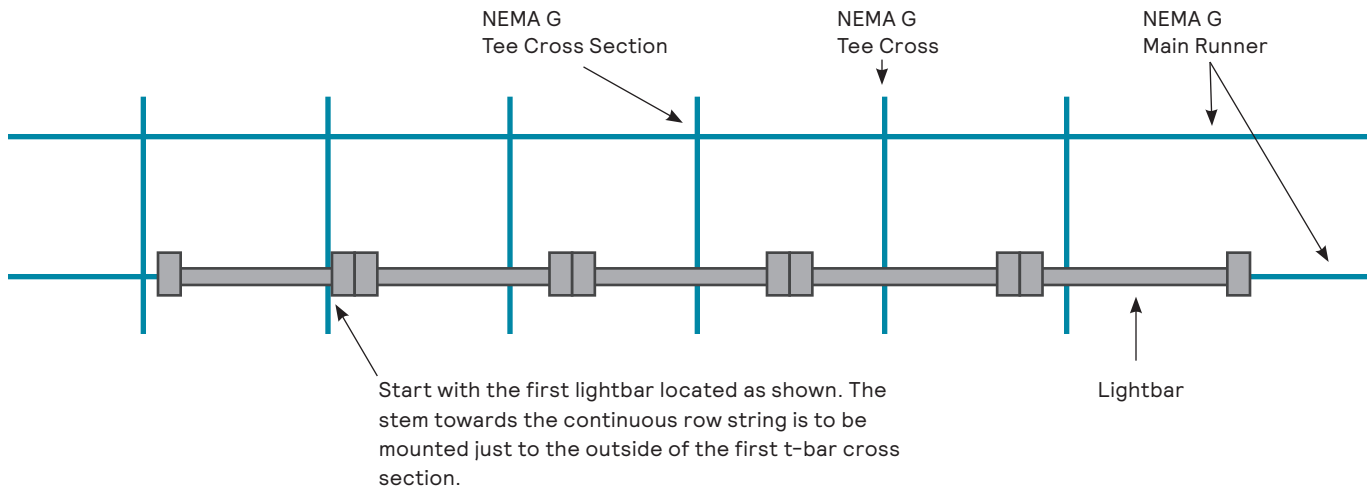
- Each individual lightbar must be wired back to a driver pod.
- All ports on the driver pod must be connected to individual lightbars.
- Do not power the driver pods until all ports are connected to individual lightbars.
- Lightbars may be installed a maximum of 28ft (8.5m) from the driver pod.
- Driver pods must be ordered according to the lightbar length they are installed with (e.g. 4' driver pod with 4' lightbars)

SlimLux Configuration Guide

Installation Guidelines

Continuous Row Guidelines:

All lightbars must be installed on the main t-bar runners. Up to 30 4' lightbars, or up to 15 2' lightbars may be continuous row mounted without gaps. Additional lightbars in the row require a 2-3/4" gap between to account for a t-bar cross section.



CAUTION
DO NOT ENERGIZE UNTIL ALL PORTS ON THE DRIVER PODS ARE CONNECTED TO INDIVIDUAL LIGHTBARS

CAUTION
4' LIGHTBARS MAY ONLY BE INSTALLED WITH 4' DRIVER PODS

CAUTION
2' LIGHTBARS MAY ONLY BE INSTALLED WITH 2' DRIVER PODS

Notes

- Labels shown left will be factory affixed next to each bank of secondary ports on the quad (Q) and octo (M) driver pods, and on the end for the single (S) driver pod.

The information presented in this document is not intended as any commercial offer and does not form part of any quotation or contract.

