

The Gardco GSSS Straight Square Steel pole consists of a one-piece high tensile carbon steel tube welded and secured to the carbon steel base plate providing excellent strength and integrity. The poles are finished with an electrostatically applied, thermally cured polyester powdercoat. All poles include base cover, hand hole, ground lug and top cap. Anchor bolts are ordered as a separate accessory.

Project: _____
 Location: _____
 Cat.No: _____
 Type: _____
 Lamps: _____ Qty: _____
 Notes: _____

Ordering Guide

example: GSSS-411-20-2@180-DT5-BK(G)

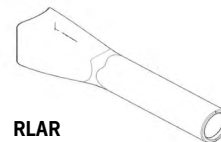
Prefix	Pole Shaft	Drilling Configuration ¹	Luminaire Drill Pattern ²	Options	Finish
GSSS	Gardco Straight Square Steel	1 Single Luminaire 2@180 Two Luminaires @ 180° 2@90 Two Luminaires @ 90° 3@90 Three Luminaires @ 90° 4@90 Four Luminaires @ 90° T2 2 3/8" OD Tenon T3 3" OD Tenon	DT1 Drill Template 1 DT2 Drill Template 2 DT3 Drill Template 3 DT4 Drill Template 4 DT5 Drill Template 5 DT6 Drill Template 6 DTX Custom Drill Template (must specify and supply template)	G Galvanized Finished (specify color if powder over galvanized is required) VPA Vandalproof Screws DR Duplex Receptacle (120V only) GFI DR with Ground Fault Interrupter (120V only) VDA Vibration Dampener	Standard Finishes BK(G) Gardco Black Textured WH(G) Gardco White Textured BZ(G) Gardco Bronze Textured DGY Gardco Dark Grey Textured MGY Gardco Medium Grey Textured GY3 Light Grey, Smooth NF Not Finished (only with Galvanized Option)
					Customer Specified SC Special Color: Specify optional color or RAL (ex: RAL7024)

- See Drilling Configurations on below
- See Luminaire Drill Patterns on Page 2

Accessories

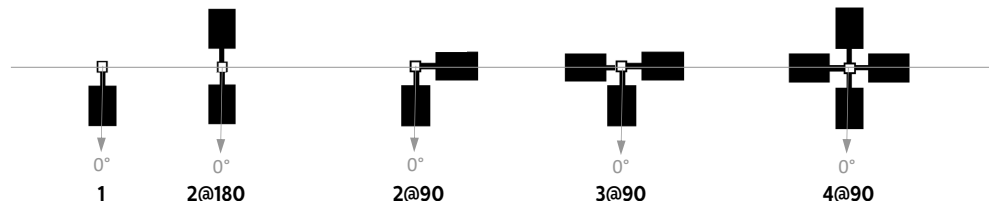
12NC	Part No.	Description
912400710142	3/4x27-8 1/2-DEC	Non-Galvanized anchor bolts, 3/4 x 27 - 8 1/2 (use with 411 poles)
912400710178	3/4X27-G-8 1/2-DEC	Galvanized anchor bolts, 3/4 x 27 - 8 1/2 (use with 411 poles)
912400710313	1X36-12 1/2-DEC	Non-Galvanized anchor bolts, 1 x 36 - 12 1/2 (use with 511 poles)
912400710263	1X36-G-12 1/2-DEC	Galvanized anchor bolts, 1 x 36 - 12 1/2 (use with 511 poles)

Part No.	Description
RLAR-1A-SQ4+ -(finish)	Cast Aluminum mounting arm, 15" long with DT6 drill pattern. (order 1 per luminaire). For use with Lumec Roadway luminaires. Specify finish to match pole.



Drilling Configuration¹

Code	Description
1	Single Luminaire
2@180	Two Luminaires @ 180
2@90	Two Luminaires @ 90
3@90	Three Luminaires @ 90
4@90	Four Luminaires @ 90
T2	2 3/8" OD Tenon
T3	3" OD Tenon



Ref. access door at 0° for all

Poles Straight Square Steel

Pole Data

Ordering Code	Pole Specs				Max Wind Loading				Anchor Bolts
	Pole Size (in)	Wall Thickness (in)	Height (ft)	Weight (lbs/kg)	EPA @ 300 Pa = 80 mph (ft ²)	EPA @ 400 Pa = 90 mph (ft ²)	EPA @ 500 Pa = 100 mph (ft ²)	EPA @ 800 Pa = 130 mph (ft ²)	Std Anchor Bolts
GSSS-411-10	4	0.12	10	76 / 34	33.6	24.6	19.2	11.0	3/4 x 27 - 8 1/2
GSSS-411-12	4	0.12	12	88 / 40	27.6	19.9	15.3	8.39	3/4 x 27 - 8 1/2
GSSS-411-14	4	0.12	14	101 / 46	22.9	16.2	12.2	6.20	3/4 x 27 - 8 1/2
GSSS-411-15	4	0.12	15	107 / 49	21.0	14.7	11.0	5.39	3/4 x 27 - 8 1/2
GSSS-411-16	4	0.12	16	114 / 52	19.2	13.3	9.85	4.52	3/4 x 27 - 8 1/2
GSSS-411-18	4	0.12	18	126 / 57	16.2	10.9	7.80	3.06	3/4 x 27 - 8 1/2
GSSS-411-20	4	0.12	20	139/63	13.60	8.90	6.04	1.75	3/4 x 27 - 8 1/2
GSSS-411-25	4	0.12	25	170/77	7.64	4.02	1.86	N/A	3/4 x 27 - 8 1/2
GSSS-511-25	5	0.12	25	223/101	15.70	9.64	6.01	0.56	1 x 36 - 12 1/2
GSSS-511-30	5	0.12	30	263/119	8.74	3.99	1.13	N/A	1 x 36 - 12 1/2

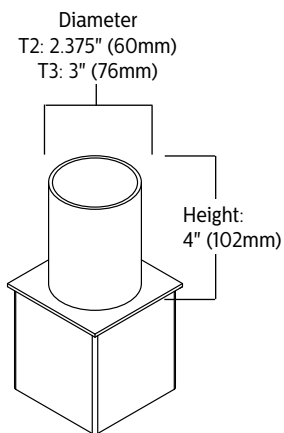
- Warning:** Additional wind loading, in terms of EPA, from banners, cameras, floodlights and other accessories attached to the pole, must be added to the luminaire(s) EPA before selecting the pole with the appropriate wind load capability.
- Factory supplied template must be used when setting anchor bolts. Gardco will not honor any claim for incorrect anchorage placement resulting from failure to use factory supplied templates.

Note: Above EPA (Effective Projected Area) rating is in accordance with CSA-S6-14 standard, with 25-year return period, with a 50 pound load (22.7 kg) placed at 1 foot (305mm) above its center.

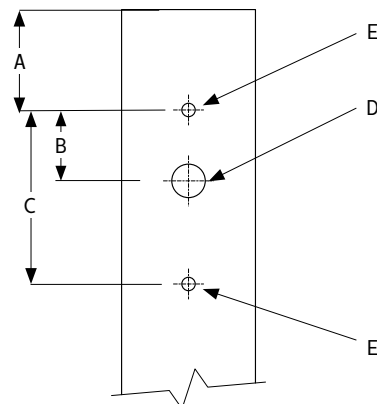
Luminaire Drill Pattern

Code	Description	Luminaires	Pole Drilling				
			A To Pole Top	B	C Full Extent	D Wireway Hole	E Bolt Hole
DT1	Drill Template 1	Gardco SlenderForm Round SFRA	2.25" (57mm)	1.5" (38.1mm)	3" (76mm)	0.875" (22.2mm)	0.40" (10.2mm)
DT2	Drill Template 2	Gardco SlenderForm Square - SFA Gardco Gullwing - GL13, GL18 Gardco Form Ten - EH14L, EH19L, CAL17, CAL22, MAL17, MAL22	2.25" (57mm)	2.17" (55mm)	3.84" (98mm)	0.875" (22.2mm)	0.39" (9.9mm)
DT3	Drill Template 3	Gardco PowerForm PFAS	2.25" (57mm)	1.75" (44mm)	3.84" (98mm)	0.875" (22.2mm)	0.41" (10.4mm)
DT4	Drill Template 4	Gen1 Keene AL150-G1, AL200-G1	2.5" (64mm)	1.7" (43mm)	3.5" (89mm)	0.875" (22.2mm)	0.41" (10.4mm)
DT5	Drill Template 5	Gardco EcoForm Gen2 - ECF-S, ECF-L Gardco PureForm Gen2 - P15, P20, P26, P34	3" (76mm)	1" (25mm)	3" (76mm)	1" (25mm)	0.41" (10.4mm)
DT6	Drill Template 6	Hole pattern drilled for the following: Gen2 Keene AL70-G2 and AL150-G2, or to attach RLAR bracket accessory, suitable for use with: Lumec Capella CPLM, CPLS Lumec RoadStar GPLM, GPLS Lumec RoadFocus RFS, RFM, RFL Lumec RoadView RVM, RVS Lumec MiniView SVS Lumec StreetView SVM	2.5" (64mm)	1" (25mm)	2" (50mm)	0.875" (22mm)	0.5" (12.7mm)

Tenon Dimensions

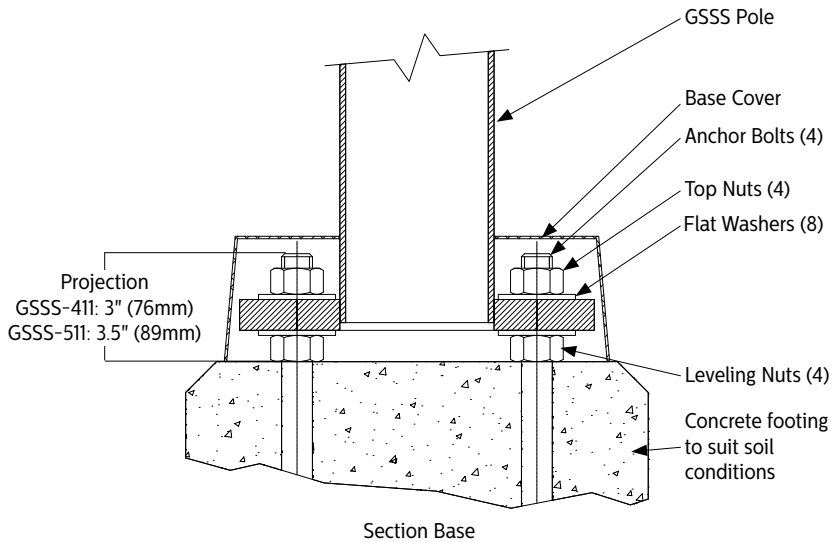
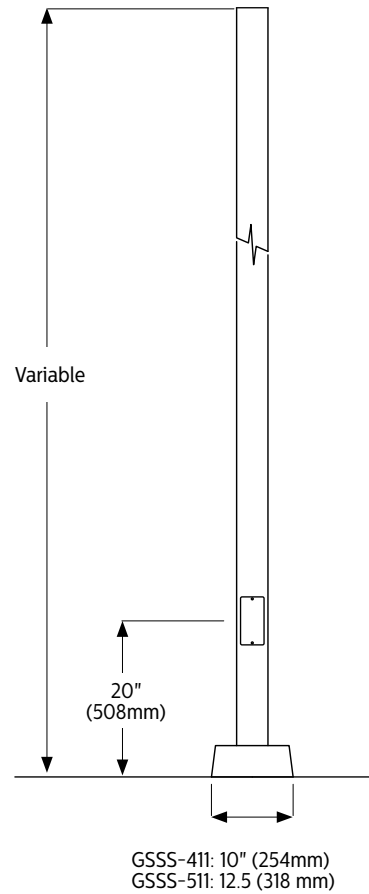
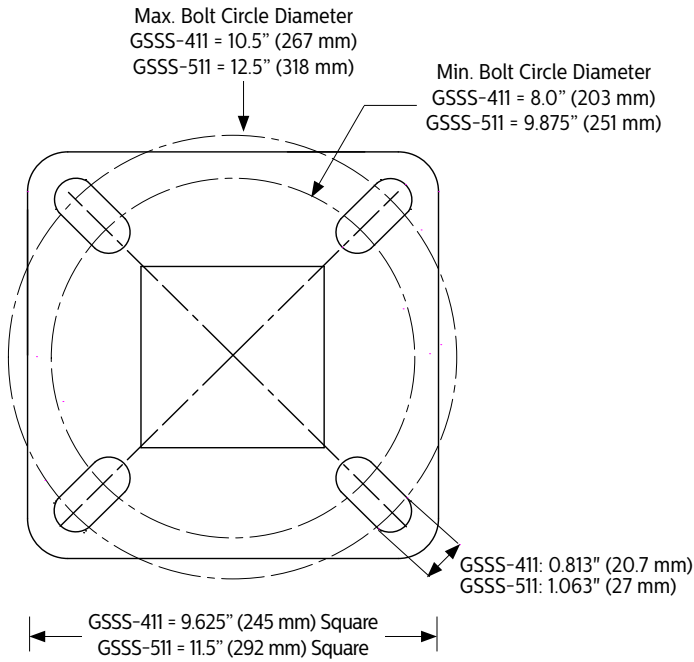


Pole Top Drilling



Poles Straight Square Steel

Dimensions



* Anchor Bolt Lock Washers are not normally required and are not included in standard anchor bolt sets. They are available upon request at additional cost.

** Grouting should include a drainage slot or tube (by others) to permit water to drain from the base of the pole. Failure to provide drainage may weaken the pole base structure over time and may result in pole base failure, for which Gardco is not responsible.

NOTE: Factory supplied template must be used when setting anchor bolts. Gardco will not honor any claim for incorrect anchorage placement from failure to use factory supplied templates.

Poles Straight Square Steel

Specifications

POLE SHAFT

The pole shaft is fabricated from a single-piece of 11 ga (0.1196") high tensile carbon steel. The formed steel plate is longitudinally welded providing minimum yield strength of 50 ksi.

ANCHOR BASE

The pole anchor base is fabricated from 44W structural quality carbon steel with a minimum yield strength of 44 ksi. The base plate is circumferentially welded on both top and bottom.

ANCHOR BOLTS

Anchor bolts are fabricated from a commercial quality hot rolled carbon steel bar that meets or exceeds a minimum guaranteed yield strength of 55 ksi. Bolts have an "L" bend on one end and threaded on the opposite end. Anchor bolts are galvanized a minimum of 7.5" on the threaded end. Four (4) properly sized bolts, each furnished with two (2) regular hex nuts and two (2) flat washers, are provided per pole (priced and ordered separately), unless otherwise specified.

BASE COVER

A two-piece base cover completely conceals the entire base plate and anchorage.

HAND HOLE

The reinforced hand hole has a nominal rectangular 2" X 4.5" inside opening in the pole shaft. Included is a cover plate with attachment screws. The hand hole is located 20" above the base and 0° clockwise with respect to the luminaire arm when viewed from the top of the pole for one arm. For two arms the hand hole is located directly under one arm.

POLE TOP CAP

Each pole assembly is provided with a removable pole top cap.

FINISH

Poles are available with Gardco's standard textured color finishes - Black, White, Bronze, Dark Grey, Medium Grey, and Lumec GY3 for a match with roadway luminaire finishes. Optional Galvanized finish and custom colors also available.

General Pole Information

DESIGN

The poles as charted are designed to withstand dead loads and predicted dynamic loads developed by variable wind pressure with an additional 2.5 gust factor under the following conditions:

The charted weights include luminaire(s) and/or mounting bracket(s).

Poles to be located in areas of known abnormal conditions may require special consideration. For example: coastal areas, airports and areas of special winds.

Poles are designed for ground mounted applications. Poles mounted on structures (such

as buildings and bridges) may also necessitate special consideration requiring Gardco's recommendation.

Height correction factors and drag coefficients are applied to the entire structure. An appropriate safety factor is maintained based on the minimum yield strength of the material incorporated in the pole.

WARNING

This design information is intended as a general guideline only. The customer is solely responsible for proper selection of pole, luminaire, accessory and foundation under the given

site conditions and intended usage. The addition of any items to the pole, in addition to the luminaire, will dramatically impact the EPA load on that pole. It is strongly recommended that a qualified professional be consulted to analyze the loads given the user's specific needs to ensure proper selection of the pole, luminaire, accessories, and foundation. Gardco assumes no responsibility for such proper analysis or product selections. Failure to insure proper site analysis, pole selection, loads and installation can result in pole failure, leading to serious injury or property damage.

WARRANTY

Gardco GSSS series pole is covered by a 5 year structural and finish warranty.

