



Lumec **Square Lantern** LED post top luminaires draw on the designs of yesteryear in order to evoke a feeling of harmony and warmth in any project. This series is another example of how Lumec melds feelings of old-time luminaires with modern lighting techniques and technology. It can complement many settings thanks to its two sizes and its internal components assure long life, reliability, and durability. The blend of form and function makes the **Square Lantern** luminaires an excellent choice for older neighborhoods or contemporary environments.

Project: _____
 Location: _____
 Cat.No: _____
 Type: _____
 Lamps: _____ Qty: _____
 Notes: _____

Ordering guide

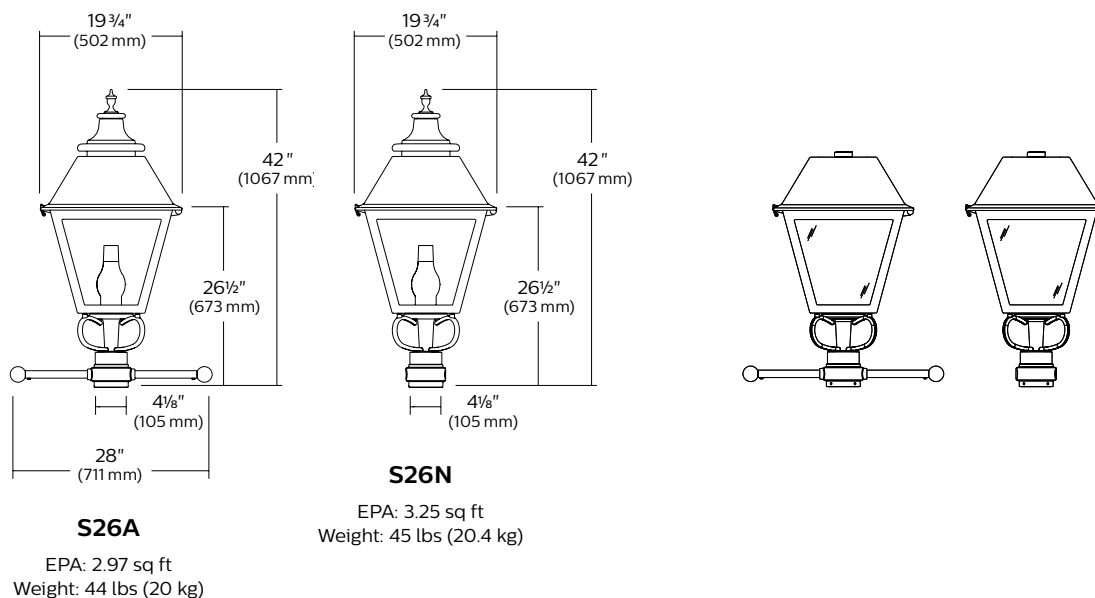
example: S26A-72W32LED4K-G2-ACDR-C-LE3-120-DMG-HS-GN8TX

Series	LED module	Gen.	Globe material	Globe finish	Optical system	Voltage	Driver options	Luminaire options	Poles / Brackets	Finish
		G2								
S26A	3000K	G2	ACDR	C	LE2	120	AST³	HS	Consult with signify.com/outdoorluminaires for details and the complete line of Signify poles and brackets.	Textured
S26N	35W32LED3K 55W32LED3K 55W48LED3K 72W32LED3K 80W48LED3K 108W48LED3K 4000K 35W32LED4K 55W32LED4K 55W48LED4K 72W32LED4K 80W48LED4K 108W48LED4K	Gen2	Acrylic Globe PC Poly-carbonate	Clear Globe CS¹ Satin Clear Globe	Type II (ASYM) LE3 Type III (ASYM) LE4 Type IV (ASYM) LE5² Type V (SYM)	208 240 277 347 480	Pre-set driver for progressive start-up CDMGE25³ (2) 8 hrs. 25% reduction CDMGE50³ (2) 8 hrs. 50% reduction CDMGE75³ (2) 8 hrs. 75% reduction CDMGM25³ (2) 6 hrs. 25% reduction CDMGM50³ (2) 6 hrs. 50% reduction CDMGM75³ (2) 6 hrs. 75% reduction CDMGS25³ (2) 4 hrs. 25% reduction CDMGS50³ (2) 4 hrs. 50% reduction CDMGS75³ (2) 4 hrs. 75% reduction WC Without Cupola CLO³ Pre-set driver to manage lumen depreciation DMG 0-10V OTL³ Pre-set driver to signal end of life of the lamp SRD¹ Sensor ready driver (standard configuration) SRD1¹ Sensor ready driver (alternate configuration)	House Side Shield PH7⁴ Photoelectric cell bottom type RCD7⁵ Receptacle 7-pin SP2 20kV/20kA surge protector TN2.875C 2 7/8" dia. Tenon adaptor TN3 3" dia. Tenon adaptor TN3.5 3 1/2" dia. Tenon adaptor		BE2TX Midnight Blue BE6TX Ocean Blue BE8TX Royal Blue BG2TX Sandstone BKTX Black BRTX Bronze GN4TX Blue Green GN6TX Forest Green GN8TX Dark Forest Green GNTX Green GY3TX Medium Grey RD2TX Burgundy RD4TX Scarlet WHTX White Other GR Gray Sandtex NP Natural Aluminum TG Hammetone Gold

1. Only available in Polycarbonate.
 2. Not available with HS option.
 3. Not available 347-480 volt.
 4. Not available with WC option.
 5. If RCD7 is required you need to select WC without cupola. The RCD7 is located on top of the roof in place of the cupola for use with a control node.

S26A-S26N Square Lantern LED Post Top Urban Luminaire

Dimensions



LED Wattage and Lumen Values: for S26A / S26N with Clear globe

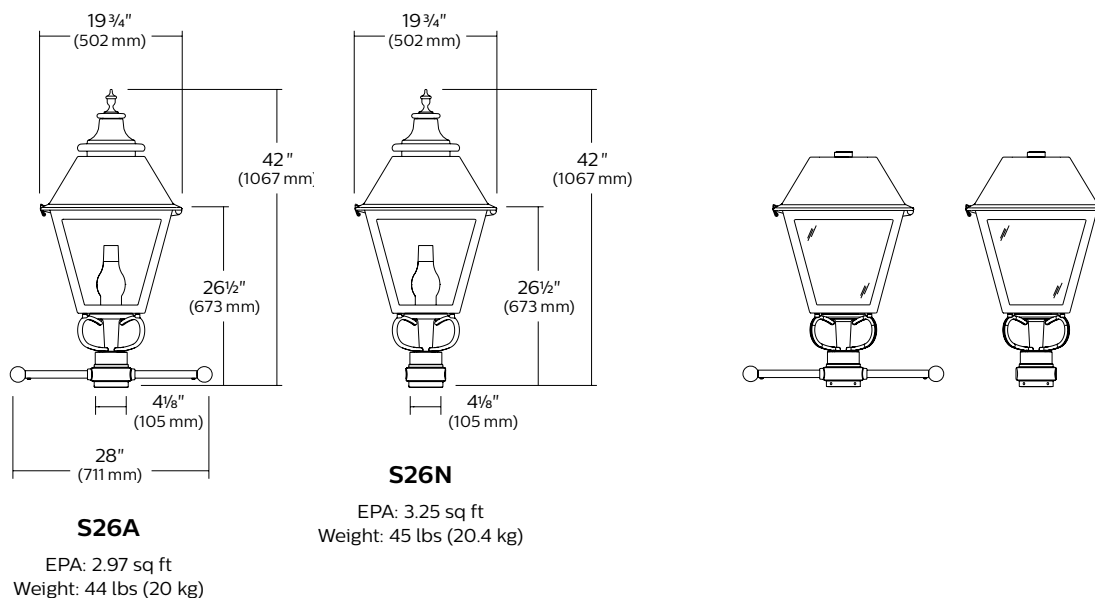
Ordering Code: Clear Globe (3000K)	Total LEDs	LED current (mA)	Average System Wattage ¹ (W)	LE2			LE3			LE4			LE5		
				Lumen Output ²	Efficacy (LPW)	BUG Rating	Lumen Output ²	Efficacy (LPW)	BUG Rating	Lumen Output ²	Efficacy (LPW)	BUG Rating	Lumen Output ²	Efficacy (LPW)	BUG Rating
35W32LED3K-G2-C	32	350	37	2892	78	B1-U2-G1	2880	78	B1-U2-G1	2813	76	B1-U2-G1	2888	78	B2-U3-G1
55W32LED3K-G2-C	32	530	54	4149	77	B1-U3-G1	4131	77	B1-U3-G1	4034	75	B1-U3-G1	4143	77	B3-U3-G1
72W32LED3K-G2-C	32	700	73	5232	72	B1-U3-G1	5210	71	B1-U3-G1	5088	70	B1-U3-G2	5225	72	B3-U3-G1
55W48LED3K-G2-C	48	350	55	4338	79	B1-U3-G1	4320	78	B1-U3-G1	4219	77	B1-U3-G1	4332	79	B3-U3-G1
80W48LED3K-G2-C	48	530	81	6223	77	B1-U3-G1	6197	77	B1-U3-G2	6051	75	B1-U3-G2	6214	77	B3-U3-G1
108W48LED3K-G2-C	48	700	106	7848	74	B2-U3-G2	7816	74	B2-U3-G2	7632	72	B1-U3-G2	7837	74	B3-U3-G2

Ordering Code: Clear Globe (4000K)	Total LEDs	LED current (mA)	Average System Wattage ¹ (W)	LE2			LE3			LE4			LE5		
				Lumen Output ²	Efficacy (LPW)	BUG Rating	Lumen Output ²	Efficacy (LPW)	BUG Rating	Lumen Output ²	Efficacy (LPW)	BUG Rating	Lumen Output ²	Efficacy (LPW)	BUG Rating
35W32LED4K-G2-C	32	350	37	3210	87	B1-U2-G1	3197	86	B1-U2-G1	3122	84	B1-U2-G1	3206	87	B2-U3-G1
55W32LED4K-G2-C	32	530	54	4605	85	B1-U3-G1	4586	85	B1-U3-G1	4478	83	B1-U3-G1	4598	85	B3-U3-G1
72W32LED4K-G2-C	32	700	73	5808	80	B1-U3-G1	5783	79	B1-U3-G1	5648	77	B1-U3-G2	5799	79	B3-U3-G1
55W48LED4K-G2-C	48	350	55	4816	87	B1-U3-G1	4796	87	B1-U3-G1	4683	85	B1-U3-G1	4809	87	B3-U3-G1
80W48LED4K-G2-C	48	530	81	6907	86	B2-U3-G2	6879	85	B1-U3-G2	6717	83	B1-U3-G2	6897	86	B3-U3-G2
108W48LED4K-G2-C	48	700	106	8712	82	B2-U3-G2	8675	82	B2-U3-G2	8471	80	B2-U3-G2	8699	82	B3-U3-G2

Actual performance may vary due to installation variables including optics, mounting/ceiling height, dirt depreciation, light loss factor, etc.; highly recommended to confirm performance with a layout - contact Applications at signify.com/outdoorluminaires.
Note: Some data may be scaled based on tests on similar but not identical luminaires.

S26A-S26N Square Lantern LED Post Top Urban Luminaire

Dimensions



LED Wattage and Lumen Values: for S26A / S26N with Clear globe

Ordering Code: Clear Globe (3000K)	Total LEDs	LED current (mA)	Average System Wattage ¹ (W)	LE2			LE3			LE4			LE5		
				Lumen Output ²	Efficacy (LPW)	BUG Rating	Lumen Output ²	Efficacy (LPW)	BUG Rating	Lumen Output ²	Efficacy (LPW)	BUG Rating	Lumen Output ²	Efficacy (LPW)	BUG Rating
35W32LED3K-G2-C	32	350	37	2892	78	B1-U2-G1	2880	78	B1-U2-G1	2813	76	B1-U2-G1	2888	78	B2-U3-G1
55W32LED3K-G2-C	32	530	54	4149	77	B1-U3-G1	4131	77	B1-U3-G1	4034	75	B1-U3-G1	4143	77	B3-U3-G1
72W32LED3K-G2-C	32	700	73	5232	72	B1-U3-G1	5210	71	B1-U3-G1	5088	70	B1-U3-G2	5225	72	B3-U3-G1
55W48LED3K-G2-C	48	350	55	4338	79	B1-U3-G1	4320	78	B1-U3-G1	4219	77	B1-U3-G1	4332	79	B3-U3-G1
80W48LED3K-G2-C	48	530	81	6223	77	B1-U3-G1	6197	77	B1-U3-G2	6051	75	B1-U3-G2	6214	77	B3-U3-G1
108W48LED3K-G2-C	48	700	106	7848	74	B2-U3-G2	7816	74	B2-U3-G2	7632	72	B1-U3-G2	7837	74	B3-U3-G2

Ordering Code: Clear Globe (4000K)	Total LEDs	LED current (mA)	Average System Wattage ¹ (W)	LE2			LE3			LE4			LE5		
				Lumen Output ²	Efficacy (LPW)	BUG Rating	Lumen Output ²	Efficacy (LPW)	BUG Rating	Lumen Output ²	Efficacy (LPW)	BUG Rating	Lumen Output ²	Efficacy (LPW)	BUG Rating
35W32LED4K-G2-C	32	350	37	3210	87	B1-U2-G1	3197	86	B1-U2-G1	3122	84	B1-U2-G1	3206	87	B2-U3-G1
55W32LED4K-G2-C	32	530	54	4605	85	B1-U3-G1	4586	85	B1-U3-G1	4478	83	B1-U3-G1	4598	85	B3-U3-G1
72W32LED4K-G2-C	32	700	73	5808	80	B1-U3-G1	5783	79	B1-U3-G1	5648	77	B1-U3-G2	5799	79	B3-U3-G1
55W48LED4K-G2-C	48	350	55	4816	87	B1-U3-G1	4796	87	B1-U3-G1	4683	85	B1-U3-G1	4809	87	B3-U3-G1
80W48LED4K-G2-C	48	530	81	6907	86	B2-U3-G2	6879	85	B1-U3-G2	6717	83	B1-U3-G2	6897	86	B3-U3-G2
108W48LED4K-G2-C	48	700	106	8712	82	B2-U3-G2	8675	82	B2-U3-G2	8471	80	B2-U3-G2	8699	82	B3-U3-G2

Actual performance may vary due to installation variables including optics, mounting/ceiling height, dirt depreciation, light loss factor, etc.; highly recommended to confirm performance with a layout - contact Applications at signify.com/outdoorluminaires.
Note: Some data may be scaled based on tests on similar but not identical luminaires.

S26A-S26N Square Lantern LED Post Top

Urban Luminaire

Specifications (continued)

Driver options

AST: Pre-set driver for progressive start-up of the LED module(s) to optimize energy management and enhance visual comfort at start-up.

CLO: Pre-set driver to manage the lumen depreciation by adjusting the power given to the LEDs offering the same lighting intensity during the entire lifespan of the LED module.

OTL: Pre-set driver to signal end of life of the LED module(s) for better fixture management.

DMG: Dimmable driver 0-10V.

CDMG: Dynadimmer standard dimming functionalities including pre-programmed scenarios to suit many applications and needs from safety to maximum energy savings.

* Contact factory for DALI options.

Order Code	Dimming		
	Scenario	Duration	Level
CDMGS25	Safety	4 hours	25%
CDMGS50	Safety	4 hours	50%
CDMGS75	Safety	4 hours	75%
CDMGM25	Median	6 hours	25%
CDMGM50	Median	6 hours	50%
CDMGM75	Median	6 hours	75%
CDMGE25	Economy	8 hours	25%
CDMGE50	Economy	8 hours	50%
CDMGE75	Economy	8 hours	75%

SRD: Sensor Ready Driver including SR communication (used for dimming and other functionalities), 24V auxiliary supply and a logical signal input (LSI) connected to the top NEMA twist lock receptacle.

SRD1: Sensor Ready Driver including SR communication (used for dimming and other functionalities) but with 24V auxiliary supply and a logical signal input (LSI) not connected to the top NEMA twist lock.

LED Performance

Predicted lumen depreciation data ¹				
Ambient Temperature (°C)	Driver mA	Calculated L ₇₀ hours ^{1,2}	L ₇₀ per TM-21 ^{2,3}	Lumen Maintenance % @ 60,000 hours
25°C	700 mA	>100,000	>60,000	86%

1. Predicted performance derived from LED manufacturer's data and engineering design estimates, based on IESNA LM-80 methodology. Actual experience may vary due to field application conditions.

2. L₇₀ is the predicted time when LED performance depreciates to 70% of initial lumen output.

3. Calculated per IESNA TM21-11. Published L₇₀ hours limited to 6 times actual LED test hours.

Surge protector

Surge protector tested in accordance with ANSI/IEEE C62.45 per ANSI/IEEE C62.41.2 Scenario I Category C High Exposure 10kV/10kA waveforms for Line Ground, Line Neutral and Neutral Ground, and in accordance with U.S. DOE (Department of Energy) MSSLC (Municipal Solid State Street Lighting Consortium) model specification for LED roadway luminaires electrical immunity requirements for High Test Level 10kV / 10kA. SP2 20kV/20kA optional.

Luminaire options



HS
House side shield

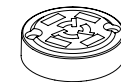


LF
Lily-flower decorative cap

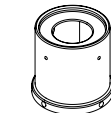
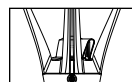
PH7 Photoelectric cell button type

SP2 20kV/20kA integral surge protector (optional)

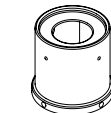
WC Without Cupola



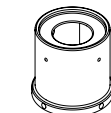
RCD7
Receptacle 7-pins.



TN2.875C
2-7/8" dia. tenon adaptor



TN3
3" dia. tenon adaptor



TN3.5
3-1/2" dia. tenon adaptor

Finish

In accordance with the AAMA 2603 standard. Application of polyester powder coat paint (4 mils/100 microns) with +/- 1 mils/24 microns of tolerance. The Thermosetting resins provides a discoloration resistant finish in accordance with the ASTM D2244 standard, as well as luster retention in keeping with the ASTM D523 standard and humidity proof in accordance with the ASTM D2247 standard. The surface treatment achieves a minimum of 2000 hours for salt spray resistant finish in accordance with testing performed and per ASTM B117 standard.

Textured Finish Options:

BE2TX: Textured Midnight Blue
BE6TX: Textured Ocean Blue
BE8TX: Textured Royal Blue
BG2TX: Textured Sandstone
BKTX: Textured Black
BRTX: Textured Bronze
GN4TX: Textured Blue Green
GN6TX: Textured Forest Green
GN8TX: Textured Dark Forest Green
GNTX: Textured Green
GY3TX: Textured Medium Grey
RD2TX: Textured Burgundy
RD4TX: Textured Scarlet
WHTX: Textured White

Non-Textured Finish Options:

GR: Gray Sandtex
NP: Natural Aluminum
TG: Hammer-tone Gold

Luminaire useful life

Refer to IES files for energy consumption and delivered lumens for each option. Based on ISTMT in situ thermal testing in accordance with UL1598 and UL8750, using LM-80 data from LED manufacturers and engineering prediction methods, the luminaire useful life is expected to reach 100,000+ hours with >L70 lumen maintenance @ 25°C. Luminaire Useful Life accounts for LED lumen maintenance AND all of these additional factors including: LED life, driver life, PCB substrate, solder joints, on/off cycles, burning hours and corrosion. Entire luminaire is rated for operation in ambient temperature of -40°C / -40°F up to +35°C / +95°F.

S26A-S26N Square Lantern LED Post Top

Urban Luminaire

Specifications (continued)

Hardware

All exposed screws shall be complete with Ceramic primer-seal base coat to reduce seizing of the parts and offers a high resistance to corrosion. All seals and sealing devices are made and/or lined with EPDM and/or silicone and/or rubber.

Wiring

Gauge (#14) TEW/AWM 1015 or 1230 wires, 6" (152mm) minimum exceeding from luminaire.

Quality control

Manufactured to ISO 9001 2008 standards and ISO 14001-2004 International Quality Standards Certification.

LED products (manufacturing standard)

The electronic components sensitive to electrostatic discharge (ESD) such as light emitting diodes (LEDs) are assembled in compliance with IEC61340 5 1 and ANSI/ESD S20.20 standards so as to eliminate ESD events that could decrease the useful life of the product.

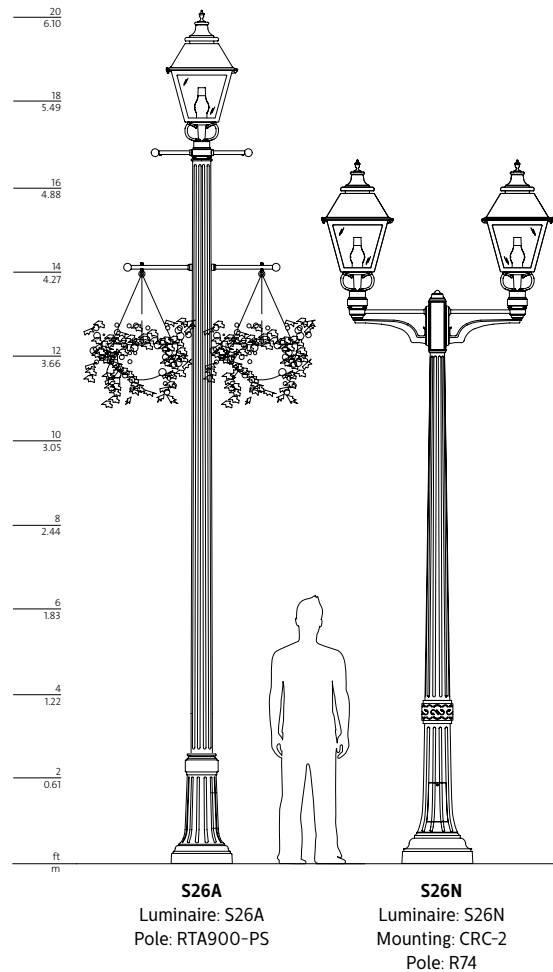
Quality control

Manufactured to ISO 9001 2008 standards and ISO 14001-2004 International Quality Standards Certification.

Certifications and Compliance

CSA, cULus Listed for Canada and USA.
Luminaires are DesignLights Consortium qualified.

Poles



Consult signify.com/outdoorluminaires for details and the complete line of Signify poles and brackets.

