

Day-Brite CFI

by  Signify

Recessed

T-Grid LED
troffer 2x2

2000, 3000, 3800 or
4500 lumens



Project: _____
 Location: _____
 Cat.No: _____
 Type: _____
 Lamps: _____ Qty: _____
 Notes: _____

Day-Brite / CFI T-Grid LED troffer is an energy efficient low profile luminaire offering excellent performance for general lighting applications such as offices, schools, healthcare, or retail. Featuring a frosted prismatic lens to enhance visual comfort, the T-Grid LED Troffer utilizes highly reliable and efficient Philips LED platform boards and dimmable driver, enabling market leading efficiency in its category.

Ordering guide

Example: 2TG30L840-2-FS-02F-UNV-DIM

Width	Family	Ceiling Type	Lumen Package	Color Temp.	Length	Door Frame	Lens	Voltage	Driver	Options
2 2'	T	G		—	2 2'	—	—	—	—	
2 2'	T T-Grid LED troffer	G Grid	20L 2000 nominal delivered lumens 30L 3000 nominal delivered lumens 38L 3800 nominal delivered lumens 45L 4500 nominal delivered lumens	830 80 CRI, 3000K 835 80 CRI, 3500K 840 80 CRI, 4000K 850 80 CRI, 5000K	2 2'	FS Flat Steel FA Flat Aluminum RA Regressed Aluminum	02F Pattern 12, .100" nominal diffuse 50% 12F DB 12 .125" nominal diffuse 50% 19F DB 19 .156" nominal diffuse 50%	UNV Universal Voltage 120-277V 347 347V	DIM 0-10V dimming SDIM Step dimming to 40% input power	F1 3/8" flex, 3 wire, 18 gauge 6' F2 3/8" flex, 4 wire, 18 gauge 6' F1/D 3/8" twin flex, 3 wire, 18 gauge 6', for dimmable luminaires F2/5W 3/8" single flex, 5 wire, 18 gauge 6', for dimmable luminaires EMLED¹ Integral emergency battery pack 1W 1-way gasket between lens & door frame (not avail. for RA door frame) 2W 1-way & gasket between door frame & housing 3W 2-way & gasket between housing & ceiling (field installed) GLR Fusing, fast blow CHIC Chicago Plenum rated DSC Quick driver disconnect

Footnotes

1 Emergency pack mounted in enclosure on top of fixture housing. Delivers 1100 nominal lumens in DC mode.

Accessories (order separately)

- **FMA22** – 2'x2' "F" mounting frame for NEMA "F" mounting
- **FKTG822** – Flange conversion kit, 2'x2'



2TG T-Grid LED troffer 2x2

2000, 3000, 3800 or 4500 lumens

Application

- High efficacy long life solid state lighting platform.
- General lighting distribution is excellent for ambient lighting.
- High CRI source provides excellent color rendering.
- LEDs are an excellent source for use with controls since frequent switching does not affect the life of the light source.

Construction/finish

- A quality low-profile troffer with specification features for NEMA "G" grid, NEMA "NFG" narrow face grid, NEMA "GR" grid regressed, or NEMA "F" flange ceiling types.
- 3" nominal housing depth, 3-3/16" maximum depth.
- Smooth rolled edges on all four sides for easy handling.
- Die-formed one piece housing includes stiffening embosses and provides increased rigidity.
- Housing is multi-stage phosphate treated for maximum corrosion resistance and finish coat is high reflectance baked white enamel.
- Integral baffling system to prevent light leaks.
- 2 sets of integral grid clips (wraparound and fold-out) for maximum mounting flexibility.

- Integral wire hanger holes for independent wire suspension.
- Embosses with holes provided in housing end for screwing to T-bar if desired.
- 7/8" K.O.'s provided in each end cap for through wiring.
- Factory installed access plate in housing top includes 7/8" hole with rolled edge and 7/8" K.O.
- Carton includes integral carrying handle for easy handling.

Electrical

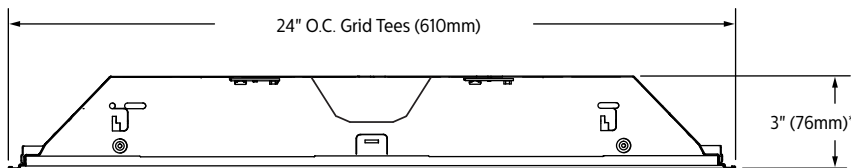
- Standard 0-10V dimming.
- Driver and LED boards are accessible from below. LED boards are individually replaceable if required.
- Five-year luminaire limited warranty including LED boards and driver. Visit www.philips.com/warranties for complete warranty information.
- High efficiency LEDs have 50,000 hour rated life (defined by testing at 70% lumen maintenance (L70)), based on 25°C ambient operating temperature.
- cETLus listed to UL and CSA standards, suitable for damp location.
- T-Grid LED luminaires are DesignLights Consortium® qualified. Please see the DLC QPL list for exact catalog numbers (<http://www.designlights.org/QPL>).

- Many luminaire components, such as reflectors, refractors, lenses, sockets, lampholders, and LEDs are made from various types of plastics which can be adversely affected by airborne contaminants. If sulfur based chemicals, petroleum based products, cleaning solutions, or other contaminants are expected in the intended area of use, consult factory for compatibility.

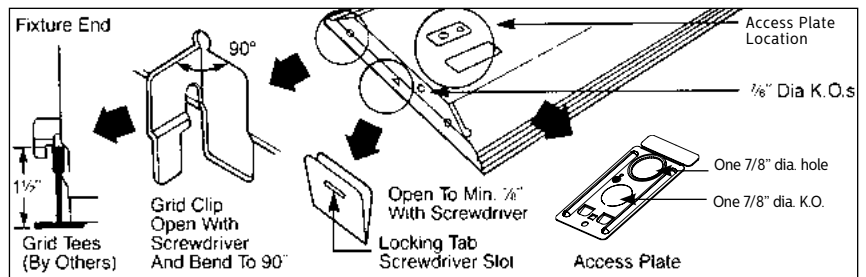
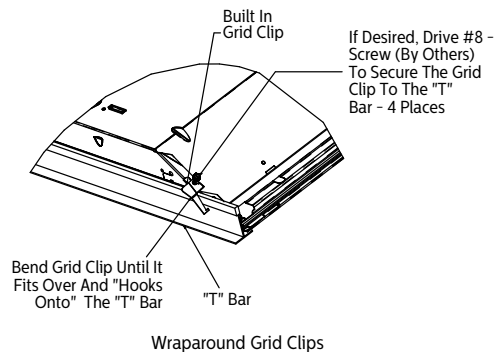
Enclosure

- Full "C" channel door frames for improved lens support and reduced shipping damage.
- Flat steel door frame features smooth rolled edges inside and outside.
- All door frames have mitered corners.
- All door frames use T-hinges and can be hinged and latched from either side.
- Opposable spring loaded latches are standard for easy operation and consistent retention.

Dimensions



*EMLED option adds 1-3/4" to overall height



Fold-Out Grid Clips

2TG T-Grid LED troffer 2x2

2000, 3000, 3800 or 4500 lumens

Photometry

2x2 T-Grid LED troffer, 2000 nominal delivered lumens

LER – 99

Catalog No. 2TG20L840-2-FS-02F-UNV Test No. 32630 S/MH 1.2 Source LED Lumens/Lamp 2287 Input Watts 23 Comparative yearly lighting energy cost per 1000 lumens – \$2.42 based on 3000 hrs. and \$.08 pwr KWH. Actual rates and usage may vary. The photometric results were obtained in the Day-Brite laboratory which is NVLAP accredited by the National Institute of Standards and Technology. Photometric values based on test performed in compliance with LM-79.	Candlepower				Light Distribution			Average Luminance							
	Angle	End	45	Cross	Degrees	Lumens	% Luminaire	Angle	End	45°	Cross				
	0	983	983	983	0-30	747	32.7	45	2442	2472	2551				
	5	978	978	979	0-40	1191	52.1	55	1968	1977	2058				
	15	933	935	937	0-60	1915	83.7	65	1572	1518	1644				
	25	844	849	856	0-90	2287	100.0	75	1427	1384	1618				
	35	703	709	709				85	1570	1597	1831				
	45	526	532	549	Coefficients of Utilization										
	55	344	345	359	EFFECTIVE FLOOR CAVITY REFLECTANCE 20 PER (pfc=0.20)										
	65	202	195	211	pcc	80			70			50			
75	112	109	127	pw	70	50	30	70	50	30	50	30			
85	42	42	49	RCR											
				0	118	118	118	115	115	115	111	111			
				1	109	105	101	107	103	98	97	94			
				2	100	93	85	97	91	84	86	81			
				3	92	81	75	90	81	73	78	71			
				4	84	72	65	82	71	64	69	63			
				5	78	66	57	76	65	56	63	56			
				6	72	59	51	70	58	51	56	50			
				7	68	55	46	66	54	46	52	45			
				8	63	50	41	61	48	41	47	40			
				9	58	46	38	57	46	38	44	38			
				10	55	42	34	54	41	34	40	34			

2x2 T-Grid LED troffer, 3000 nominal delivered lumens

LER – 92

Catalog No. 2TG30L840-2-FS-02F-UNV Test No. 32628 S/MH 1.2 Source LED Lumens/Lamp 2994 Input Watts 32.7 Comparative yearly lighting energy cost per 1000 lumens – \$2.61 based on 3000 hrs. and \$.08 pwr KWH. Actual rates and usage may vary. The photometric results were obtained in the Day-Brite laboratory which is NVLAP accredited by the National Institute of Standards and Technology. Photometric values based on test performed in compliance with LM-79.	Candlepower				Light Distribution			Average Luminance							
	Angle	End	45	Cross	Degrees	Lumens	% Luminaire	Angle	End	45°	Cross				
	0	1285	1285	1285	0-30	977	32.7	45	3201	3234	3342				
	5	1279	1279	1281	0-40	1558	52.0	55	2575	2589	2694				
	15	1220	1223	1228	0-60	2506	83.7	65	2052	1992	2153				
	25	1104	1110	1122	0-90	2994	100.0	75	1865	1803	2124				
	35	921	926	947				85	2063	2092	2395				
	45	689	696	719	Coefficients of Utilization										
	55	449	452	470	EFFECTIVE FLOOR CAVITY REFLECTANCE 20 PER (pfc=0.20)										
	65	264	256	277	pcc	80			70			50			
75	147	142	167	pw	70	50	30	70	50	30	50	30			
85	55	56	64	RCR											
				0	118	118	118	115	115	115	111	111			
				1	109	105	101	107	103	98	97	94			
				2	100	93	85	97	91	84	86	81			
				3	92	81	73	90	81	72	78	71			
				4	84	72	65	82	71	64	69	63			
				5	78	66	57	76	65	56	63	56			
				6	72	59	51	70	58	51	56	50			
				7	68	55	46	66	54	46	52	45			
				8	63	50	41	61	48	41	47	40			
				9	58	46	38	57	46	38	44	36			
				10	55	41	34	54	41	34	40	34			

2TG T-Grid LED troffer 2x2

2000, 3000, 3800 or 4500 lumens

Photometry

2x2 T-Grid LED troffer, 3800 nominal delivered lumens

LER – 85

Catalog No. 2TG38L840-2-FS-02F-UNV Test No. 32631 S/MH 1.2 Source LED Lumens/Lamp 3693 Input Watts 43.5 Comparative yearly lighting energy cost per 1000 lumens – \$2.82 based on 3000 hrs. and \$.08 pwr KWH. Actual rates and usage may vary. The photometric results were obtained in the Day-Brite laboratory which is NVLAP accredited by the National Institute of Standards and Technology. Photometric values based on test performed in compliance with LM-79.	Candlepower				Light Distribution			Average Luminance								
	Angle	End	45	Cross	Degrees	Lumens	% Luminaire	Angle	End	45°	Cross					
	0	1586	1586	1586	0-30	1206	32.7	45	3942	3990	4130					
	5	1578	1578	1580	0-40	1922	52.0	55	3177	3193	3330					
	15	1505	1509	1514	0-60	3091	83.7	65	2534	2456	2660					
	25	1362	1369	1384	0-90	3693	100.0	75	2301	2219	2625					
	35	1136	1143	1169				85	2545	2588	2951					
	45	848	859	889	Coefficients of Utilization											
	55	555	557	581	EFFECTIVE FLOOR CAVITY REFLECTANCE 20 PER (pfc=0.20)											
	65	326	316	342	pcc	80			70			50				
75	181	175	207	pw	70	50	30	70	50	30	50	30				
85	68	69	78	RCR												
				0	118	118	118	115	115	115	111	111				
				1	109	105	101	107	103	98	97	94				
				2	100	93	85	97	91	84	86	81				
				3	92	81	75	90	81	73	78	71				
				4	84	72	65	82	71	64	69	63				
				5	78	66	57	76	65	56	63	56				
				6	72	59	51	70	58	51	56	50				
				7	68	55	46	66	54	46	52	45				
				8	63	50	41	61	48	41	47	40				
				9	58	46	38	57	46	38	44	38				
				10	55	42	34	54	41	34	40	34				

2x2 T-Grid LED troffer, 4500 nominal delivered lumens

LER – 88

Catalog No. 2TG45L840-2-FS-02F-UNV Test No. 32395 S/MH 1.2 Source LED Lumens/Lamp 4551 Input Watts 51.5 Comparative yearly lighting energy cost per 1000 lumens – \$2.79 based on 3000 hrs. and \$.08 pwr KWH. Actual rates and usage may vary. The photometric results were obtained in the Day-Brite laboratory which is NVLAP accredited by the National Institute of Standards and Technology. Photometric values based on test performed in compliance with LM-79.	Candlepower				Light Distribution			Average Luminance								
	Angle	End	45	Cross	Degrees	Lumens	% Luminaire	Angle	End	45°	Cross					
	0	1968	1968	1968	0-30	1489	32.7	45	4852	4887	5031					
	5	1958	1957	1960	0-40	2366	52.0	55	3959	3952	4127					
	15	1864	1867	1873	0-60	3805	83.6	65	3202	3111	3327					
	25	1677	1687	1702	0-90	4550	100.0	75	2872	2789	3167					
	35	1392	1401	1428				85	3038	3066	3468					
	45	1044	1052	1083	Coefficients of Utilization											
	55	691	690	720	EFFECTIVE FLOOR CAVITY REFLECTANCE 20 PER (pfc=0.20)											
	65	412	400	428	pcc	80			70			50				
75	226	220	250	pw	70	50	30	70	50	30	50	30				
85	81	81	92	RCR												
				0	119	119	119	116	116	116	111	111				
				1	109	105	101	107	103	99	98	95				
				2	100	93	86	98	91	85	87	82				
				3	92	82	74	90	81	74	78	72				
				4	85	73	65	83	72	64	70	63				
				5	78	66	58	76	65	57	63	56				
				6	73	60	51	71	59	51	57	50				
				7	68	55	46	66	54	46	52	45				
				8	63	50	42	62	49	42	48	41				
				9	59	46	38	58	46	38	44	38				
				10	55	43	35	54	42	35	41	34				

