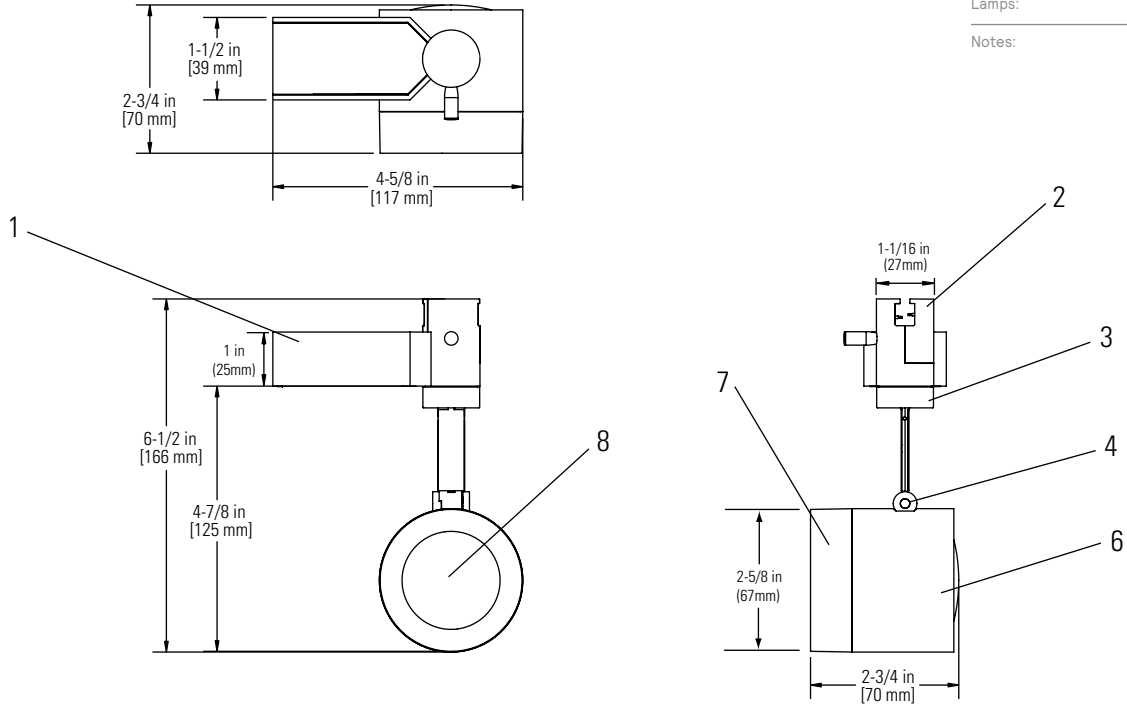


Project: _____
 Location: _____
 Cat.No: _____
 Type: _____
 Lamps: _____ Qty: _____
 Notes: _____



Ordering Information

Catalog No.	Finish	Track Mountings	Lamps
FX16C	Silver	For use on all Tangent Track systems. May be horizontal or vertical wall mounted.	12V MR16 Halogen 50W Max or 37W Max IR

Features

- Transformer:** Class two electronic transformer for 12V halogen lamps.
- Track Attachment fitting:** Molded thermoplastic clamping adapter with captive, nickel-plated steel pin. Clockwise rotation of pin secures fixture adapter to track.
- Horizontal Pivot:** Wireless stem profile with infinite horizontal rotation.
- Vertical Pivot:** 0° to 90° vertical adjustment.
- Socket:** Bi-pin ceramic low voltage halogen socket with multipoint contact.
- Housing:** Die cast aluminum.
- Accessory Cartridge:** Hinged and captive; Retaining ring included to secure accessories.
- Glass Shield:** Included for use with unshielded lamps.

Dimming

Use only dimmers specifically designed for use with electronic transformers. Low Voltage fixtures may produce audible sound when dimmed.

Finish

All Painted finishes are baked enamel.

Accessories

Accessory Holder: Integral

Accessories: Accepts two total (1 lens plus either 1 louver or 1 snoot)

Lens: AF2 or ADF2 Series

Louver: AL2HC

Snoot: 22SR6AL

Labels

cULus Listed

FX16C Tangent Track

Mini Cylinder MR16

AIMING ANGLE:

L Beam length
W Beam Width
C Distance to center beam
D Distance
A Aiming Angle
FC Footcandles

L and **W** are the outer points where the candle power drops to 50% of the maximum. **FC** are the initial footcandles at the center of the beam.

Lamp data shown is typical. Consult lamp manufacturers for availability and performance. CBCP= Center Beam Candle Power.

LAMP

	Beam Spread (To 50% CBCP)	CBCP	Rated Life (Hrs.)	0°				30° Horizontal					30° Vertical					45° Vertical				
				D	FC	L	W	D	C	FC	L	W	D	C	FC	L	W	D	C	FC	L	W
20W MR16 VNSP (EZC)	7°	7400	3000	6'	206	0.7'	0.7'	8'	4.6'	75	1.3'	1.1'	2'	3.5'	231	1.0'	0.5'	4'	4.0'	164	1.0'	0.7'
				8'	116	1.0'	1.0'	12'	6.9'	33	2.0'	1.7'	3'	5.2'	103	1.5'	0.7'	5'	4.0'	105	1.2'	0.9'
				10'	74	1.2'	1.2'	14'	8.1'	25	2.3'	2.0'	4'	6.9'	58	2.0'	1.0'	6'	6.0'	73	1.5'	1.0'
				12'	51	1.5'	1.5'	16'	9.2'	19	2.6'	2.3'	5'	8.7'	37	2.5'	1.2'	7'	7.0'	53	1.7'	1.2'
20W MR16 NSP (ESX)	15°	3750	5000	6'	104	1.6'	1.6'	6'	3.5'	68	2.1'	1.8'	2'	3.5'	117	2.2'	1.1'	4'	4.0'	83	2.1'	1.5'
				8'	59	2.1'	2.1'	8'	4.6'	38	2.8'	2.4'	3'	5.2'	52	3.3'	1.6'	5'	5.0'	53	2.7'	1.9'
				10'	38	2.6'	2.6'	10'	5.8'	24	3.5'	3.0'	4'	6.9'	29	4.4'	2.1'	6'	6.0'	37	3.2'	2.2'
				12'	26	3.2'	3.2'	12'	6.9'	17	4.2'	3.6'	5'	8.7'	19	5.6'	2.6'	7'	7.0'	27	3.8'	2.6'
20W MR16 FL (BAB)	40°	525	5000	2'	131	1.5'	1.5'	2'	1.2'	85	2.0'	1.7'	1'	1.7'	66	4.8'	1.5'	2'	2.0'	46	3.4'	2.1'
				3'	58	2.2'	2.2'	3'	1.7'	38	3.0'	2.5'	2'	3.5'	16	9.7'	2.9'	3'	3.0'	21	5.0'	3.1'
				4'	33	2.9'	2.9'	4'	2.3'	21	4.1'	3.4'	3'	5.2'	7	14.5'	4.4'	4'	4.0'	12	6.7'	4.1'
				5'	21	3.6'	3.6'	5'	2.9'	14	5.1'	4.2'	4'	6.9'	4	19.3'	5.8'	5'	5.0'	7	8.4'	5.1'
35W MR16 SP (FRA)	20°	3900	4000	6'	108	2.1'	2.1'	5'	2.9'	101	2.4'	2.0'	2'	3.5'	122	3.1'	1.4'	3'	3.0'	153	2.2'	1.5'
				8'	61	2.8'	2.8'	7'	4.0'	52	3.3'	2.9'	3'	5.2'	54	4.7'	2.1'	5'	5.0'	55	3.6'	2.5'
				10'	39	3.5'	3.5'	9'	5.2'	31	4.3'	3.7'	4'	6.9'	30	6.2'	2.8'	7'	7.0'	28	5.1'	3.5'
				12'	27	4.2'	4.2'	11'	6.4'	21	5.2'	4.5'	5'	8.7'	20	7.8'	3.5'	9'	9.0'	17	6.6'	4.5'
35W MR16 FL (FMW)	40°	1000	5000	5'	40	3.6'	3.6'	5'	2.9'	26	5.1'	4.2'	2'	3.5'	31	9.7'	2.9'	4'	4.0'	22	6.7'	4.1'
				6'	28	4.4'	4.4'	6'	3.5'	18	6.1'	5.0'	3'	5.2'	14	14.5'	4.4'	5'	5.0'	14	8.4'	5.1'
				7'	20	5.1'	5.1'	7'	4.0'	13	7.1'	5.9'	4'	6.9'	8	19.3'	5.8'	6'	6.0'	10	10.1'	6.2'
				8'	16	5.8'	5.8'	8'	4.6'	10	8.1'	6.7'	5'	8.7'	5	24.2'	7.3'	7'	7.0'	7	11.7'	7.2'
37W MR16 (IR) NFL	25°	4400	4000	6'	122	2.7'	2.7'	6'	3.5'	79	3.6'	3.1'	2'	3.5'	138	4.2'	1.8'	4'	4.0'	97	3.7'	2.5'
				8'	69	3.5'	3.5'	8'	4.6'	45	4.8'	4.1'	3'	5.2'	61	6.2'	2.7'	5'	5.0'	62	4.7'	3.1'
				10'	44	4.4'	4.4'	10'	5.8'	29	6.0'	5.1'	4'	6.9'	34	8.3'	3.5'	6'	6.0'	43	5.6'	3.8'
				12'	31	5.3'	5.3'	12'	6.9'	20	7.2'	6.1'	5'	8.7'	22	10.4'	4.4'	7'	7.0'	32	6.5'	4.4'
37W MR16 (IR) FL	40°	2200	4000	5'	88	3.6'	3.6'	5'	2.9'	57	5.1'	4.2'	2'	3.5'	69	9.7'	2.9'	4'	4.0'	49	6.7'	4.1'
				6'	61	4.4'	4.4'	6'	3.5'	40	6.1'	5.0'	3'	5.2'	31	14.5'	4.4'	5'	5.0'	31	8.4'	5.1'
				8'	34	5.8'	5.8'	8'	4.6'	22	8.1'	6.7'	4'	6.9'	17	19.3'	5.8'	6'	6.0'	22	10.1'	6.2'
				10'	22	7.3'	7.3'	10'	5.8'	14	10.2'	8.4'	5'	8.7'	11	24.2'	7.3'	7'	7.0'	16	11.7'	7.2'
42W MR16 VNSP (EZY)	9°	12300	3500	10'	123	1.6'	1.6'	10'	5.8'	80	2.1'	1.8'	2'	3.5'	384	1.3'	0.6'	4'	4.0'	272	1.3'	0.9'
				12'	85	1.9'	1.9'	12'	6.9'	55	2.5'	2.2'	3'	5.2'	171	1.9'	0.9'	5'	5.0'	174	1.6'	1.1'
				14'	63	2.2'	2.2'	14'	8.1'	41	2.9'	2.5'	4'	6.9'	96	2.6'	1.3'	6'	6.0'	121	1.9'	1.3'
				16'	48	2.5'	2.5'	16'	9.2'	31	3.4'	2.9'	5'	8.7'	62	3.2'	1.6'	7'	7.0'	89	2.2'	1.6'
50W MR16 NSP (EXT)	10°	8800	3000	8'	138	1.4'	1.4'	8'	4.6'	89	1.9'	1.6'	2'	3.5'	275	1.4'	0.7'	4'	4.0'	194	1.4'	1.0'
				10'	88	1.7'	1.7'	10'	5.8'	57	2.3'	2.0'	3'	5.2'	122	2.1'	1.0'	5'	5.0'	124	1.8'	1.2'
				12'	61	2.1'	2.1'	12'	6.9'	40	2.8'	2.4'	4'	6.9'	69	2.9'	1.4'	6'	6.0'	86	2.1'	1.5'
				14'	45	2.4'	2.4'	14'	8.1'	29	3.3'	2.8'	5'	8.7'	44	3.6'	1.7'	7'	7.0'	63	2.5'	1.7'
50W MR16 NFL (EXZ)	24°	2500	3000	6'	69	2.6'	2.6'	6'	3.5'	45	3.5'	2.9'	2'	3.5'	78	3.9'	1.7'	4'	4.0'	55	3.6'	2.4'
				8'	39	3.4'	3.4'	8'	4.6'	25	4.6'	3.9'	3'	5.2'	35	5.9'	2.6'	5'	5.0'	35	4.5'	3.0'
				10'	25	4.3'	4.3'	10'	5.8'	16	5.8'	4.9'	4'	6.9'	20	7.9'	3.4'	6'	6.0'	25	5.3'	3.6'
				12'	17	5.1'	5.1'	12'	6.9'	11	6.9'	5.9'	5'	8.7'	13	9.8'	4.3'	7'	7.0'	18	6.2'	4.2'
50W MR16 FL (EXN)	36°	1600	3000	6'	44	3.9'	3.9'	6'	3.5'	29	5.4'	4.5'	2'	3.5'	50	7.6'	2.6'	4'	4.0'	35	5.8'	3.7'
				8'	25	5.2'	5.2'	8'	4.6'	16	7.2'	6.0'	3'	5.2'	22	11.4'	3.9'	5'	5.0'	23	7.3'	4.6'
				10'	16	6.5'	6.5'	10'	5.8'	10	9.0'	7.5'	4'	6.9'	13	15.2'	5.2'	6'	6.0'	16	8.7'	5.5'
				12'	11	7.8'	7.8'	12'	6.9'	7	10.8'	9.0'	5'	8.7'	8	19.0'	6.5'	7'	7.0'	12	10.2'	6.4'
50W MR16 WFL (FNV)	60°	1200	4000	3'	128	3.1'	3.1'	3'	1.7'	83	4.6'	3.6'	1'	1.7'	144	22.3'	2.1'	2'	2.0'	102	5.7'	2.9'
				5'	46	5.2'	5.2'	5'	2.9'	30	7.6'	6.0'	2'	3.5'	36	44.5'	4.2'	3'	3.0'	45	8.6'	4.4'
				7'	23	7.3'	7.3'	7'	4.0'	15	10.7'	8.4'	3'	5.2'	16	66.8'	6.2'	4'	4.0'	25	11.4'	5.9'
				9'	14	9.4'	9.4'	9'	5.2'	9	13.7'	10.8'	4'	6.9'	9	89.1'	8.3'	5'	5.0'	16	14.3'	7.4'

FX16C Tangent Track

Mini Cylinder MR16

MR16 LOW VOLTAGE HALOGEN BI-PIN LAMPS WITH ALUMINIZED (NON-DICHROIC) REFLECTORS

Lamp Type	Beam Angle	Wattage	Color Temp	8'	164	1.5'	1.5'	7'	4.0'	139	1.8'	1.6'	3'	5.2'	146	2.4'	1.2'	5'	5.0'	148	1.9'	1.4'
50W MR16 NSP	10°	10500	4000	12'	73	2.3'	2.3'	10'	5.8'	68	2.6'	2.2'	4'	6.9'	82	3.2'	1.5'	7'	7.0'	76	2.7'	1.9'
				16'	41	3.1'	3.1'	13'	7.5'	40	3.3'	2.9'	5'	8.7'	53	4.0'	1.9'	9'	9.0'	46	3.5'	2.5'
				20'	26	3.9'	3.9'	16'	9.2'	27	4.1'	3.6'	6'	10.4'	36	4.8'	2.3'	11'	11.0'	31	4.3'	3.0'
				6'	83	2.7'	2.7'	5'	2.9'	78	3.0'	2.6'	2'	3.5'	94	4.2'	1.8'	3'	3.0'	118	2.8'	1.9'
50W MR16 NFL	25°	3000	4000	8'	47	3.5'	3.5'	7'	4.0'	40	4.2'	3.6'	3'	5.2'	42	6.2'	2.7'	5'	5.0'	42	4.7'	3.1'
				10'	30	4.4'	4.4'	9'	5.2'	24	5.4'	4.6'	4'	6.9'	23	8.3'	3.5'	7'	7.0'	22	6.5'	4.4'
				12'	21	5.3'	5.3'	11'	6.4'	16	6.6'	5.6'	5'	8.7'	15	10.4'	4.4'	9'	9.0'	13	8.4'	5.6'
				4'	119	2.9'	2.9'	3'	1.7'	137	3.0'	2.5'	1'	1.7'	238	4.8'	1.5'	3'	3.0'	75	5.0'	3.1'
50W MR16 FL	35°	1900	4000	6'	53	4.4'	4.4'	5'	2.9'	49	5.1'	4.2'	2'	2.9'	59	9.7'	2.9'	4'	4.0'	42	6.7'	4.1'
				8'	30	5.8'	5.8'	7'	4.0'	25	7.1'	5.9'	3'	4.0'	26	14.5'	4.4'	5'	5.0'	27	8.4'	5.1'
				10'	19	7.3'	7.3'	9'	5.2'	15	9.1'	7.6'	4'	5.2'	15	19.3'	5.8'	6'	6.0'	19	10.1'	6.2'

