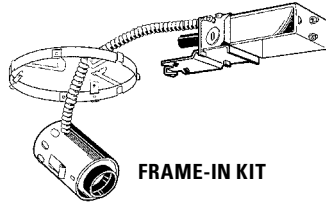
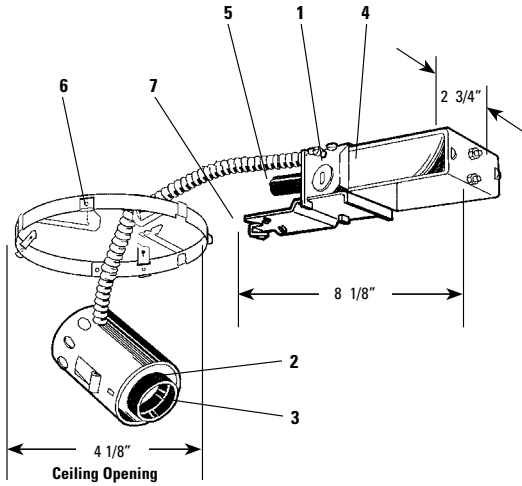


Project: _____
 Location: _____
 Cat.No: _____
 Type: _____
 Lamps: _____ Qty: _____
 Notes: _____



Complete Fixture consists of Reflector Trim & Frame-In Kit. Select each separately.

Frame-In Kit Reflector Trims — See Individual Reflector Trim Specification Sheets

2000LVR	Open Downlight					Adjustable		Enclosed Diffuser
	Aperture Cone	Satin Cone	Baffles	Slot	Pinhole	Mini Swivel	Eyeball	
	2012	2008	2005	2006	2011	2025WH	2022LV	2026WH 2090LV
	2012NM	2008NM	2005WH					
	2013BKNM	2010	2005BNM					
	2013CD	2010NM	2005NM					
	2013CDNM							
	2013NM							
	2013BK							
	2013WH							
	2013							
	2013WD							
	2013WDP							

2000LVR Lytecaster Low Voltage 3 3/4"

MR16 Remodeler

Features

- Junction Box:** 2" x 2" x 2 5/8"; .036" (#20 ga.) galvanized steel. UL listed for 90° C supply wire. Integral cable clamps permit attachment of nonmetallic Romex® or armored cable without need of additional connectors.
- Socket Housing:** Aluminum, with lamp adjustment assembly allows vertical and horizontal adjustment, (see reflector trim specification sheet for specific adjustment).
- Socket:** Field replaceable. Two pin socket, pre-wired with #18SF1 leads to junction box.
- Transformer:** Outboard mounted, magnetic, 120V. primary, nominal 12V. secondary. Removable from below.
- Thermal Protector:** Meets NEC and UL requirements. Insulation must be kept 3" away from fixture sides and wiring compartments and must not be placed above fixture in a manner which will entrap heat.
- Mounting Ring:** .048 (#18 ga.) galvanized steel. Accommodates existing ceilings up to 2" thick. Attaches securely to any type of ceiling material without tools using (3) mounting straps provided. Push-in/twist out clips hold reflector flush to ceiling. Includes adhesive backed aperture template.
- Nail Clips:** Secures junction box and plate to ceiling.

Dimming

Dimming Controls: Use only dimmers specifically designed for use with transformers, like Lightolier Onset®, Sunrise® series LV or VA dimmers, or any Lightolier Controls dimming system. Low voltage fixtures may produce audible sound when used with dimmers, which may be objectionable in acoustically critical areas.

Options & Accessories

MR16 Socket Replacement: 1975B
277V Remote Step Down Transformer: 7997 - 277V down to 120V
300W max. load.

Socket for General Electric Turn and lock (TAL) MR16 Lamp: 1975TAL

Labels

UL (Suitable for Damp Locations), I.B.E.W.

Romex® is a registered trademark of General Cable Industries Inc.

