

Exit/Emergency

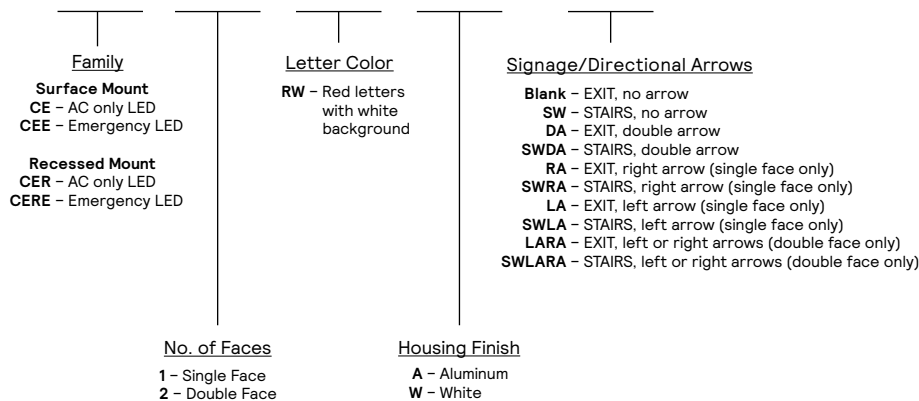
CE series

Edge-lit LED exit sign



Project: _____
 Location: _____
 Cat.No: _____
 Type: _____
 Lamps: _____ Qty: _____
 Notes: _____

Example: CEE1RWADA



codes and standards

- UL listed to standard 924
- NFPA 101 (Life Safety Code)
- NFPA 70 (National Electric Code)
- OSHA standards
- City of Chicago codes
- UL listed for damp locations 32°F (0°C) to 122°F (50°C)

construction

- Premium-grade, extruded aluminum housing.
- Recessed housing is easily detached from below, allowing easy access for service or maintenance.
- Panels are UV stable, silk screened acrylic which provides consistent, uniform illumination.
- Housings are available in a white finish or aluminum finish.
- Panels are supplied with red letters on white backgrounds.
- Signs available as single or double faced.

installation

- Surface mounted signs are provided with a die-cast aluminum mounting canopy for universal ceiling, end or wall mounting.
- Recessed mounted signs are drywall, drop-thru ceiling mounted.
- Recessed units cannot be end mounted.

electronics

- Charge rate/power “ON” LED indicator light and push to test switch for mandated code compliance testing.
- Low Voltage Battery Disconnect protects the battery from being severely damaged by deep discharge during prolonged power failures.
- Emergency exit signs feature a fully automatic charger designed to recharge the battery within 24 hours.
- 120/277V dual input.
- Power Consumption:
 AC Models: 120 Volt Max. Watts 4.3W, Max. Amps 0.04A; 277 Volt Max. Watts 4.7W, Max. Amps 0.02A.
 Emergency Models: 120 Volt Max. Watts 4.5W, Max. Amps 0.04A; 277 Volt Max. Watts 4.5W, Max. Amps 0.02A.

LED

- Exit face illumination is provided by an ultra-bright, energy efficient, long lasting white LEDs that provide uniform illumination.
- Uniform 6" letter illumination (3/4" stroke).

battery

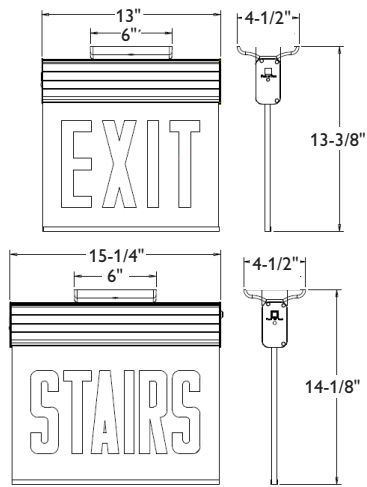
- Maintenance free sealed nickel cadmium battery.
- Provides a minimum of 90 minutes emergency illumination while in the emergency mode.

warranty

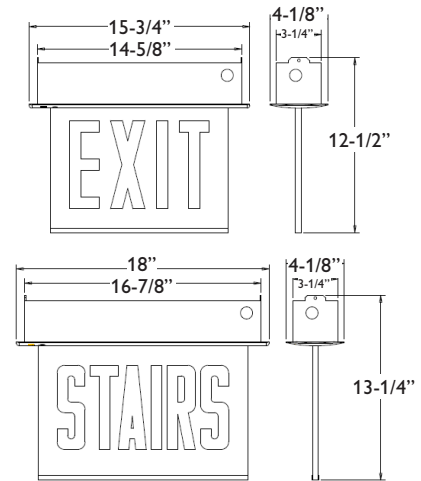
- Five year warranty.

CE Edge-lit LED exit sign

Surface Mount



Recessed Mount



The information presented in this document is not intended as any commercial offer and does not form part of any quotation or contract.

