

INSTRUCTIONS FOR SURFACE MOUNTING OF MONOPOINT AND MULTIPPOINT

INSTRUCTION SHEET NO.

IS:6190

R0688

READ AND UNDERSTAND THESE INSTRUCTIONS BEFORE PROCEEDING.

This fixture is intended for installation in accordance with the National Electrical Code and local or federal code specifications. To prevent electrical shock, turn off electricity at fuse box before proceeding.

Retain these instructions for maintenance reference.

CAUTION

- **TURN OFF POWER AT FUSE BOX BEFORE INSTALLING TRACK.**
- **INSTRUCTIONS FOR GROUNDING PER INSTRUCTION SHEET OF THE FEED-IN KIT MUST BE FOLLOWED. FAILURE TO DO SO MAY RESULT IN A HAZARDOUS CONDITION.**
- **USE SOLID WIRE ONLY (NOT STRANDED WIRE) FOR SUPPLY TO TRACK.**

1. Install OUTLET BOX (by others) flush with finished ceiling.
2. Attach CROSSBAR with THREADED STUDS to OUTLET BOX as shown in Fig. 1 and 2.
3. Make wiring connections:
Black fixture lead or fixture lead without tracer mark to black supply lead; white fixture lead or fixture lead with tracer mark to white supply lead. Green or uninsulated wire is a GROUND WIRE and must be connected to a grounding TERMINAL or a GROUND WIRE in the OUTLET BOX. Use wire nuts (local hardware item).
4. Place wire connections into OUTLET BOX and fasten MONOPOINT (or MULTIPPOINT) to THREADED STUDS with CAP SCREWS (Fig. 1 and 2).

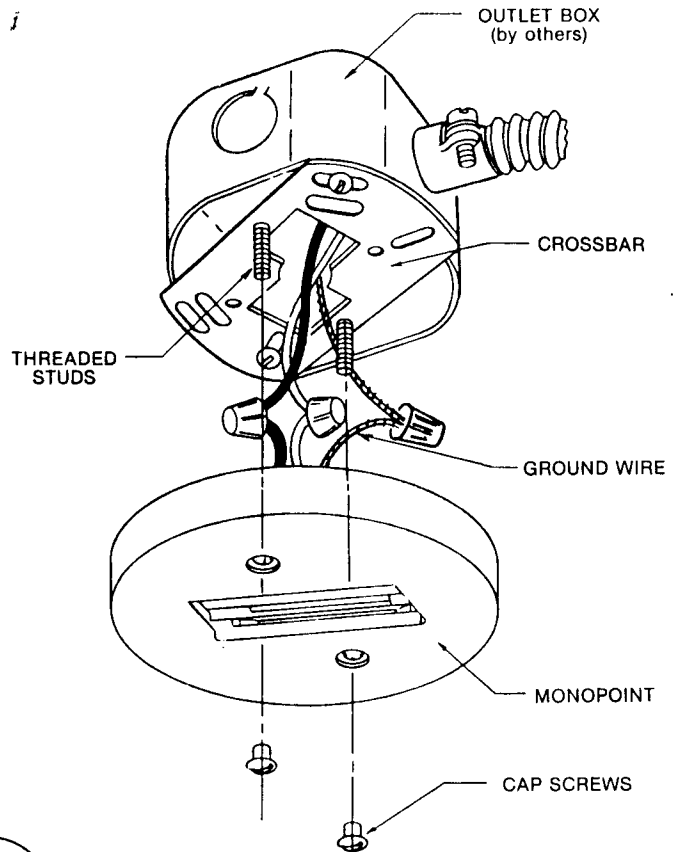


FIG. 1

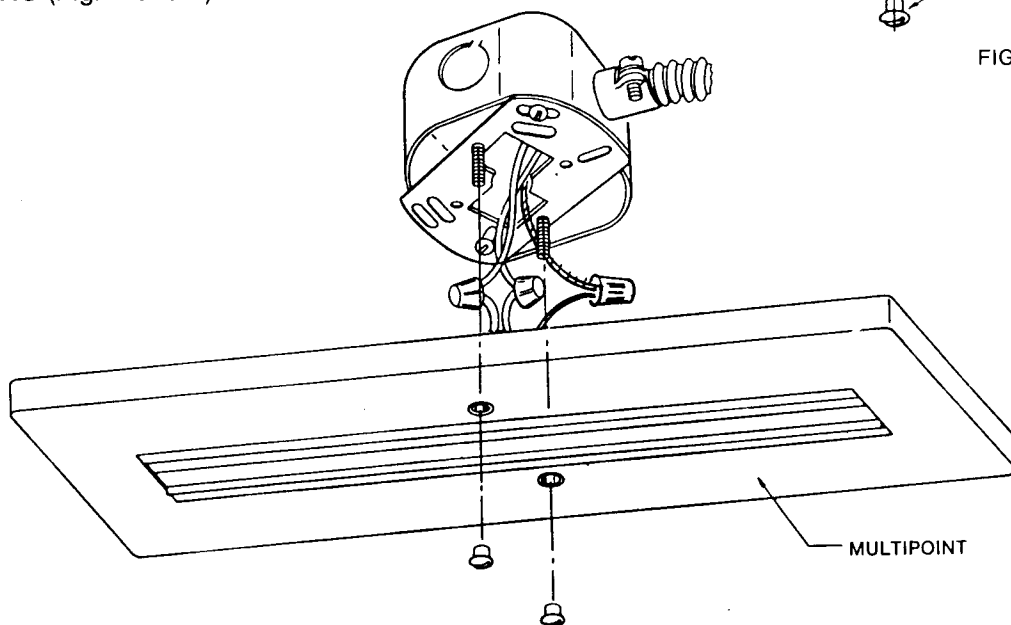


FIG. 2