

INSTALLATION INSTRUCTIONS

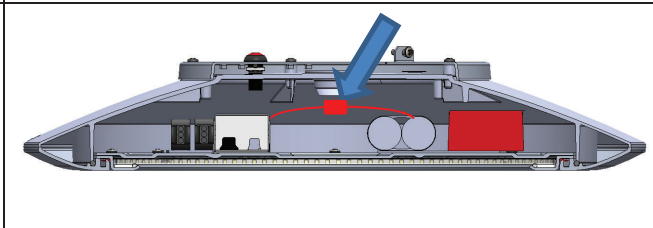
SOFTVIEW – EMERGENCY BATTERY BACKUP (EBP & EBPC)

TOOLS REQUIRED:
 • WIRE NUTS (QTY 3-4) • PHILLIPS HEAD SCREWDRIVER # 2

BEFORE INSTALLING THE FIXTURE, THE EMERGENCY BATTERY BACKUP NEEDS TO BE ACTIVATED. FIRST SET THE FIXTURE ON A FLAT SURFACE AND REMOVE (QTY 5) SCREWS LOCATED AROUND THE UPPER LENS OF FIXTURE. RETAIN THE SCREWS.

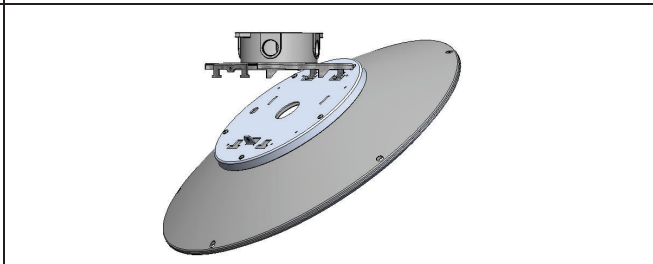


LIFT OPEN THE UPPER LENS SO THAT YOU HAVE ACCESS TO THE INTERIOR OF THE FIXTURE. CONNECT CONVERTER CONNECTOR LOCATED ON THE EMERGENCY CONTROLLER. THIS CONNECTOR HAS A RED WIRE(S) ATTACHED TO THE CONTROLLER HOUSING. FIXTURE SHOULD BE ILLUMINATED AT A LOW EMERGENCY LIGHT LEVEL.



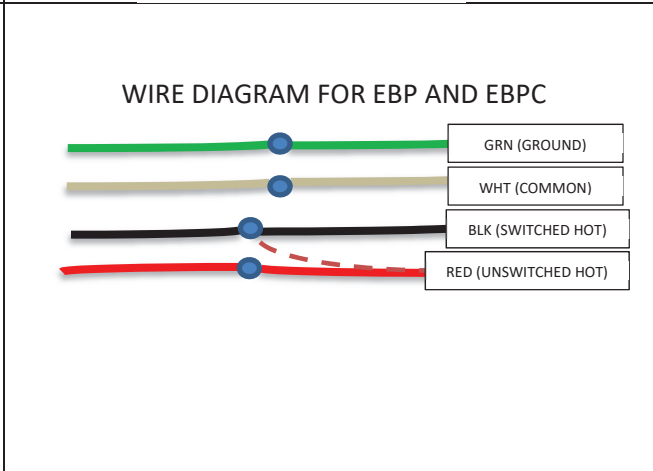
BE SURE THAT THE O-RING ON LOWER CASTING IS STILL SEATED IN THE INTERNAL GROOVE AND NONE OF THE INTERNAL WIRES INTERFERE WITH THE SEAL. REPLACE SCREWS (QTY 5) AROUND THE UPPER PLASTIC LENS, HAND TIGHTEN.

MOUNT THE FIXTURE AS INSTRUCTED ON THE MOUNTING INSTRUCTION SHEET INCLUDED IN THE MAIN BOX.

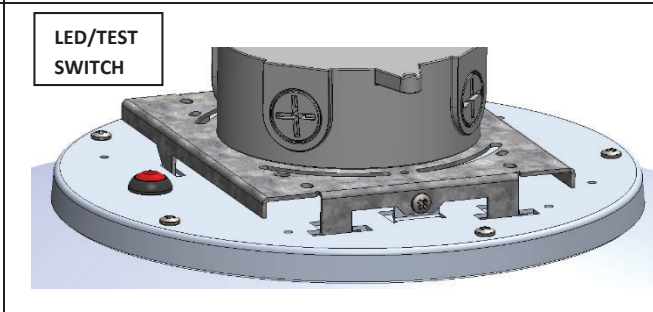


WIRE AS SHOWN IN THE IMAGE. IF AN UN-SWITCHED MAINS LINE IS AVAILABLE AT THE INSTALLATION SITE, THEN CONNECT THIS LINE TO DEDICATED UNSWITCHED LINE WIRE OF EMERGENCY BALLAST (UNSWITCHED), WHILE THE SWITCHED MAINS LINE IS CONNECTED TO SWITCHED LINE ON THE EMERGENCY BALLAST (IN THE CASE SWITCHED LINE IS AVAILABLE AT THE INSTALLATION SITE).

IF SWITCHED LINE IS NOT MADE AVAILABLE AT THE INSTALLATION SITE, THEN BOTH, SWITCHED AND UNSWITCHED LINES ON THE BALLAST, SHOULD BE CONNECTED TO UN-SWITCHED LINE FROM THE MAINS SUPPLY.



ONCE THE LINE VOLTAGE CONNECTIONS ARE COMPLETE AND THE LUMINAIRE IS ENERGIZED, THE LED/TEST SWITCH WILL ACTIVATE BY RAPIDLY BLINKING. THIS INDICATES THAT THE BATTERY PACK IS CHARGING. NOTE: FOR SHORT-TERM TESTING OF THE EMERGENCY FUNCTION, THE BATTERY MUST BE CHARGED FOR AT LEAST ONE HOUR AND MUST BE CHARGED FOR 24 HOURS BEFORE CONDUCTING LONG-TERM TESTING.



© 2018 Signify Holding. All rights reserved. This document contains information relating to the product portfolio of Signify which information may be subject to change. No representation or warranty as to the accuracy or completeness of the information included herein is given and any liability for any action in reliance thereon is disclaimed. The information presented in this document is not intended as any commercial offer and does not form part of any quotation or contract. All trademarks are owned by Signify Holding or their respective owners.