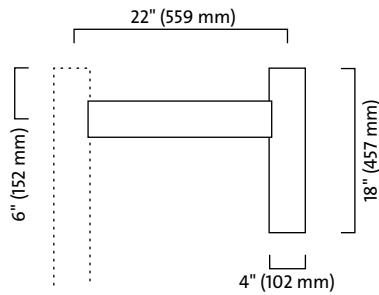


CR

EPA: 1.11 sq.ft. **Weight:** 12.0 lbs. (5.4 kg)



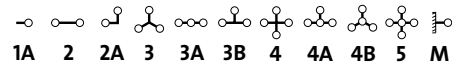
Specifications:

The **CR** mounting arm features a seamless 2" by 4" (51 by 102 mm) rectangular aluminum extrusion, mechanically assembled on both sides to the pole and to the luminaire adaptor.

The mounting arm includes a 4" (102 mm) O.D. extruded aluminum luminaire adaptor welded to the arm for luminaire mounting.

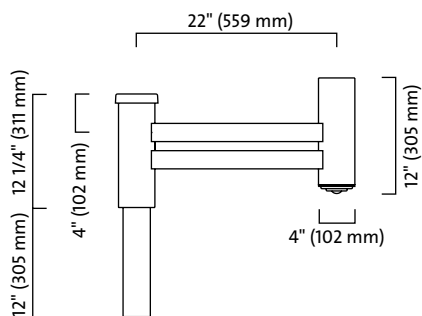
When specified with a central luminaire (configurations 3A, 4A, 4B and 5), a central pole adaptor serves to facilitate installation on site.

Configurations



JR

EPA: 1.51 sq.ft. **Weight:** 9.0 lbs. (4.1 kg)



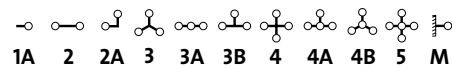
Specifications:

The **JR** mounting arm features two seamless 2" by 3" (51 by 76 mm) rectangular aluminum extrusions, welded on both sides to the central pole adaptor and to the luminaire adaptor.

The mounting arm includes a 4" (102 mm) O.D. extruded aluminum luminaire adaptor welded to the arm for luminaire mounting.

> For pole supplied by others, we strongly recommend the OV option.

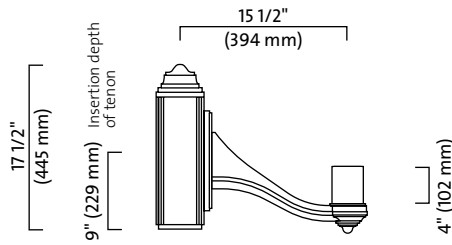
Configurations



CRDS / CRFS / AC / VC > CAST BRACKETS AND SHORT REACH BRACKETS

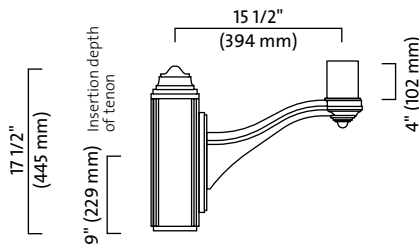
CRDS

EPA: 1.13 sq.ft. Weight: 19.0 lbs. (8.6 kg)



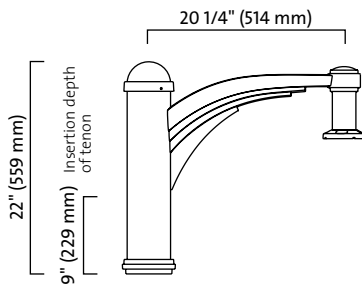
CRFS

EPA: 1.12 sq.ft. Weight: 19.0 lbs. (8.6 kg)



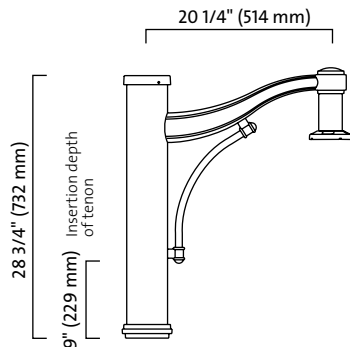
AC

EPA: 1.45 sq.ft. Weight: 15.0 lbs. (6.8 kg)



VC

EPA: 1.65 sq.ft. Weight: 16.0 lbs. (7.3 kg)



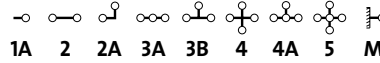
Specifications:

The CRDS / CRFS mounting arms feature a cast-aluminum curved arm mechanically assembled to a cast-aluminum plate.

The mounting arms are equipped with a 3" round (76 mm) by 3" high (76 mm) tenon for luminaire mounting.

The CRDS / CRFS plates are mechanically fastened by stainless steel hardware to a central pole adaptor slip-fitting 9" (229 mm) over a 4" (102 mm) O.D. pole or tenon.

Configurations



Mid-pole Configurations

> with pole option MPL



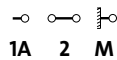
Specifications:

The AC mounting arm features a cast-aluminum curved arm, welded to the central pole adaptor.

The luminaire adaptor will accept a luminaire equipped with Lumec's four-bolt mounting system.

The central pole adaptor slip-fits 9" (229 mm) over a 4" (102 mm), 5" (127 mm) or 5 9/16" (141 mm) O.D. pole or tenon.

Configurations



Mid-pole Configurations

> with pole option MPL



Specifications:

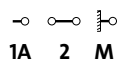
The VC mounting arm features a cast-aluminum curved arm welded to the central pole adaptor.

The mounting arm includes an extruded-aluminum decorative curved tubing welded to the side of the central pole adaptor and to the arm.

The luminaire adaptor will accept a luminaire equipped with Lumec's four-bolt mounting system.

The central pole adaptor slip-fits 9" (229 mm) over a 4" (102 mm), 5" (127 mm) or 5 9/16" (141 mm) O.D. pole or tenon.

Configurations



Mid-pole Configurations

> with pole option MPL



Note: Lumec reserves the right to modify the above details to reflect changes in the cost of materials and/or production and/or design without prior notice.

LUMEC