

Project: _____

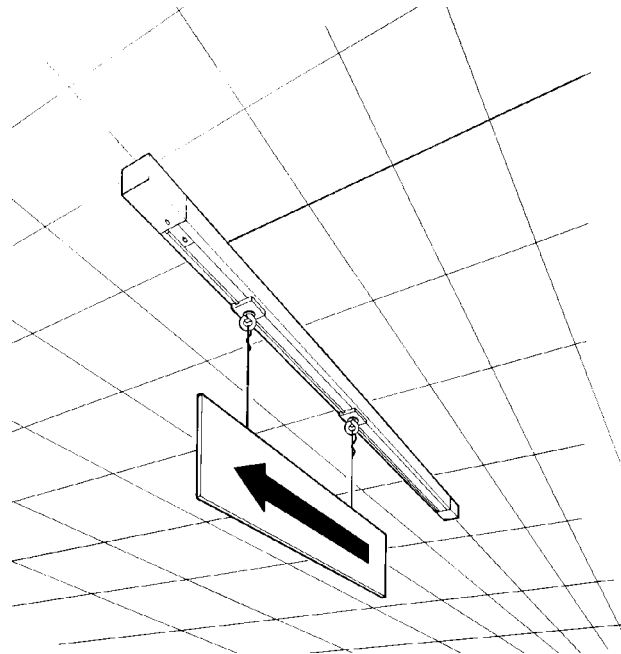
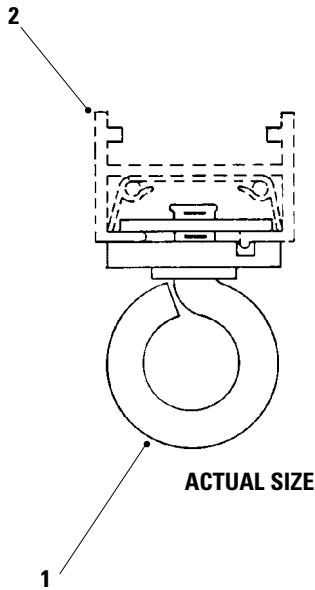
Location: _____

Cat.No: _____

Type: _____

Lamps: _____ Qty: _____

Notes: _____



Ordering Information

Catalog No.	Description
<input type="checkbox"/> 7437	Suspension display hook for Basic Lytespan, Advent Lytespan or Lytespan III.

Features

- Suspension Display Hook:** locks into Lytespan Track to provide support for signs, displays, etc.
- Lytespan Track**

Weight Limit

25 lbs. per hook on Basic Lytespan or Advent Lytespan, 100 lbs. per hook on Lytespan III. Maximum 15 lbs. per foot on Basic Lytespan or Advent Lytespan. Maximum 50 lbs. per foot on Lytespan III.

