

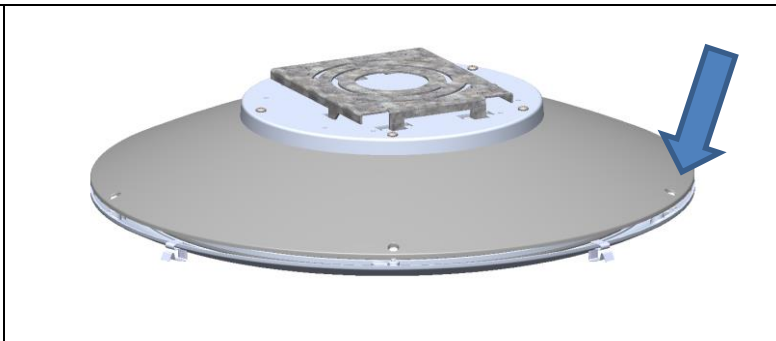
INSTALLATION INSTRUCTIONS

SOFTVIEW – WIRE GUARD

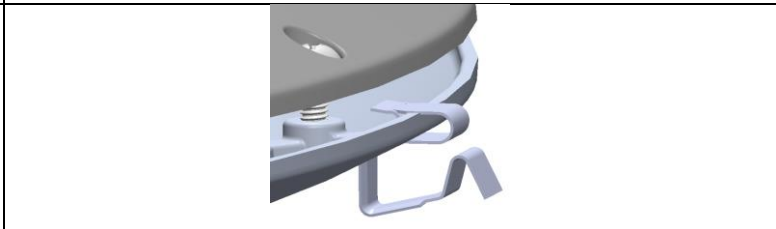
TOOLS AND MATERIAL REQUIRED:

- PHILLIPS AND FLAT HEAD SCREWDRIVERS #2
- NEEDLE NOSE PLIERS
- GLOVES

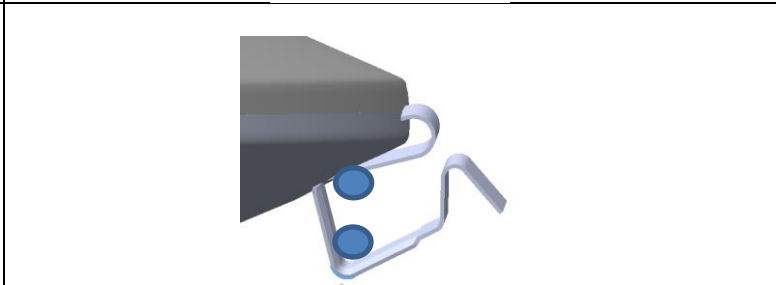
LOOSEN (DO NOT REMOVE) THE FIVE PHILLIPS HEAD SCREWS ON THE TOP OF THE UPPER LENS.



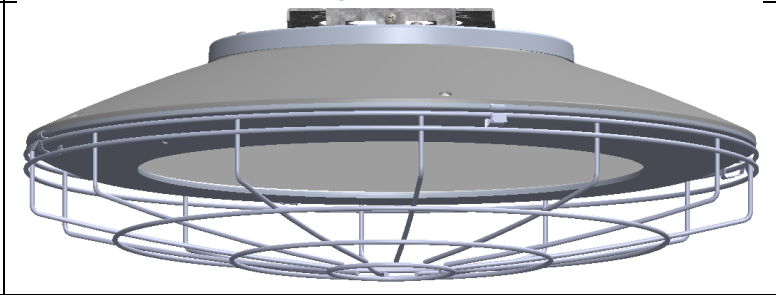
PUSH IN THE FOUR WIRE GUARD CLIPS IN THE LOWER CASTING LIP IN BETWEEN UPPER LENS AND LOWER CASTING. THE FOUR CLIPS SHOULD BE EVENLY ARRAYED AROUND THE LOWER CASTING.



MOUNT THE WIRE GUARD TO THE FIRST CLIP UNDER THE TOP TWO RINGS. USE NEEDLE NOSE PLIERS TO SPREAD THE CLIP. BE SURE TO WEAR GLOVES WHEN HANDLING THE CLIP.



MAKE NECESSARY ADJUSTMENTS TO THE CLIPS AND WIRE GUARD TO ENSURE A PROPER FIT. SCREW UPPER LENS TO LOWER CASTING AND INSTALL FIXTURE.



GENERAL: Upon receipt inspect for any freight damage which should be brought to the attention of the delivering carrier. See “Damage and Shortage Claims” for proper steps in filing claims with the carrier. Compare the catalog description listed on the packing slip with the label on the carton to assure you have received the correct material.