

LIGHTOLIER

by  Signify

Decorative

IS-IW01

Vetro Luminaire

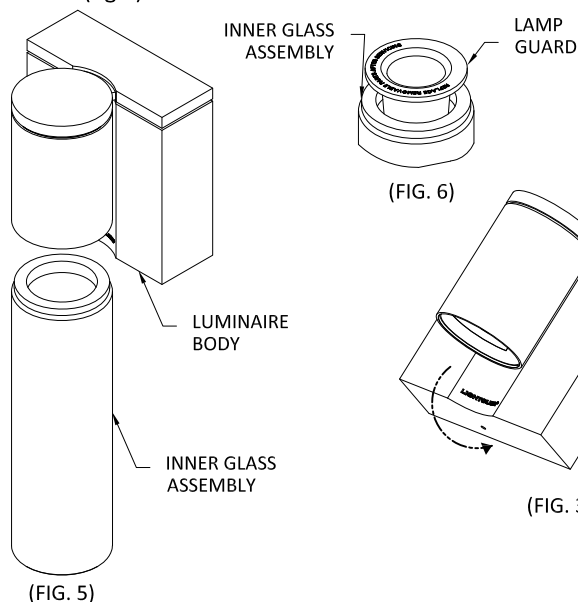
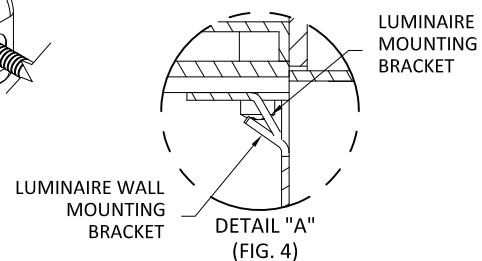
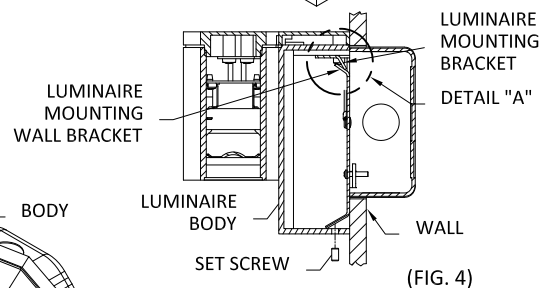
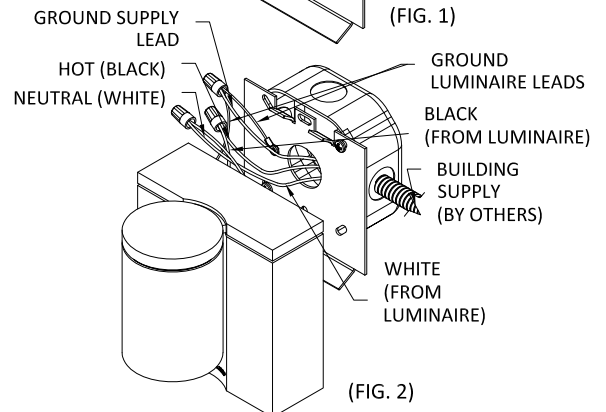
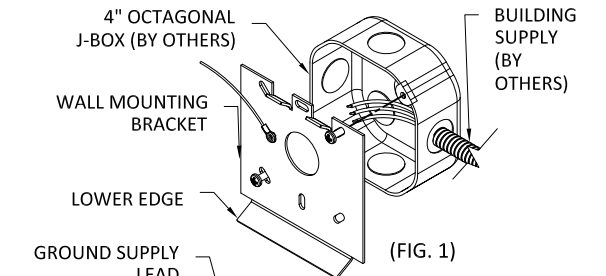
Read and understand these instructions before installing luminaire.

This luminaire is intended for installation in accordance with the National Electrical Code and local regulations. To assure full compliance with local codes and regulations, check with your local electrical inspector before installation. To prevent electrical shock, turn off electricity at fuse box before proceeding.

Retain these instructions for maintenance reference.

Note: This instruction sheet covers several luminaire types and styles. Although the illustration may not depict the product exactly, the installation remains the same.

1. Mount WALL MOUNTING BRACKET to a 4" octagonal junction box. The lower edge of WALL MOUNTING BRACKET should be mounted in direction fixture is to be mounted. The fixture shown is aimed down (Note: luminaire may be mounted with INNER GLASS ASSEMBLY in an up or down position) (fig. 1).
2. Make electrical connections: Connect BLACK(CFL/INC.)/BROWN(LED) LUMINAIRE LEAD to HOT (BLACK) SUPPLY LEAD; WHITE(CFL/INC.)/BLUE(LED) LUMINAIRE LEAD to NEUTRAL (WHITE) SUPPLY LEAD; TWO GROUND LUMINAIRE LEAD (COPPER) must be connected to the GROUND SUPPLY LEAD. Use wire nuts supplied to make connections (fig. 2).
3. Angle LUMINAIRE BODY as shown in fig. 3 and slide tabs of MOUNTING BRACKET over tabs of WALL MOUNTING BRACKET. Swing body flush to wall (FIG. 3 & 4).
4. Screw SET SCREW into LUMINAIRE BODY until luminaire is flush and tight to WALL. Do not overtighten (fig. 4)
5. Install recommended lamp (by others).
6. Screw on INNER GLASS ASSEMBLY (fig. 5). For IW versions insert LAMP GUARD into INNER GLASS ASSEMBLY then screw on INNER GLASS ASSEMBLY (fig 6).



 Signify