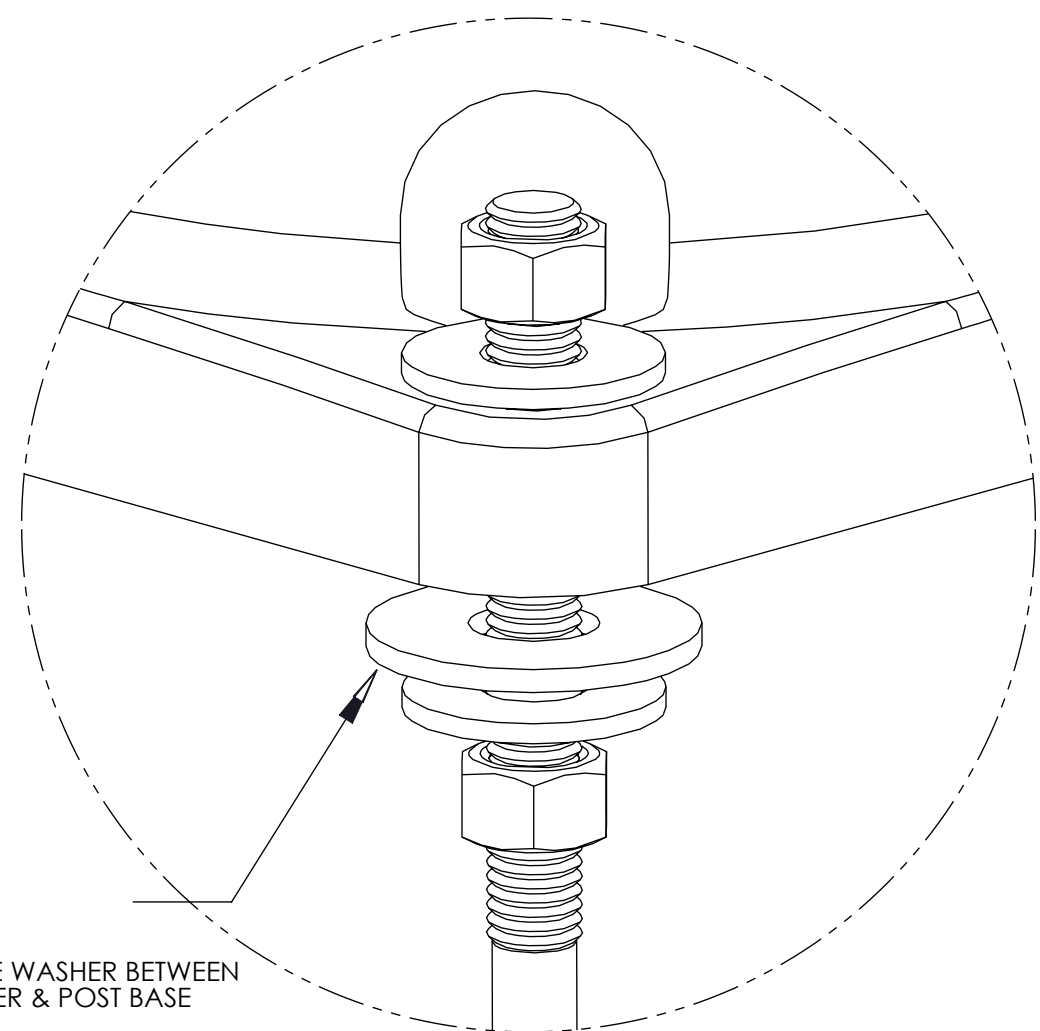
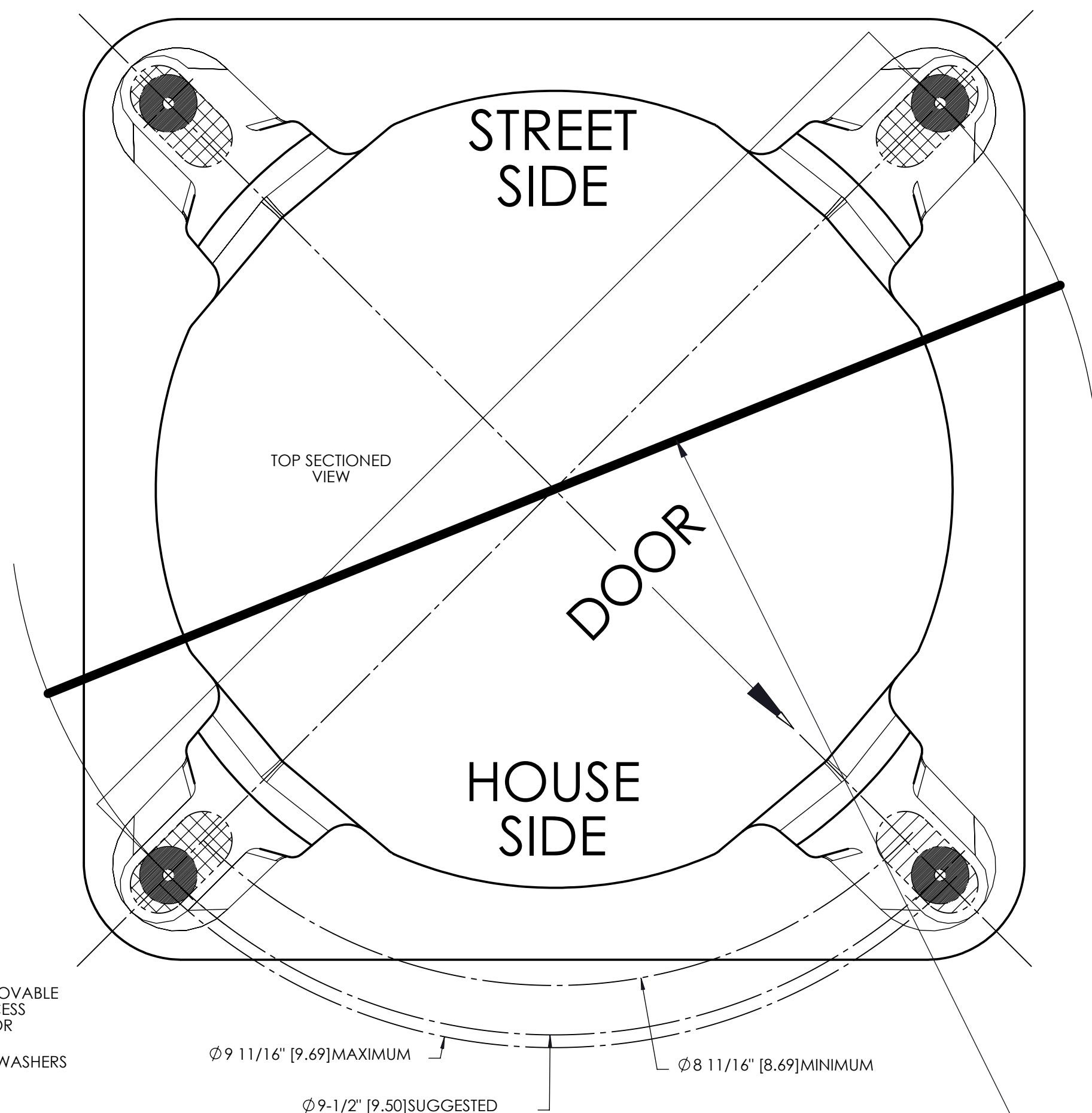


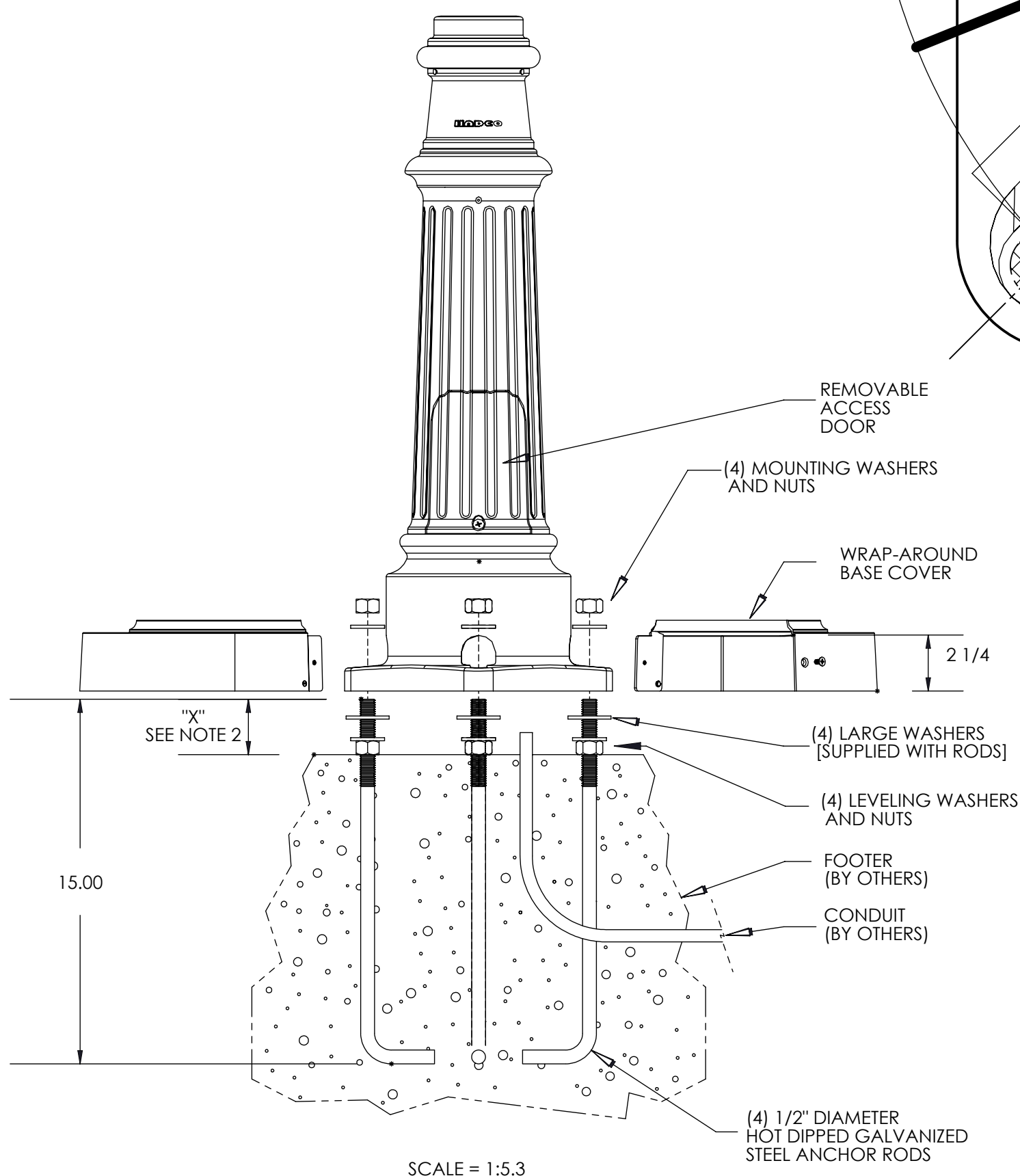
SINGLE FIXTURE/ARM ORIENTATION
[SEE MATRIX BELOW FOR OTHER OPTIONS]



PLACE LARGE WASHER BETWEEN SMALL WASHER & POST BASE



VERIFY BOLD LINE IS 9.5\"/>



SCALE = 1:5.3

MULTIPLE FIXTURE OPTIONS

ILLUSTRATIONS BELOW ARE BASED UPON SINGLE FIXTURE / ARM ORIENTATION AS SHOWN IN FOOT PRINT DRAWING ABOVE.

FIXTURE CODE	FIXTURES/POST	ILLUSTRATION
OPTION #1	SINGLE	
OPTION #2	2 @ 180°	
OPTION #3	3 @ 90°	
OPTION #4	4 @ 90°	
OPTION #5	2 @ 90°	
OPTION #6	3 @ 120°	

ALL OPTIONS MAY NOT BE AVAILABLE. ENSURE ACTUAL LOADING IS BELOW EPA STRENGTH OF POLE FOR PARTICULAR HEIGHT AND WIND ZONE.

NOTES:

- SUGGESTED BOLT CIRCLE: 9 1/2" DIAMETER
MAXIMUM BOLT CIRCLE: 9 11/16" DIAMETER
MINIMUM BOLT CIRCLE: 8 11/16" DIAMETER
- PHILIPS STRONGLY RECOMMENDS USING LEVELING NUTS TO MOUNT THE POST BASE. IF FOUNDATION IS NOT LEVEL, INCREASE "X" DIMENSION ACCORDINGLY WHEN USING LEVELING NUTS WITH WASHERS.

X = 1 5/8" WITHOUT LEVELING NUTS
X = 2 1/2" WITH LEVELING NUTS
- IF USING GROUTING TO CONCEAL GAP BETWEEN BASE AND FOUNDATION, ALLOW FOR WATER DRAINAGE.

	<small>CONFIDENTIAL: This drawing is confidential and proprietary to Signify Holdings and may not be reproduced in whole or in part without the express written consent of Signify Holdings. © 2018 Signify Holdings. All rights reserved.</small>		TITLE: TEMP.AR,P1500,[NEW]
	<small>UNLESS OTHERWISE SPECIFIED: *ALL DIMENSIONS ARE IN INCHES. *ALL THREADS ARE UNC-2B OR UNF-2B AFTER COATING. *ALL THREADS ARE TO BE VERIFIED WITH A THREAD GAGE.</small>	DRAWN BY: J WOJTKOWIAK CHECKED BY: B. DORON APPR BY: M. S. PRESSEL	DATE: 2/27/03 DATE: 8/4/09 DATE: 7/1/03
* DO NOT SCALE THIS DRAWING *		EF-04-01-11 Rev.09 SCALE 1:1 SHEET 1 OF 1	PART NO: T01000575