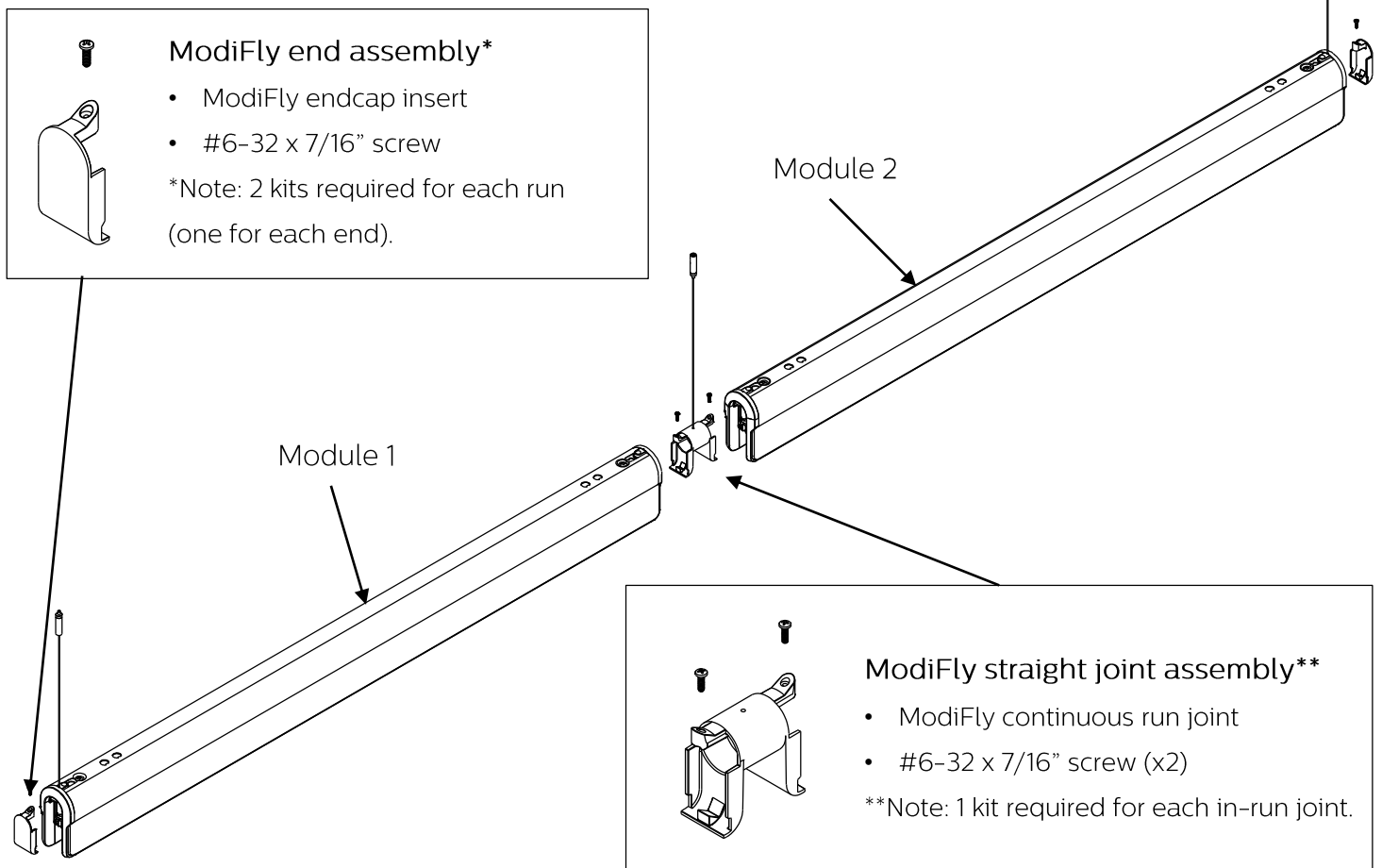




System Overview

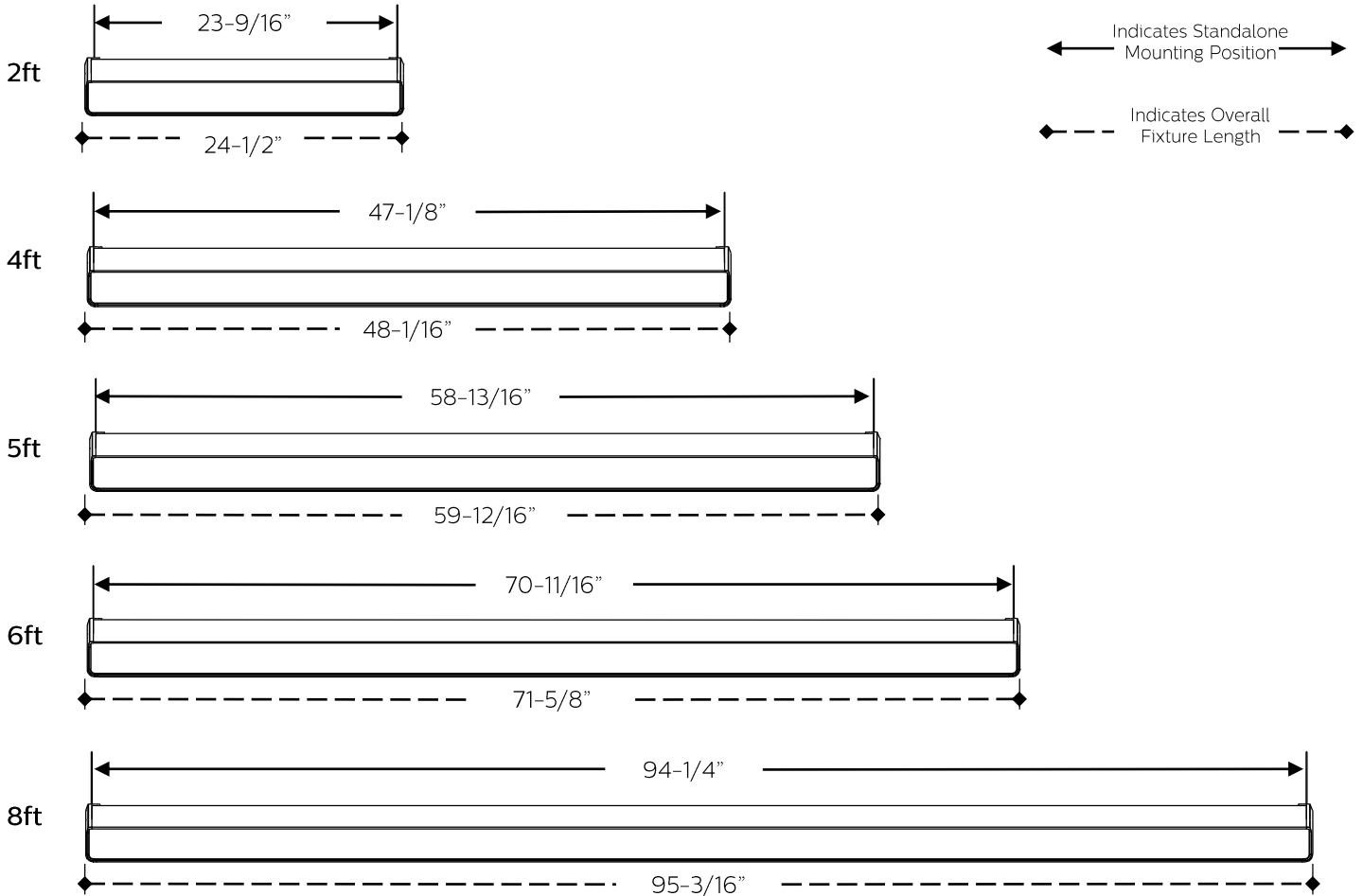
These instructions review how to install ModiFly suspended fixtures. ModiFly 2ft, 4ft, 5ft, 6ft, and 8ft modules can be installed as individual standalone units, or they can be joined together to create continuous runs. The graphic below shows the components required to install a typical run of ModiFly suspended fixtures.



TOOLS REQUIRED: Phillips screwdriver, Flat-head screwdriver, #2 Robertson screwdriver (optional)

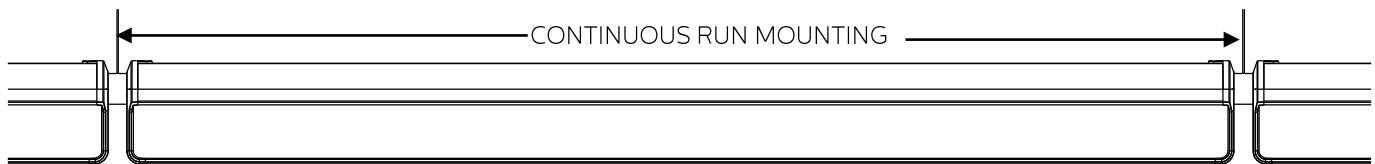
Module Lengths and Standalone Mounting Points

ModiFly suspended systems come in 2ft, 4ft, 5ft, 6ft and 8ft modules. Standalone mounting points and overall module lengths are shown below.



Continuous Run

For continuous runs the fixture is mounted from the continuous run joint supplied in the straight joint assembly. Continuous runs with 8ft modules are designed to mount on grid.

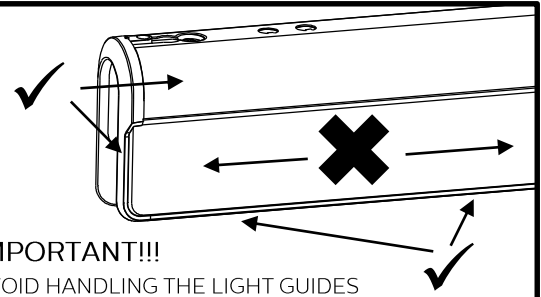


Fixture Length	2ft	4ft	5ft	6ft	8ft
CR mounting	25-5/16"	48-7/8"	60-9/16"	72-7/16"	96"

1 Prepare fixtures/install ceiling mounting components

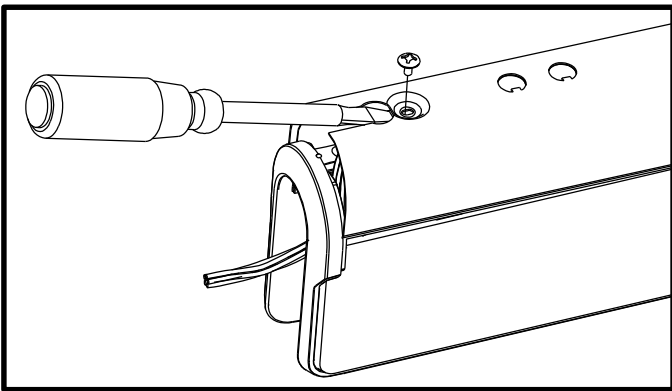
Arrange boxed fixtures on floor in specified mounting locations. Remove fixtures from boxes. Install all ceiling mounting components and grippers using separate installation instructions for Mounting (supplied).

NOTE: If conditions are dusty/dirty, recommended practice is to leave fixtures in their plastic bags until ready to remove top cap for wiring.



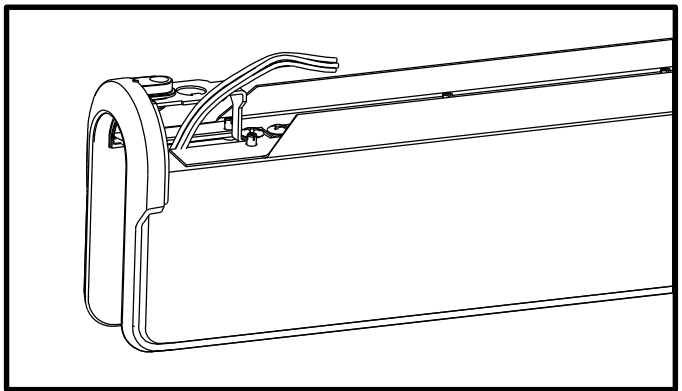
IMPORTANT!!!
AVOID HANDLING THE LIGHT GUIDES WITHOUT WEARING CLEAN GLOVES.

2 Remove Top Cap



Remove screws along top of fixture with a Phillips or Robertson screwdriver and remove the top cap with the help of a flat head screw driver. Repeat this for all fixtures prior to mounting.

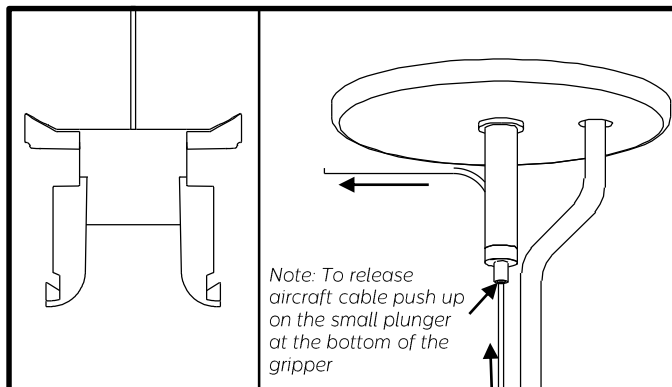
3 Feed Wires into Fixture



Feed wires into the fixture on both ends of the fixture. Do this for all fixtures on joining ends.

Note: Not required for wires at the ends of the run.

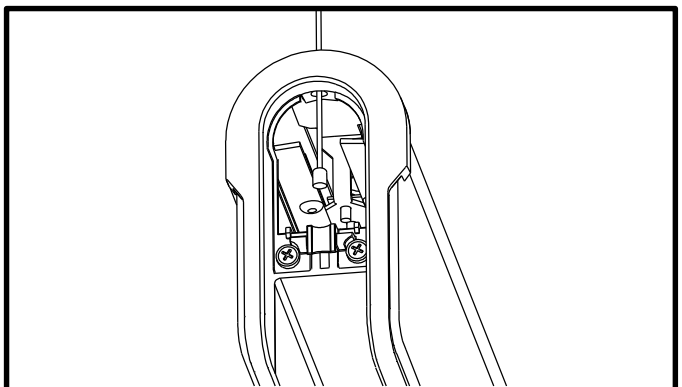
4 Mount Joints to Gripper



Insert aircraft cable through the joints and mount them in appropriate locations as supplied by layout drawing.

Mount the joints by feeding the aircraft cable through the gripper at the ceiling.

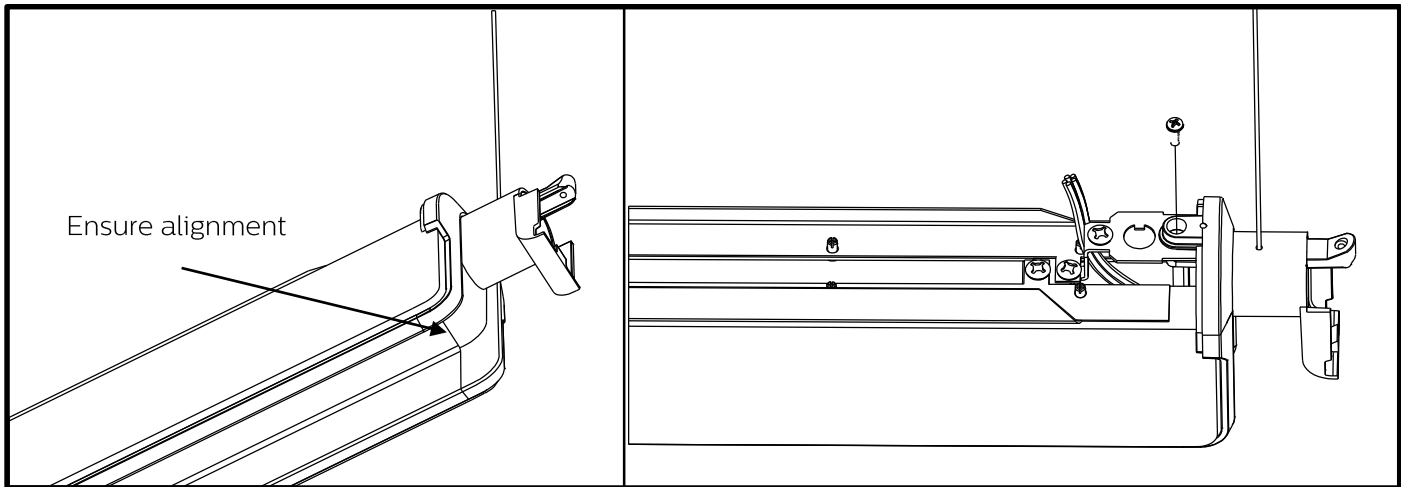
5 Insert Aircraft Cable and Mount



Insert aircraft cable into diecast cross plate. With two people, mount aircraft cable through the gripper as shown in previous step.

For standalone installation skip to step 8.

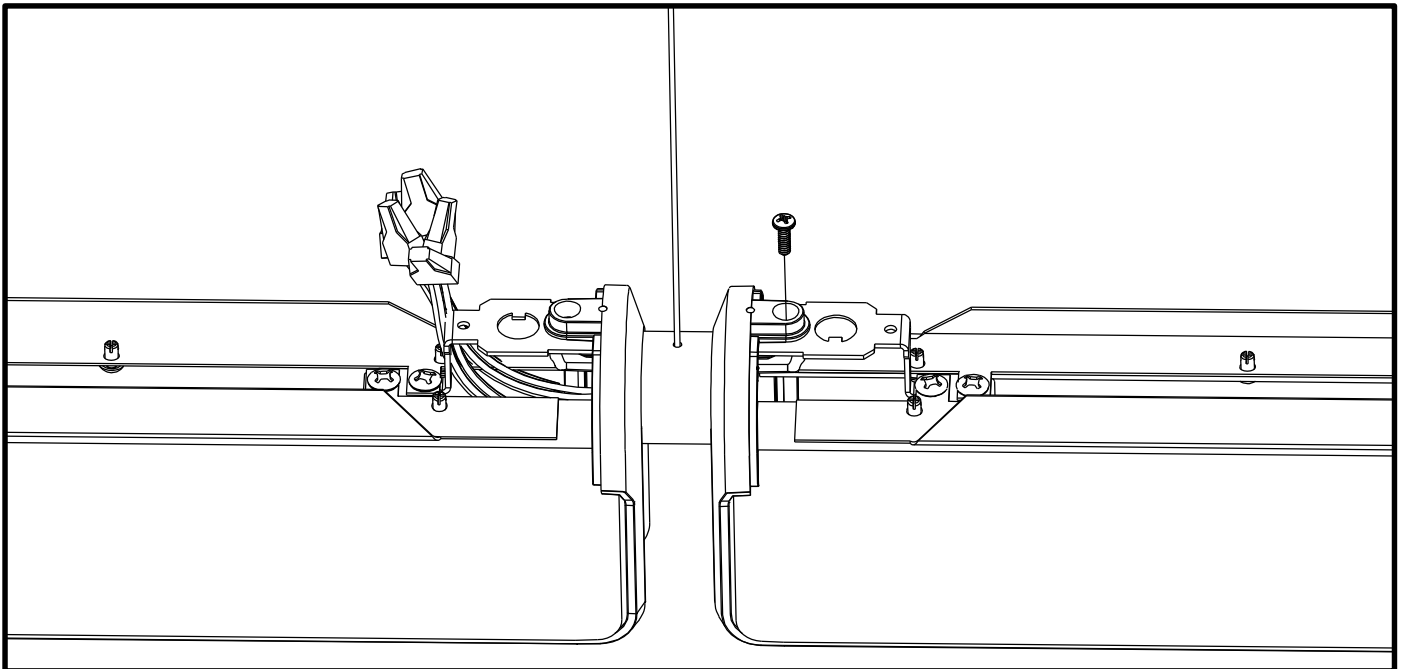
6 Mount Fixture to Joint



Mount the fixture to the continuous run joint. *Ensure continuous run joint is seated properly in the fixture.* Secure with screw provided in joint kit with a Phillips screw driver.

IMPORTANT: Do not over-tighten joiner screws. Ledalite recommends tightening by hand.

7 Continuous Run

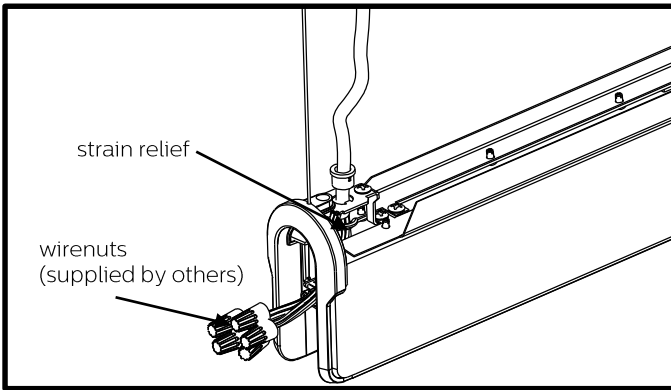


Feed wires from second fixture through the straight joint. Secure with screw provided in joint kit with a Phillips screw driver. Make power connections with supplied quick-wire connectors.

IMPORTANT: Do not over-tighten joiner screws. Ledalite recommends tightening by hand.

Repeat steps 6 and 7 for each additional fixture in row.

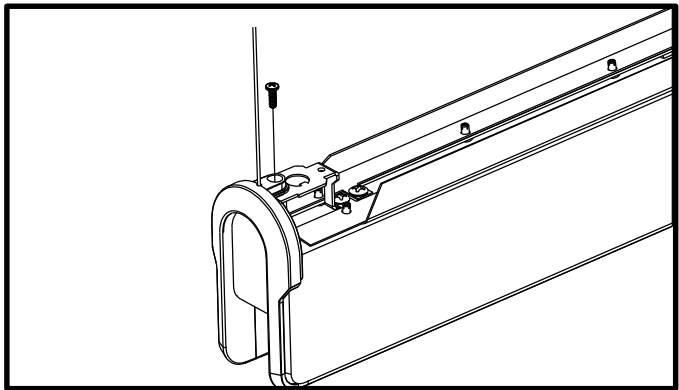
8 Complete Electrical Connections



NON-POWER LOCATIONS: Cap all wires and tuck into wire cavity.

POWER LOCATIONS: Remove ½” knockouts as required. Make power drop connection and tuck wires into fixture cavity.

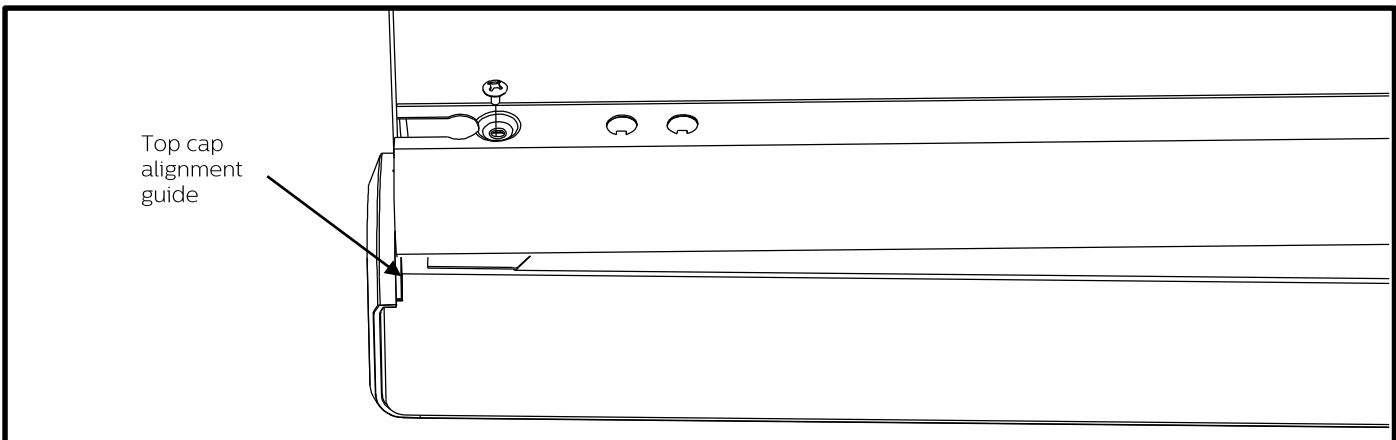
9 Close with Endcaps



Secure endcaps with screw provided with a Phillips screw driver.

IMPORTANT: Do not over-tighten joiner screws. Ledalite recommends tightening by hand.

10 Secure Top Cap



Tuck wires into fixture then replace top caps and secure with screws provided with either a Robertson #2 screwdriver or a Phillips screwdriver.

11 Leveling and Cleanup

- Level row by adjustments at the gripper (see step 4).
- Wipe light guide panel clean if required – ensuring to not introduce scratches.

